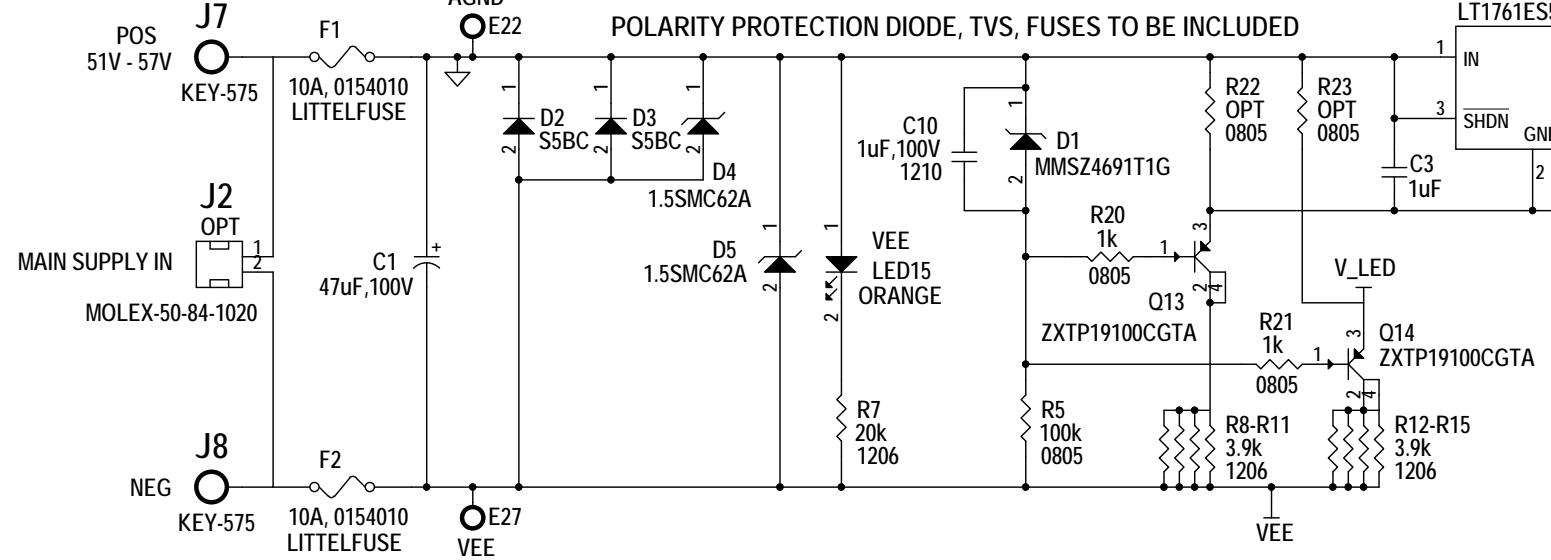
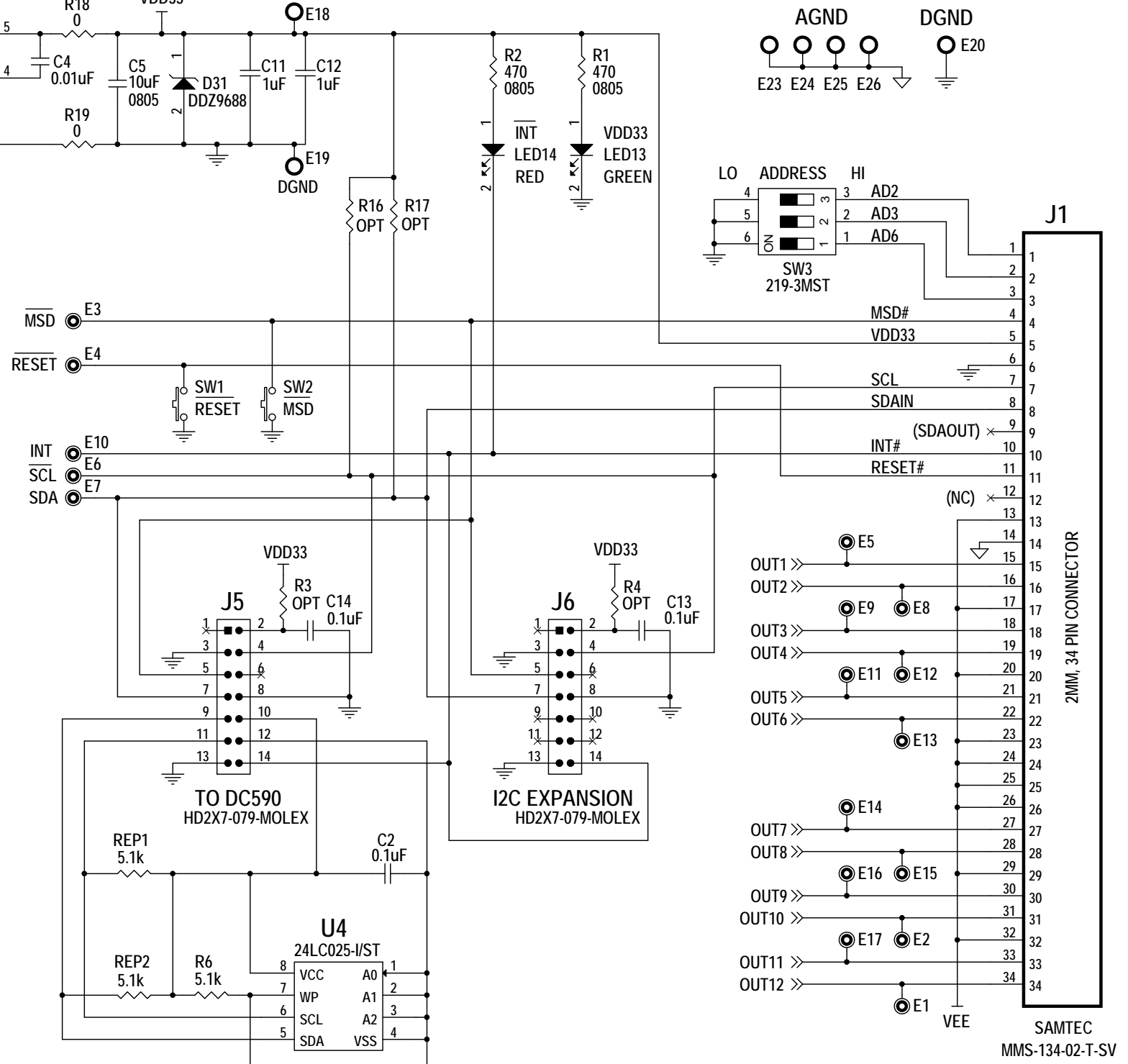


REVISION HISTORY				
ECO	REV	DESCRIPTION	APPROVED	DATE
	2	REBUILD WITH CHANGE	DILIAN R.	09-04-15

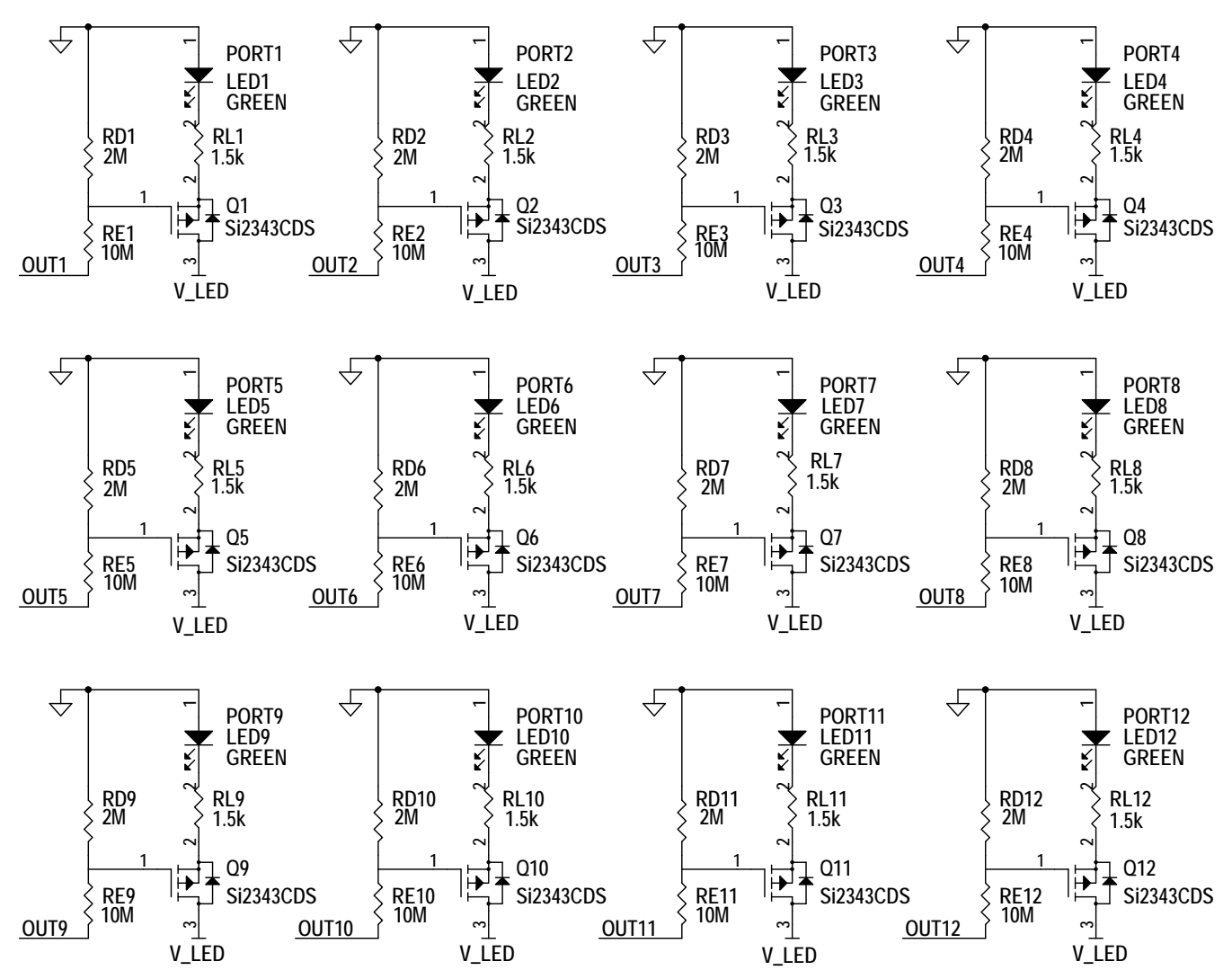
ANALOG CONNECTIONS



DIGITAL CONNECTIONS



OPTIONAL PORT LED DRIVERS

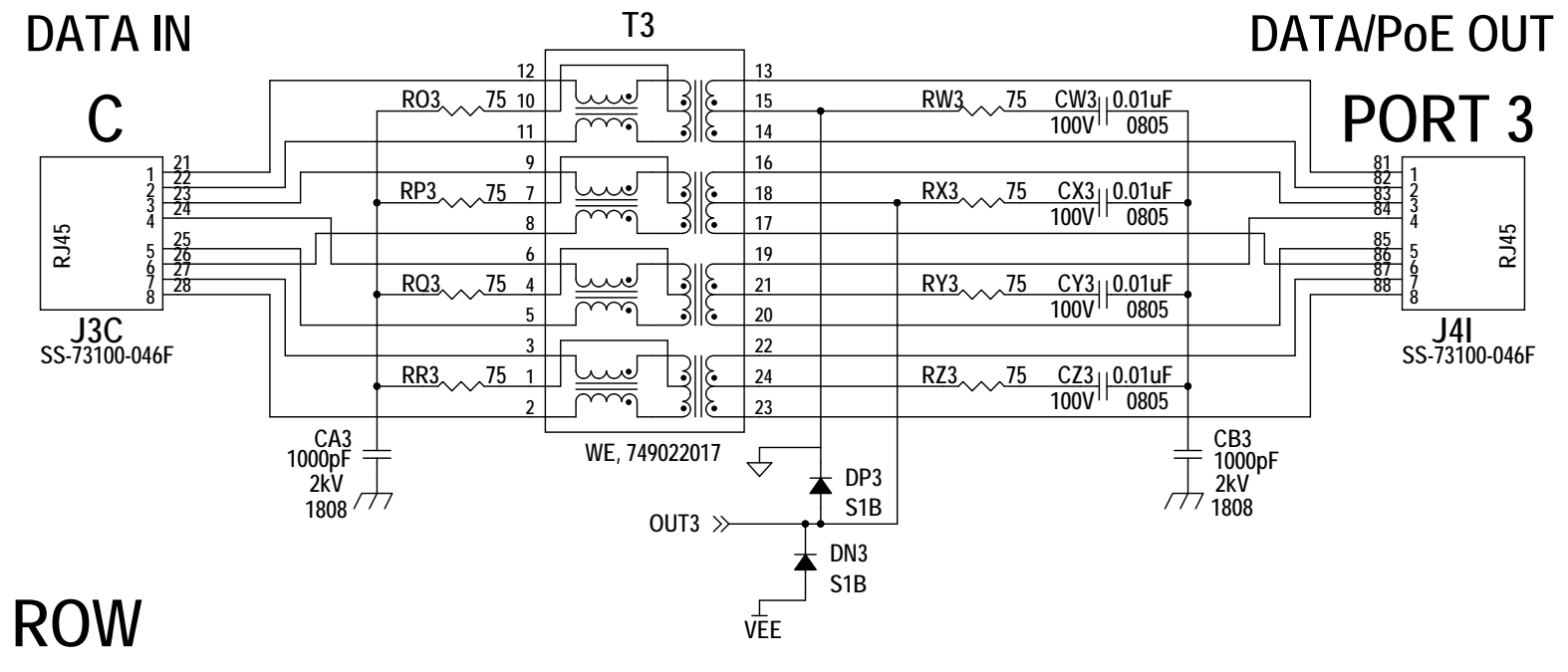
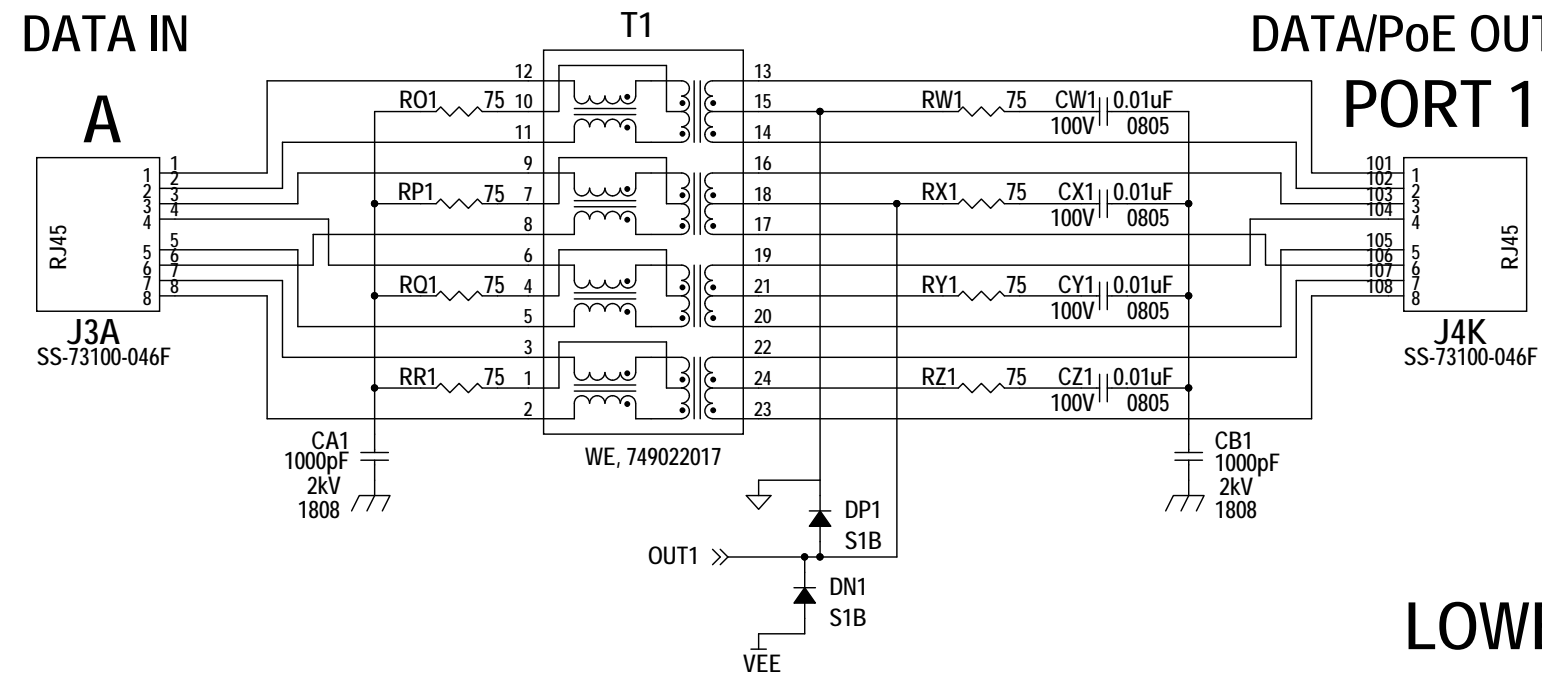
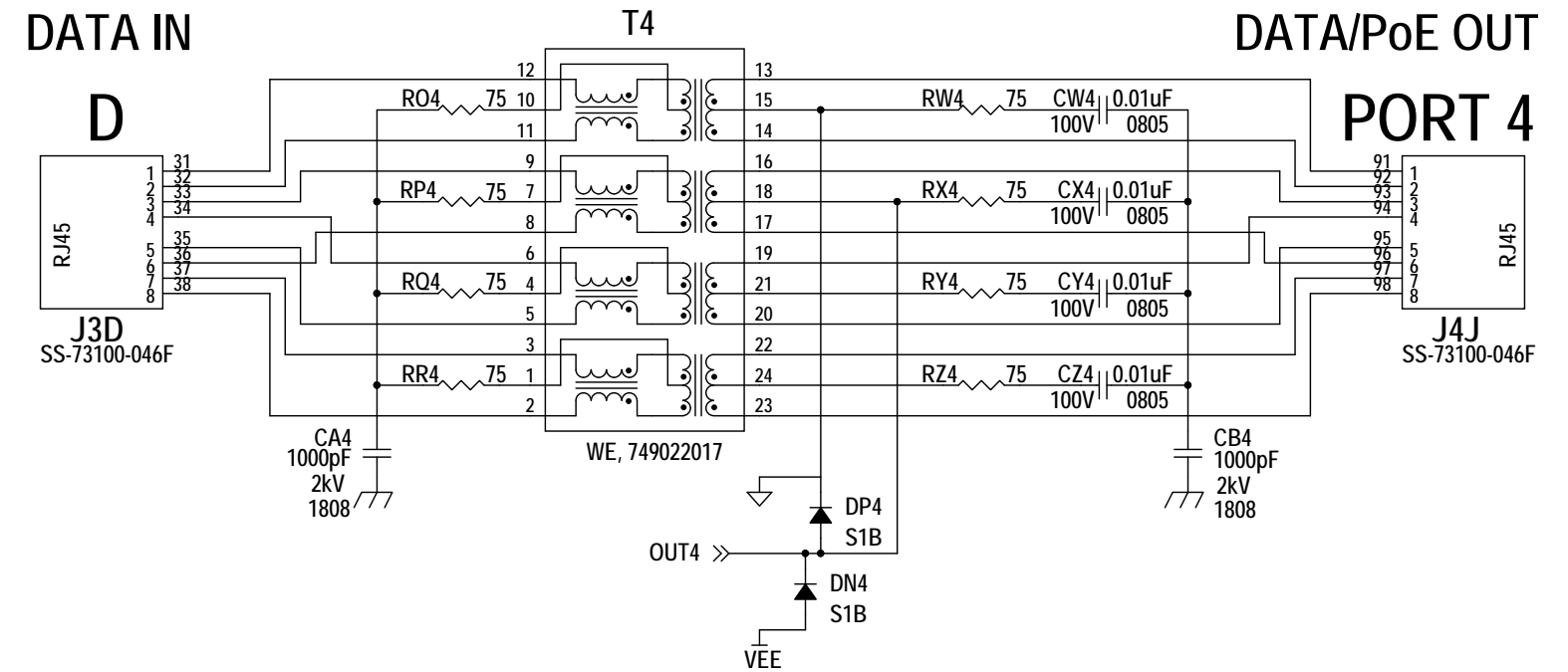
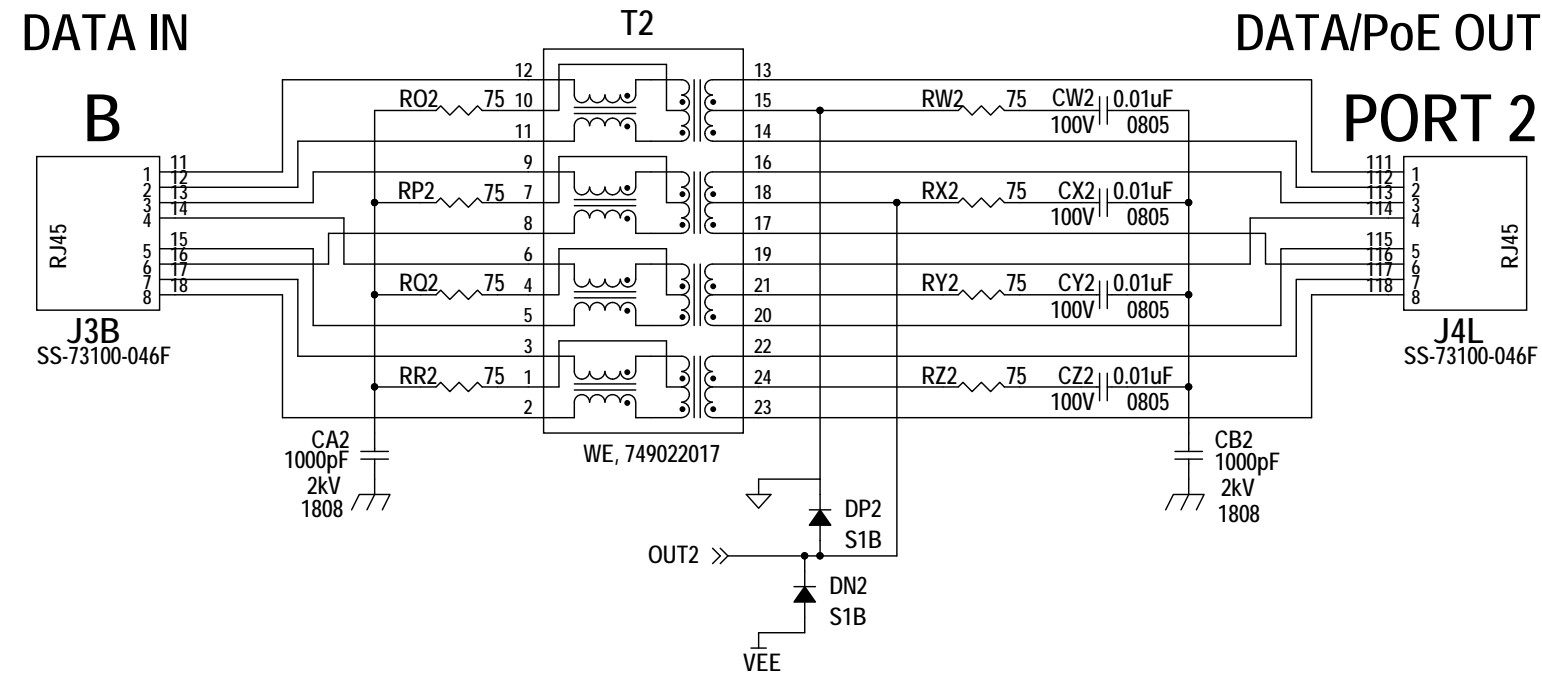


NOTE: UNLESS OTHERWISE SPECIFIED

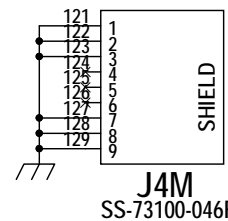
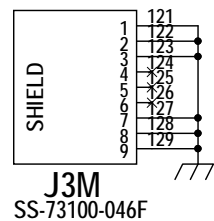
1. ALL RESISTORS AND CAPACITORS ARE 0603.
2. INSTALL SHUNTS AS SHOWN.

CUSTOMER NOTICE		APPROVALS		<p>1630 McCarthy Blvd. Milpitas, CA 95035 Phone: (408)432-1900 www.linear.com Fax: (408)434-0507 LTC Confidential-For Customer Use Only</p>	
<p>LINEAR TECHNOLOGY HAS MADE A BEST EFFORT TO DESIGN A CIRCUIT THAT MEETS CUSTOMER-SUPPLIED SPECIFICATIONS; HOWEVER, IT REMAINS THE CUSTOMER'S RESPONSIBILITY TO VERIFY PROPER AND RELIABLE OPERATION IN THE ACTUAL APPLICATION. COMPONENT SUBSTITUTION AND PRINTED CIRCUIT BOARD LAYOUT MAY SIGNIFICANTLY AFFECT CIRCUIT PERFORMANCE OR RELIABILITY. CONTACT LINEAR TECHNOLOGY APPLICATIONS ENGINEERING FOR ASSISTANCE.</p>		<p>PCB DES. KIM T.</p> <p>APP ENG. DILIAN R.</p>			
<p>THIS CIRCUIT IS PROPRIETARY TO LINEAR TECHNOLOGY AND SUPPLIED FOR USE WITH LINEAR TECHNOLOGY PARTS.</p>		<p>SCALE = NONE</p>		<p>TITLE: SCHEMATIC</p> <p>12-PORT IEEE802.3at PSE MOTHER BOARD</p>	
		<p>SIZE N/A</p>		<p>IC NO.</p>	
		<p>DATE: Friday, September 04, 2015</p>		<p>DEMO CIRCUIT 1680B</p>	
		<p>SHEET 1 OF 4</p>		<p>REV. 2</p>	

UPPER ROW

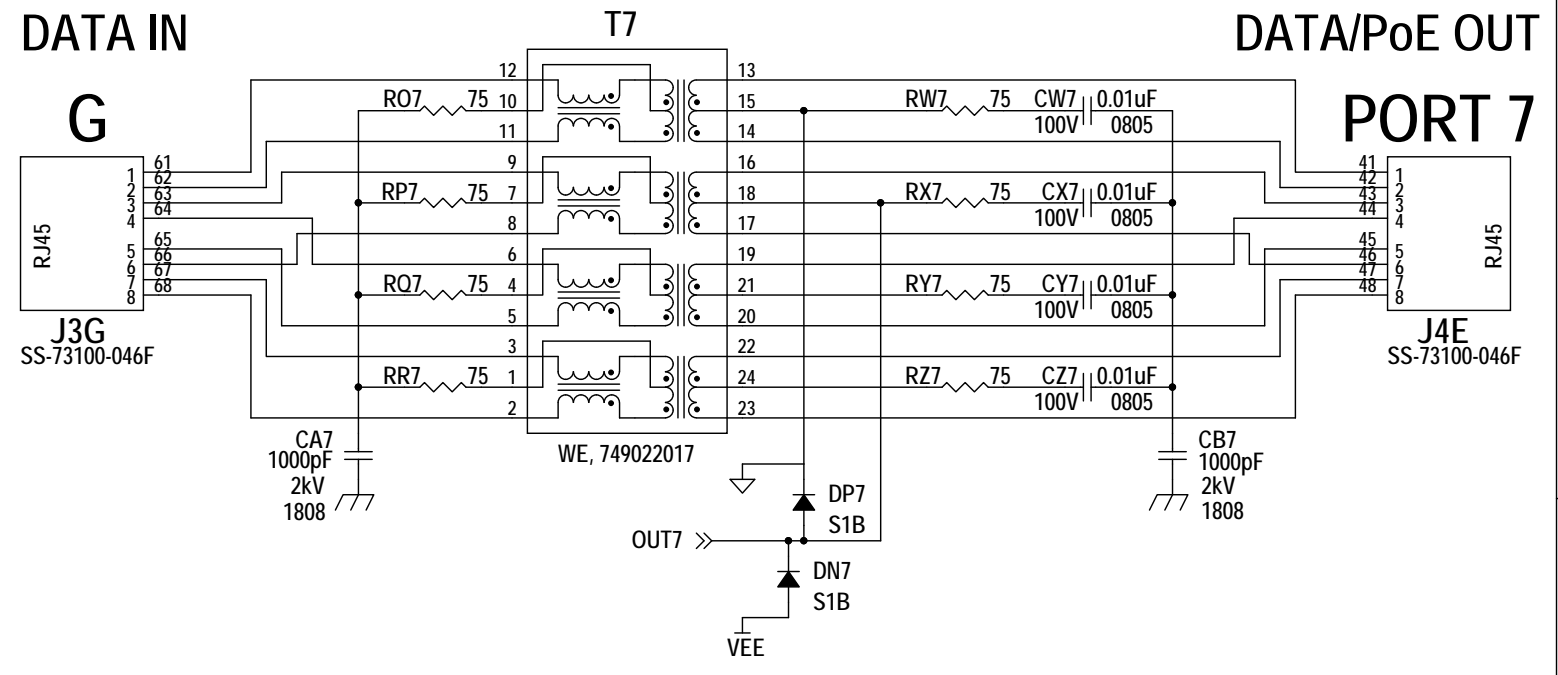
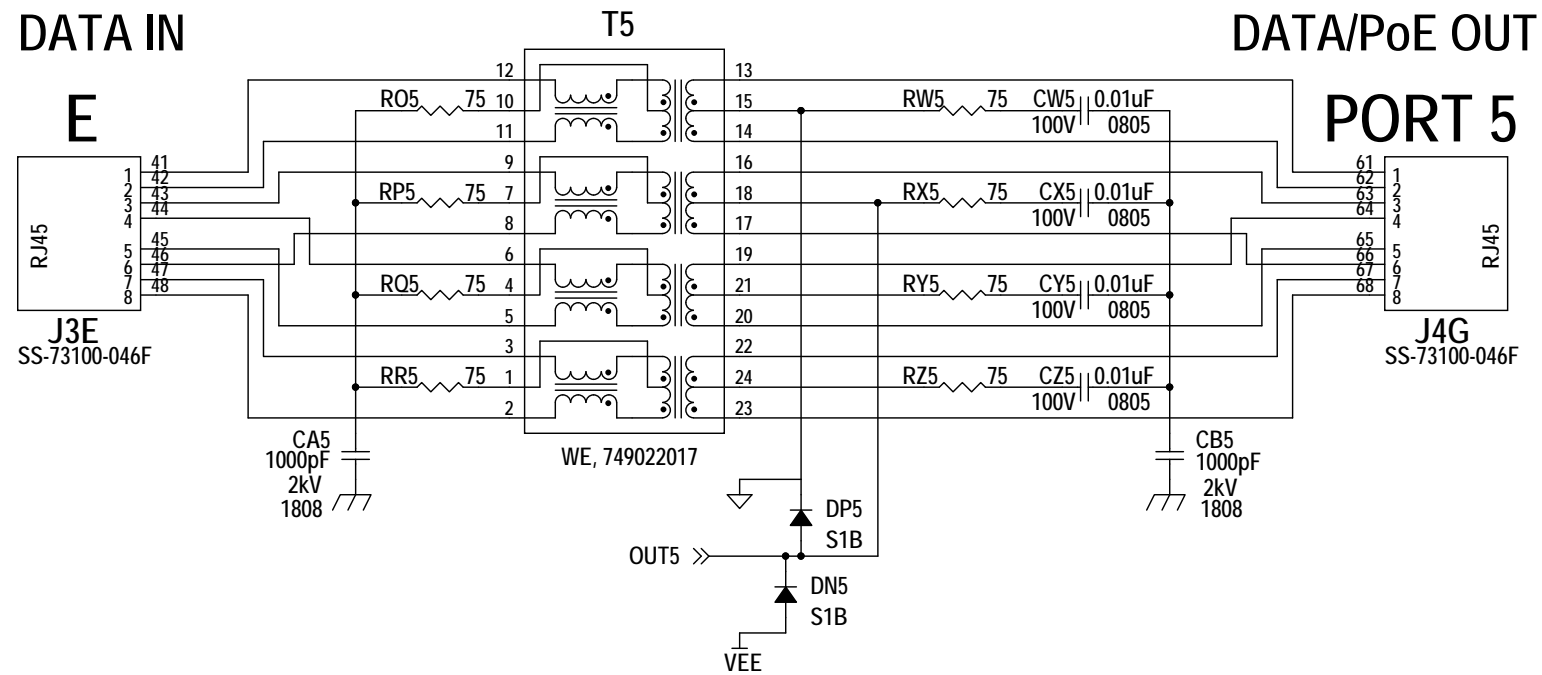
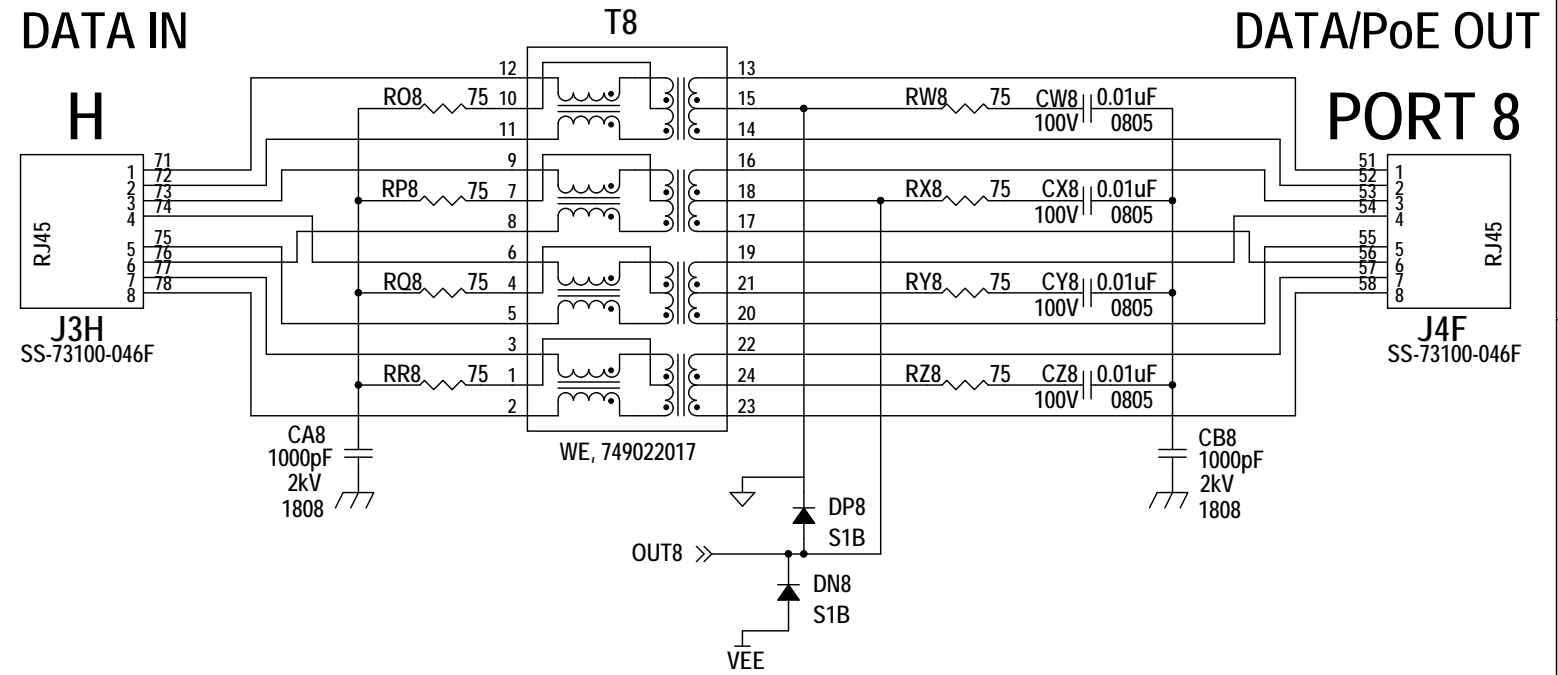
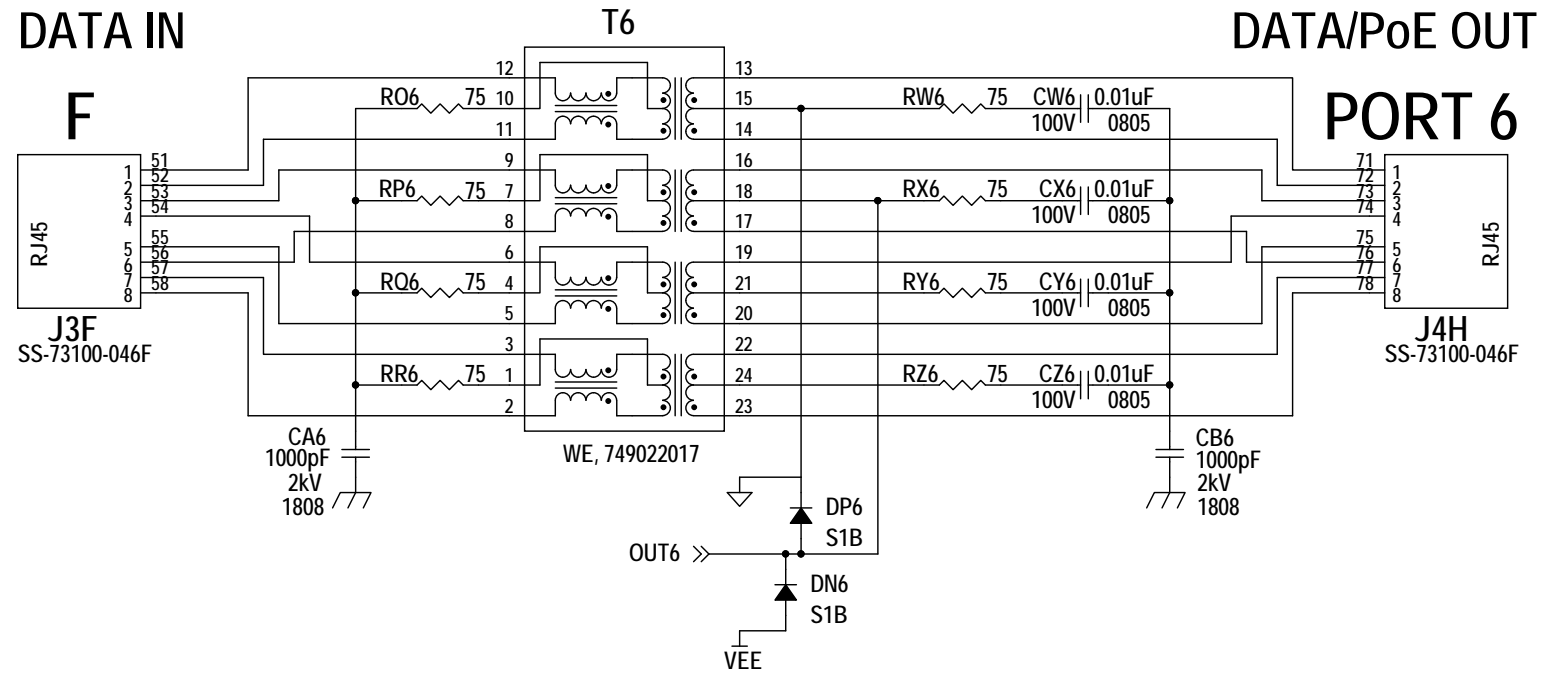


LOWER ROW



CUSTOMER NOTICE		APPROVALS		LINEAR TECHNOLOGY		1630 McCarthy Blvd. Milpitas, CA 95035 Phone: (408)432-1900 www.linear.com Fax: (408)434-0507 LTC Confidential-For Customer Use Only	
LINEAR TECHNOLOGY HAS MADE A BEST EFFORT TO DESIGN A CIRCUIT THAT MEETS CUSTOMER-SUPPLIED SPECIFICATIONS; HOWEVER, IT REMAINS THE CUSTOMER'S RESPONSIBILITY TO VERIFY PROPER AND RELIABLE OPERATION IN THE ACTUAL APPLICATION. COMPONENT SUBSTITUTION AND PRINTED CIRCUIT BOARD LAYOUT MAY SIGNIFICANTLY AFFECT PERFORMANCE OR RELIABILITY. CONTACT LINEAR TECHNOLOGY APPLICATIONS ENGINEERING FOR ASSISTANCE.		PCB DES.	KIM T.	TITLE: SCHEMATIC		REV. 2	
		APP ENG.	DILIAN R.	12-PORT IEEE802.3at PSE MOTHER BOARD		SIZE N/A	
THIS CIRCUIT IS PROPRIETARY TO LINEAR TECHNOLOGY AND SUPPLIED FOR USE WITH LINEAR TECHNOLOGY PARTS.		SCALE = NONE		DATE: Friday, September 04, 2015		SHEET 2 OF 4	
				IC NO. DEMO CIRCUIT 1680B			

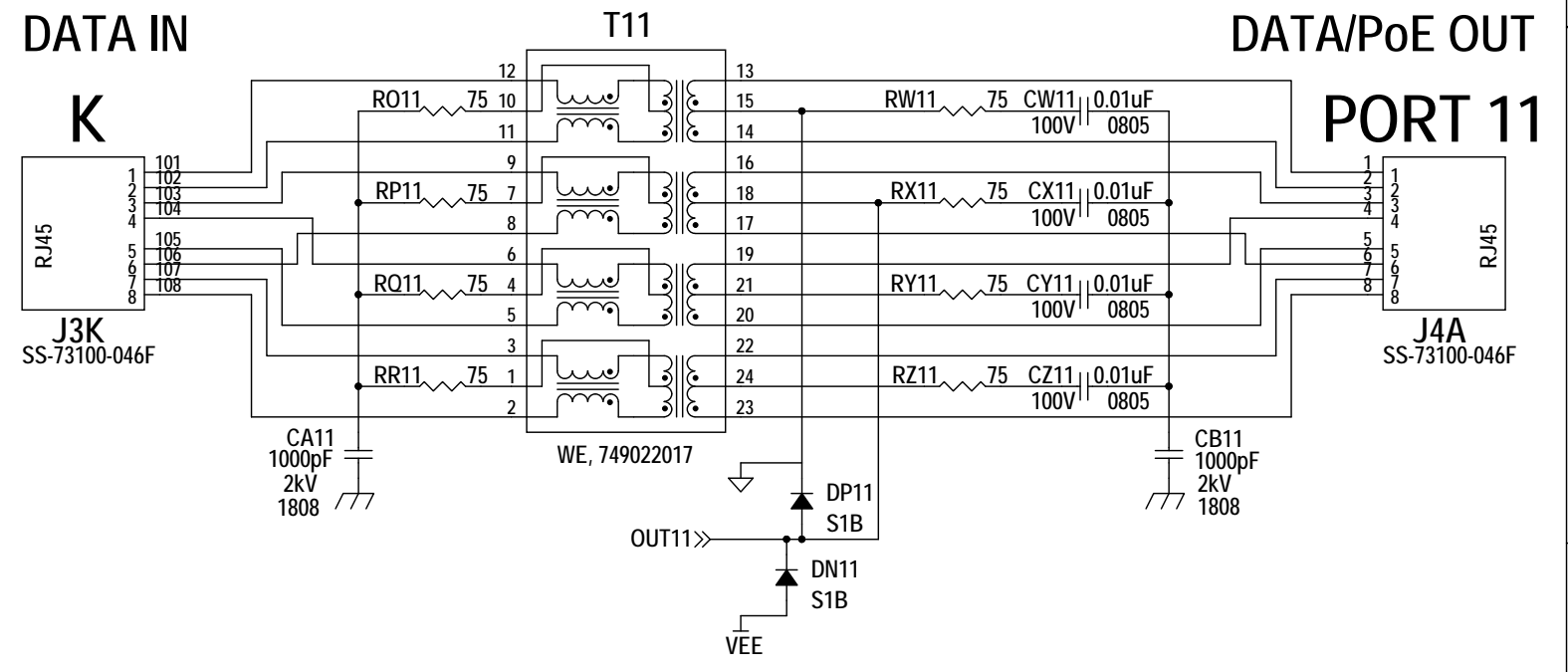
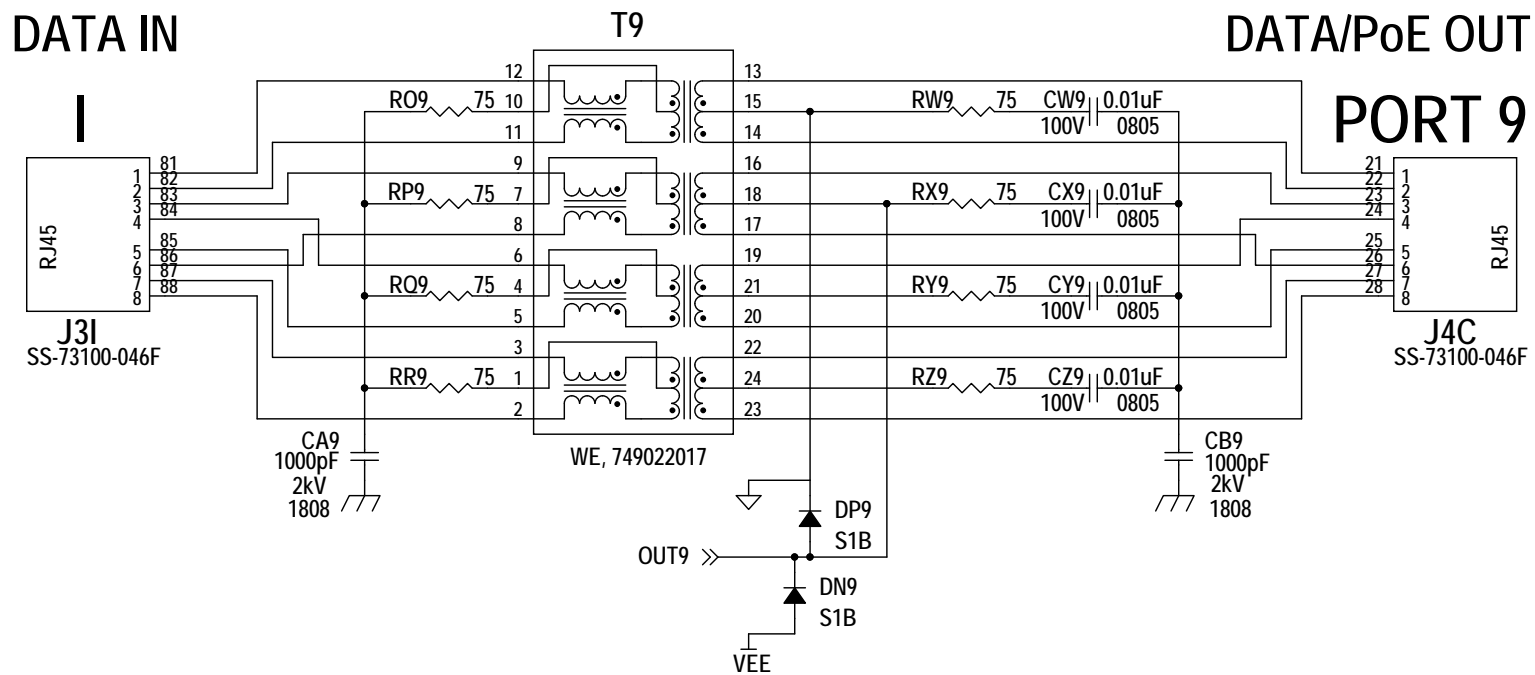
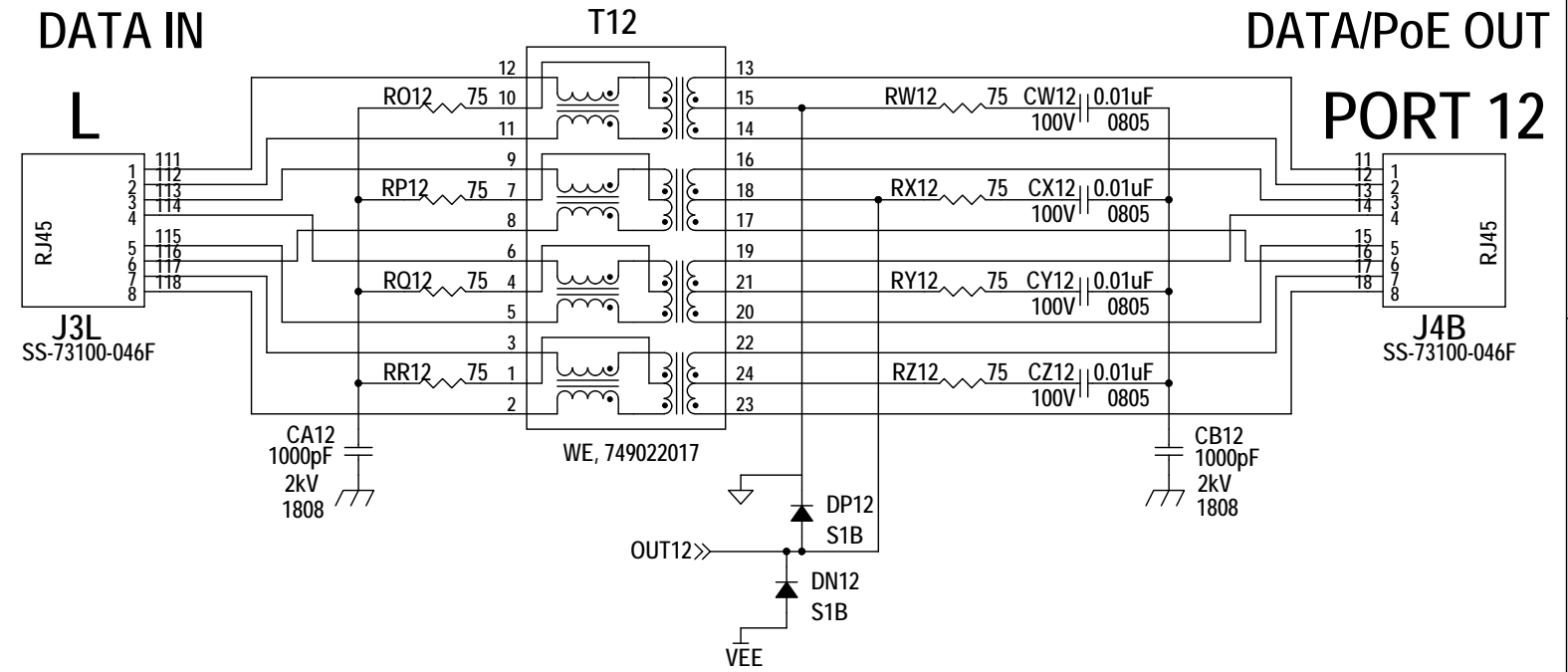
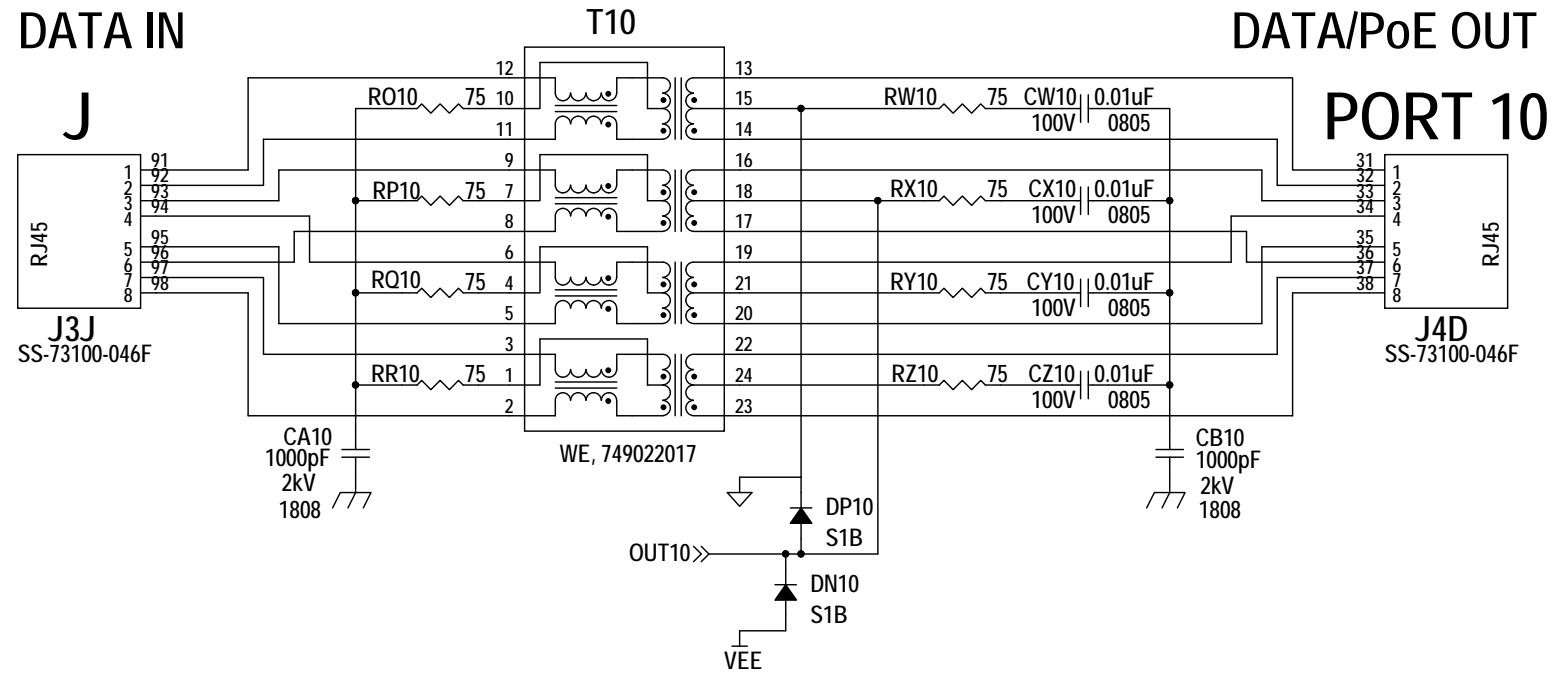
UPPER ROW



LOWER ROW

CUSTOMER NOTICE LINEAR TECHNOLOGY HAS MADE A BEST EFFORT TO DESIGN A CIRCUIT THAT MEETS CUSTOMER-SUPPLIED SPECIFICATIONS; HOWEVER, IT REMAINS THE CUSTOMER'S RESPONSIBILITY TO VERIFY PROPER AND RELIABLE OPERATION IN THE ACTUAL APPLICATION. COMPONENT SUBSTITUTION AND PRINTED CIRCUIT BOARD LAYOUT MAY SIGNIFICANTLY AFFECT PERFORMANCE OR RELIABILITY. CONTACT LINEAR TECHNOLOGY APPLICATIONS ENGINEERING FOR ASSISTANCE.		APPROVALS PCB DES. KIM T. APP ENG. DILIAN R.		 1630 McCarthy Blvd. Milpitas, CA 95035 Phone: (408)432-1900 www.linear.com Fax: (408)434-0507 LTC Confidential-For Customer Use Only	
THIS CIRCUIT IS PROPRIETARY TO LINEAR TECHNOLOGY AND SUPPLIED FOR USE WITH LINEAR TECHNOLOGY PARTS.		SCALE = NONE		TITLE: SCHEMATIC 12-PORT IEEE802.3at PSE MOTHER BOARD SIZE N/A IC NO. DEMO CIRCUIT 1680B REV. 2 DATE: Friday, September 04, 2015 SHEET 3 OF 4	

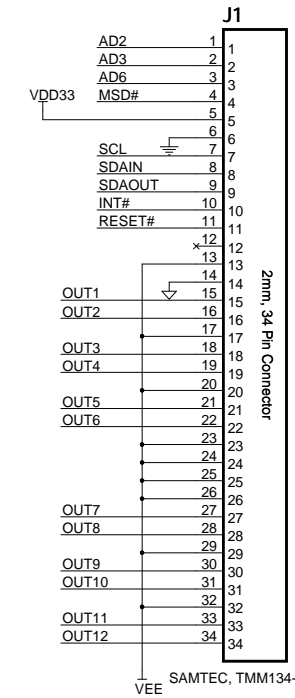
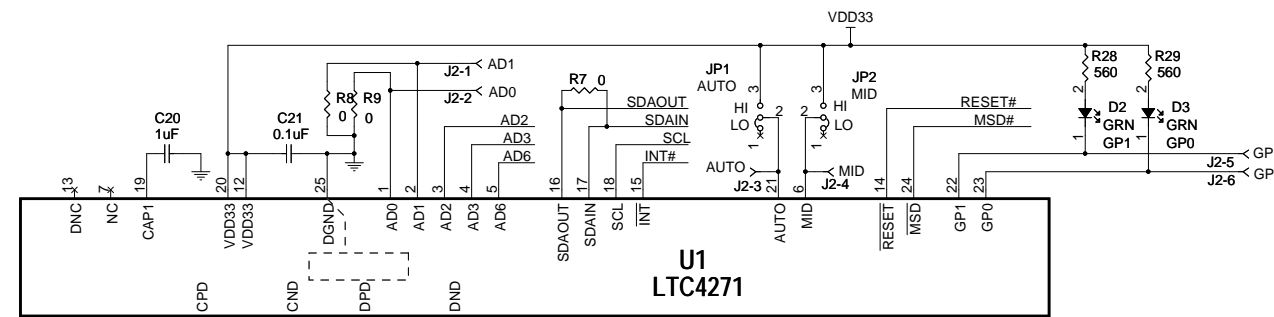
UPPER ROW



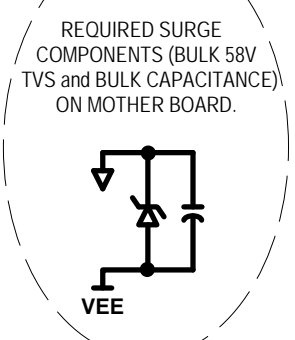
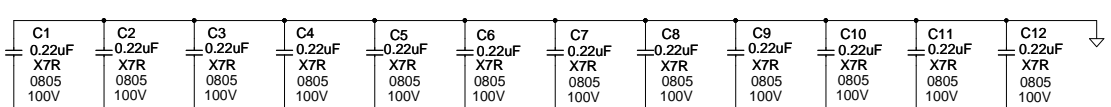
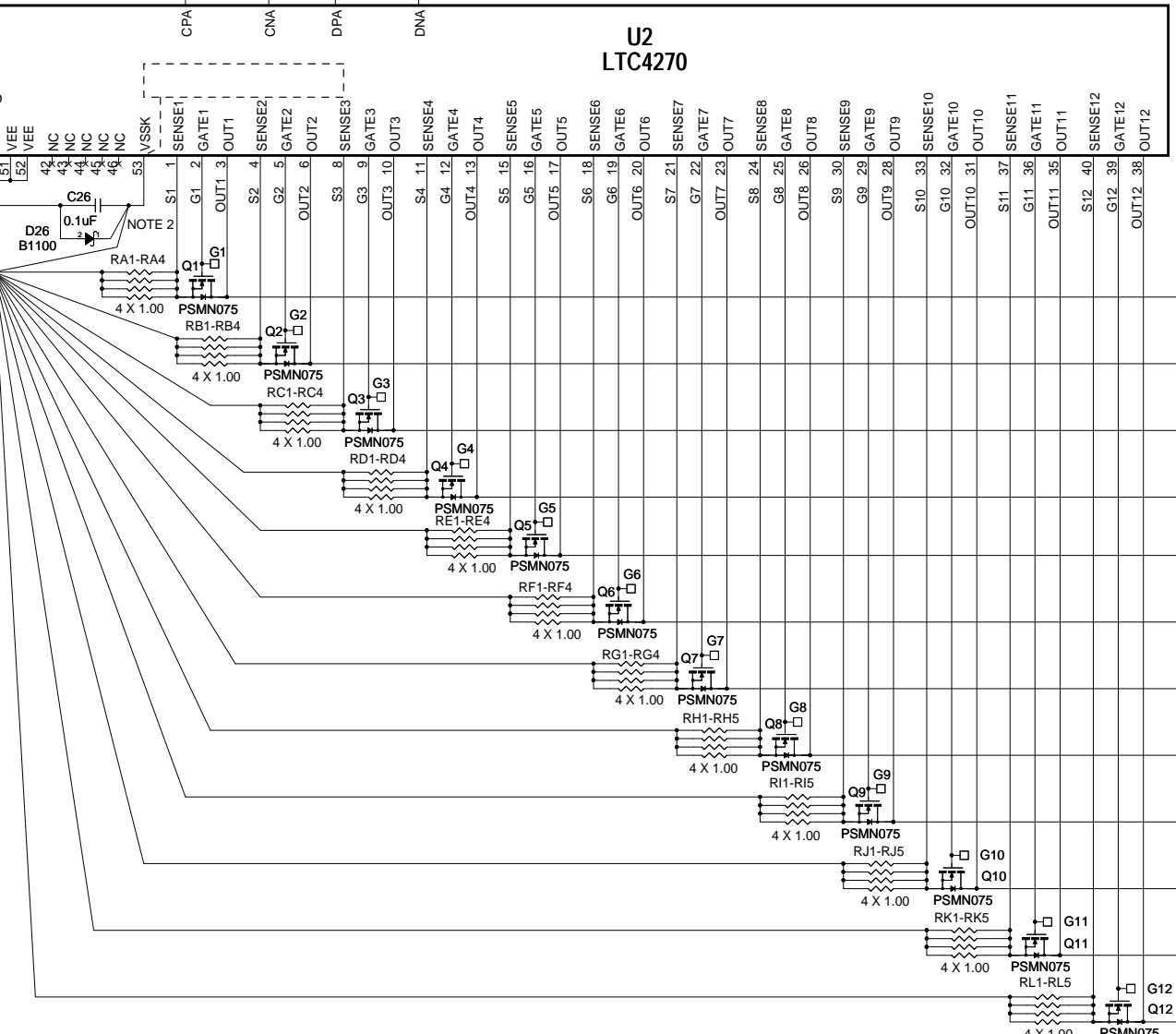
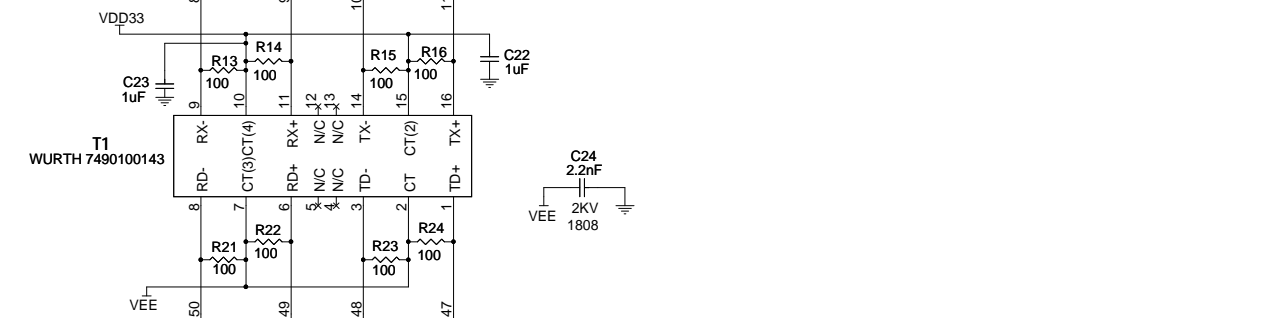
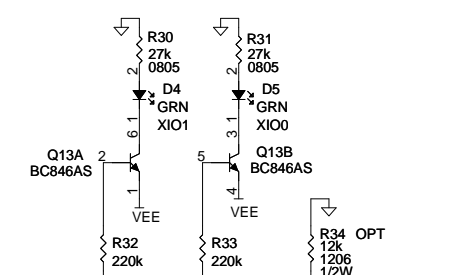
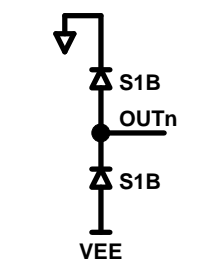
LOWER ROW

CUSTOMER NOTICE		APPROVALS		LINEAR TECHNOLOGY		1630 McCarthy Blvd. Milpitas, CA 95035 Phone: (408)432-1900 www.linear.com Fax: (408)434-0507 LTC Confidential-For Customer Use Only	
LINEAR TECHNOLOGY HAS MADE A BEST EFFORT TO DESIGN A CIRCUIT THAT MEETS CUSTOMER-SUPPLIED SPECIFICATIONS; HOWEVER, IT REMAINS THE CUSTOMER'S RESPONSIBILITY TO VERIFY PROPER AND RELIABLE OPERATION IN THE ACTUAL APPLICATION. COMPONENT SUBSTITUTION AND PRINTED CIRCUIT BOARD LAYOUT MAY SIGNIFICANTLY AFFECT PERFORMANCE OR RELIABILITY. CONTACT LINEAR TECHNOLOGY APPLICATIONS ENGINEERING FOR ASSISTANCE.				PCB DES.	KIM T.	TITLE: SCHEMATIC	
				APP ENG.	DILIAN R.	12-PORT IEEE802.3at PSE MOTHER BOARD	
						SIZE	IC NO.
						N/A	REV. 2
THIS CIRCUIT IS PROPRIETARY TO LINEAR TECHNOLOGY AND SUPPLIED FOR USE WITH LINEAR TECHNOLOGY PARTS.				SCALE = NONE		DATE:	Friday, September 04, 2015
						SHEET 4 OF 4	

REVISION HISTORY				
ECO	REV	DESCRIPTION	APPROVED	DATE
-	1	REBUILD WITH CHANGE	DILIAN R.	05-28-15



REQUIRED S1B DIODE PROTECTION SHOWN ON MOTHER BOARD. See NOTE 3



NOTE: UNLESS OTHERWISE SPECIFIED

1. ALL SENSE RESISTORS TIE TO VEE AT ONE COMMON POINT.
2. VSSK CONNECTS TO THE COMMON SENSE RESISTOR VEE POINT THROUGH AN ISOLATED KELVIN SENSE TRACE.
3. ONE S1B PROTECTION DIODE FROM VEE TO OUTn AND ONE S1B PROTECTION DIODE FROM OUTn TO AGND SHOWN ON MOTHER BOARD.
4. ALL RESISTORS ARE IN 0603. ALL CAPACITORS ARE IN 0603.

CUSTOMER NOTICE LINEAR TECHNOLOGY HAS MADE A BEST EFFORT TO DESIGN A CIRCUIT THAT MEETS CUSTOMER-SUPPLIED SPECIFICATIONS. HOWEVER, IT REMAINS THE CUSTOMER'S RESPONSIBILITY TO VERIFY PROPER AND RELIABLE OPERATION IN THE ACTUAL APPLICATION. COMPONENT SUBSTITUTION AND PRINTED CIRCUIT BOARD LAYOUT MAY SIGNIFICANTLY AFFECT CIRCUIT PERFORMANCE OR RELIABILITY. CONTACT LINEAR TECHNOLOGY APPLICATIONS ENGINEERING FOR ASSISTANCE.		APPROVALS PCB DES: KIM T. APP ENG: DILIAN R.		LINEAR TECHNOLOGY 1630 McCarthy Blvd. Milpitas, CA 95035 Phone: (408) 432-1900 www.linear.com Fax: (408) 434-6507 LTC Confidential-For Customer Use Only	
THIS CIRCUIT IS PROPRIETARY TO LINEAR TECHNOLOGY AND SUPPLIED FOR USE WITH LINEAR TECHNOLOGY PARTS.		SCALE = NONE		DATE: 05/28/2015, 11:48 AM	
TITLE: SCHEMATIC		12-PORT PSE DAUGHTER CARD WITH DIGITAL ISOLATION		REV. 1	
SIZE: N/A		IC NO: LTC4270BIUKG, LTC4271IUF		DEMO CIRCUIT 1682B	
SHEET 1		OF 1			