

CS8190

Precision Air-Core Tach/Speedo Driver with Return to Zero

The CS8190 is specifically designed for use with air-core meter movements. The IC provides all the functions necessary for an analog tachometer or speedometer. The CS8190 takes a speed sensor input and generates sine and cosine related output signals to differentially drive an air-core meter.

Many enhancements have been added over industry standard tachometer drivers such as the CS289 or LM1819. The output utilizes differential drivers which eliminates the need for a zener reference and offers more torque. The device withstands 60 V transients which decreases the protection circuitry required. The device is also more precise than existing devices allowing for fewer trims and for use in a speedometer.

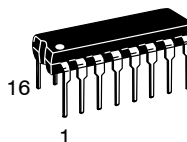
Features

- Direct Sensor Input
- High Output Torque
- Low Pointer Flutter
- High Input Impedance
- Overvoltage Protection
- Return to Zero
- Internally Fused Leads in PDIP-16 and SO-20W Packages
- Pb-Free Packages are Available*

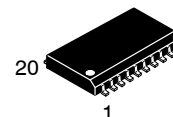


ON Semiconductor®

<http://onsemi.com>

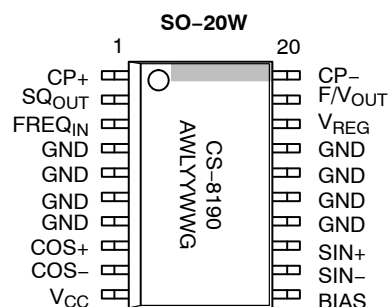
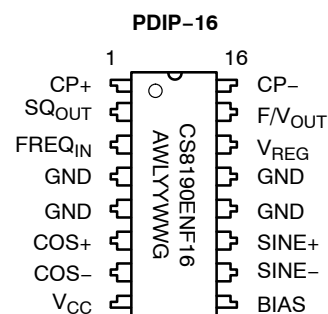


PDIP-16
NF SUFFIX
CASE 648



SO-20W
DWF SUFFIX
CASE 751D

PIN CONNECTIONS AND MARKING DIAGRAM



- A = Assembly Location
- WL = Wafer Lot
- YY = Year
- WW = Work Week
- G = Pb-Free Package

ORDERING INFORMATION

See detailed ordering and shipping information in the package dimensions section on page 10 of this data sheet.

*For additional information on our Pb-Free strategy and soldering details, please download the ON Semiconductor Soldering and Mounting Techniques Reference Manual, SOLDERRM/D.

CS8190

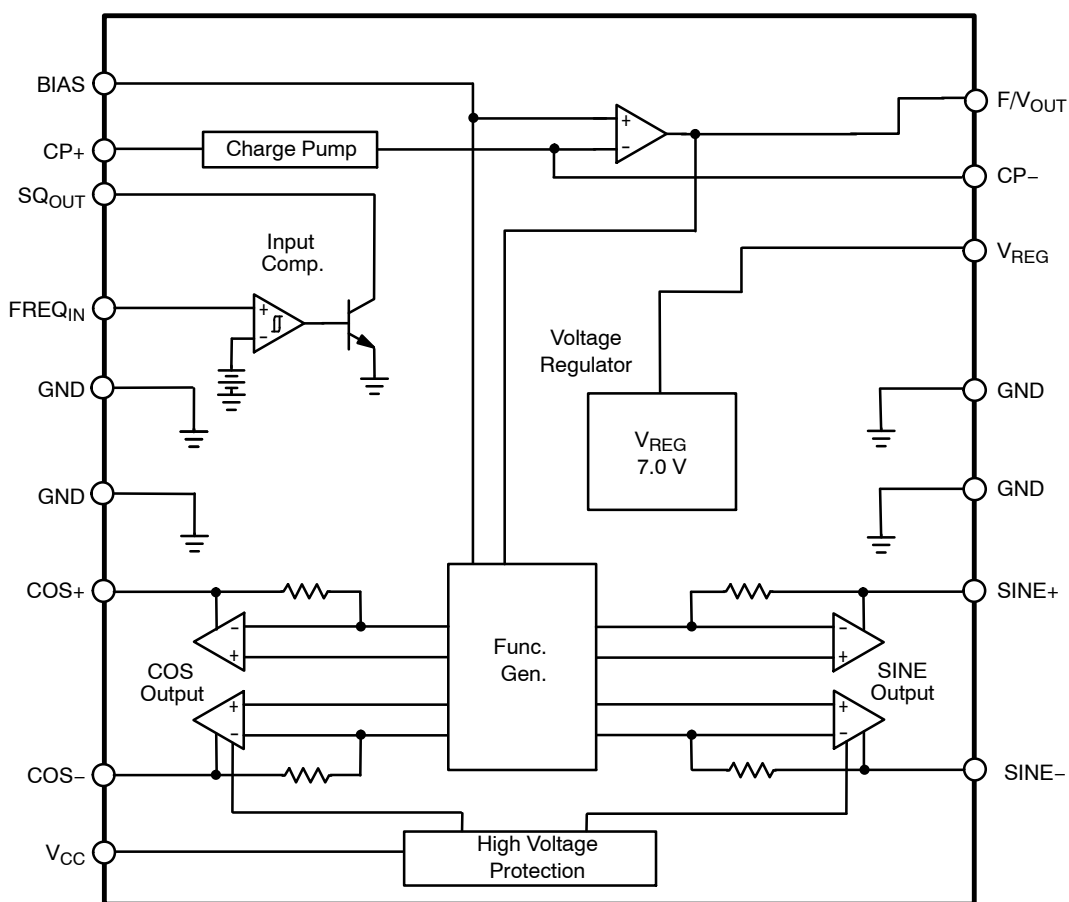


Figure 1. Block Diagram

ABSOLUTE MAXIMUM RATINGS

| Rating | Value | Unit |
|---|--|----------|
| Supply Voltage, V_{CC} | < 100 ms Pulse Transient 24 Continuous | V V |
| Operating Temperature | -40 to +105 | °C |
| Storage Temperature | -40 to +165 | °C |
| Junction Temperature | -40 to +150 | °C |
| ESD (Human Body Model) | 4.0 | kV |
| Lead Temperature Soldering: Wave Solder (through hole styles only) (Note 1) Reflow: (SMD styles only) (Note 2) | 260 peak 230 peak | °C °C |

Stresses exceeding Maximum Ratings may damage the device. Maximum Ratings are stress ratings only. Functional operation above the Recommended Operating Conditions is not implied. Extended exposure to stresses above the Recommended Operating Conditions may affect device reliability.

1. 10 seconds maximum.
2. 60 second maximum above 183°C.

CS8190

ELECTRICAL CHARACTERISTICS ($-40^{\circ}\text{C} \leq T_A \leq 85^{\circ}\text{C}$, $8.5\text{ V} \leq V_{CC} \leq 15\text{ V}$, unless otherwise specified.)

| Characteristic | Test Conditions | Min | Typ | Max | Unit |
|----------------|-----------------|-----|-----|-----|------|
|----------------|-----------------|-----|-----|-----|------|

SUPPLY VOLTAGE SECTION

| | | | | | |
|---------------------------------|--|-----|------|-----|----|
| I_{CC} Supply Current | $V_{CC} = 16\text{ V}$, -40°C , No Load | – | 50 | 125 | mA |
| V_{CC} Normal Operation Range | – | 8.5 | 13.1 | 16 | V |

INPUT COMPARATOR SECTION

| | | | | | |
|--------------------------------|--|------|------|----------|---------------|
| Positive Input Threshold | – | 1.0 | 2.0 | 3.0 | V |
| Input Hysteresis | – | 200 | 500 | – | mV |
| Input Bias Current (Note 3) | $0\text{ V} \leq V_{IN} \leq 8.0\text{ V}$ | – | –10 | –80 | μA |
| Input Frequency Range | – | 0 | – | 20 | kHz |
| Input Voltage Range | in series with $1.0\text{ k}\Omega$ | –1.0 | – | V_{CC} | V |
| Output V_{SAT} | $I_{CC} = 10\text{ mA}$ | – | 0.15 | 0.40 | V |
| Output Leakage | $V_{CC} = 7.0\text{ V}$ | – | – | 10 | μA |
| Low V_{CC} Disable Threshold | – | 7.0 | 8.0 | 8.5 | V |
| Logic 0 Input Voltage | – | 1.0 | – | – | V |

VOLTAGE REGULATOR SECTION

| | | | | | |
|------------------------|--|------|------|------|----|
| Output Voltage | – | 6.25 | 7.00 | 7.50 | V |
| Output Load Current | – | – | – | 10 | mA |
| Output Load Regulation | 0 to 10 mA | – | 10 | 50 | mV |
| Output Line Regulation | $8.5\text{ V} \leq V_{CC} \leq 16\text{ V}$ | – | 20 | 150 | mV |
| Power Supply Rejection | $V_{CC} = 13.1\text{ V}$, $1.0\text{ V}_{P/P}$, 1.0 kHz | 34 | 46 | – | dB |

CHARGE PUMP SECTION

| | | | | | |
|---------------------------|---|-------|------|-------|-------|
| Inverting Input Voltage | – | 1.5 | 2.0 | 2.5 | V |
| Input Bias Current | – | – | 40 | 150 | nA |
| V_{BIAS} Input Voltage | – | 1.5 | 2.0 | 2.5 | V |
| Non Invert. Input Voltage | $I_{IN} = 1.0\text{ mA}$ | – | 0.7 | 1.1 | V |
| Linearity (Note 4) | @ 0, 87.5, 175, 262.5, + 350 Hz | –0.10 | 0.28 | +0.70 | % |
| F/V_{OUT} Gain | @ 350 Hz, $C_{CP} = 0.0033\text{ }\mu\text{F}$, $R_T = 243\text{ k}\Omega$ | 7.0 | 10 | 13 | mV/Hz |
| Norton Gain, Positive | $I_{IN} = 15\text{ }\mu\text{A}$ | 0.9 | 1.0 | 1.1 | / |
| Norton Gain, Negative | $I_{IN} = 15\text{ }\mu\text{A}$ | 0.9 | 1.0 | 1.1 | / |

FUNCTION GENERATOR SECTION: $-40^{\circ}\text{C} \leq T_A \leq 85^{\circ}\text{C}$, $V_{CC} = 13.1\text{ V}$ unless otherwise noted

| | | | | | |
|---|--|------|------|------|-----|
| Return to Zero Threshold | $T_A = 25^{\circ}\text{C}$ | 5.2 | 6.0 | 7.0 | V |
| Differential Drive Voltage, ($V_{COS+} - V_{COS-}$) | $8.5\text{ V} \leq V_{CC} \leq 16\text{ V}$, $\theta = 0^{\circ}$ | 5.5 | 6.5 | 7.5 | V |
| Differential Drive Voltage, ($V_{SIN+} - V_{SIN-}$) | $8.5\text{ V} \leq V_{CC} \leq 16\text{ V}$, $\theta = 90^{\circ}$ | 5.5 | 6.5 | 7.5 | V |
| Differential Drive Voltage, ($V_{COS+} - V_{COS-}$) | $8.5\text{ V} \leq V_{CC} \leq 16\text{ V}$, $\theta = 180^{\circ}$ | –7.5 | –6.5 | –5.5 | V |
| Differential Drive Voltage, ($V_{SIN+} - V_{SIN-}$) | $8.5\text{ V} \leq V_{CC} \leq 16\text{ V}$, $\theta = 270^{\circ}$ | –7.5 | –6.5 | –5.5 | V |
| Differential Drive Current | $8.5\text{ V} \leq V_{CC} \leq 16\text{ V}$ | – | 33 | 42 | mA |
| Zero Hertz Output Angle | – | –1.5 | 0 | 1.5 | deg |

3. Input is clamped by an internal 12 V Zener.

4. Applies to % of full scale (270°).

CS8190

ELECTRICAL CHARACTERISTICS ($-40^{\circ}\text{C} \leq T_A \leq 85^{\circ}\text{C}$, $8.5\text{ V} \leq V_{CC} \leq 15\text{ V}$, unless otherwise specified.)

| Characteristic | Test Conditions | Min | Typ | Max | Unit |
|----------------|-----------------|-----|-----|-----|------|
|----------------|-----------------|-----|-----|-----|------|

FUNCTION GENERATOR SECTION: $-40^{\circ}\text{C} \leq T_A \leq 85^{\circ}\text{C}$, $V_{CC} = 13.1\text{ V}$ unless otherwise noted (continued)

| | | | | | |
|---|---|------|----|------|--------------|
| Function Generator Error (Note 5) Reference Figures 2, 3, 4, 5 | $V_{CC} = 13.1\text{ V}$ $\theta = 0^{\circ}$ to 305° | -2.0 | 0 | +2.0 | deg |
| Function Generator Error | $13.1\text{ V} \leq V_{CC} \leq 16\text{ V}$ | -2.5 | 0 | +2.5 | deg |
| Function Generator Error | $13.1\text{ V} \leq V_{CC} \leq 11\text{ V}$ | -1.0 | 0 | +1.0 | deg |
| Function Generator Error | $13.1\text{ V} \leq V_{CC} \leq 9.0\text{ V}$ | -3.0 | 0 | +3.0 | deg |
| Function Generator Error | $25^{\circ}\text{C} \leq T_A \leq 80^{\circ}\text{C}$ | -3.0 | 0 | +3.0 | deg |
| Function Generator Error | $25^{\circ}\text{C} \leq T_A \leq 105^{\circ}\text{C}$ | -5.5 | 0 | +5.5 | deg |
| Function Generator Error | $-40^{\circ}\text{C} \leq T_A \leq 25^{\circ}\text{C}$ | -3.0 | 0 | +3.0 | deg |
| Function Generator Gain | $T_A = 25^{\circ}\text{C}$, θ vs F/V_{OUT} | 60 | 77 | 95 | $^{\circ}/V$ |

5. Deviation from nominal per Table 1 after calibration at 0° and 270° .

PIN FUNCTION DESCRIPTION

| PACKAGE PIN # | | PIN SYMBOL | FUNCTION |
|---------------|------------|--------------------|--|
| PDIP-16 | SO-20W | | |
| 1 | 1 | CP+ | Positive input to charge pump. |
| 2 | 2 | SQ _{OUT} | Buffered square wave output signal. |
| 3 | 3 | FREQ _{IN} | Speed or RPM input signal. |
| 4, 5, 12, 13 | 4-7, 14-17 | GND | Ground Connections. |
| 6 | 8 | COS+ | Positive cosine output signal. |
| 7 | 9 | COS- | Negative cosine output signal. |
| 8 | 10 | V _{CC} | Ignition or battery supply voltage. |
| 9 | 11 | BIAS | Test point or zero adjustment. |
| 10 | 12 | SIN- | Negative sine output signal. |
| 11 | 13 | SIN+ | Positive sine output signal. |
| 14 | 18 | V _{REG} | Voltage regulator output. |
| 15 | 19 | F/V _{OUT} | Output voltage proportional to input signal frequency. |
| 16 | 20 | CP- | Negative input to charge pump. |

TYPICAL PERFORMANCE CHARACTERISTICS

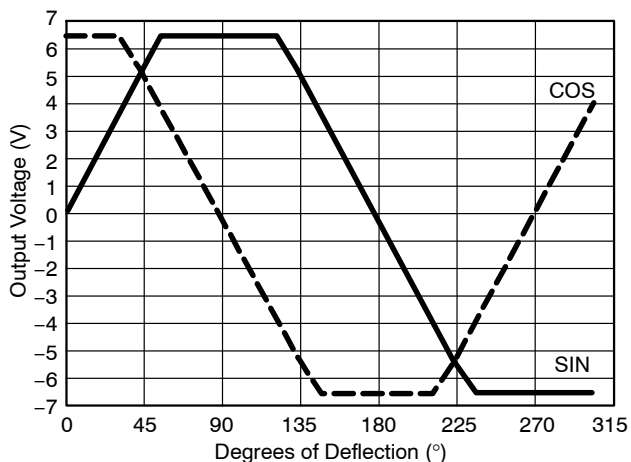


Figure 2. Function Generator Output Voltage vs. Degrees of Deflection

$$F/V_{OUT} = 2.0 V + 2.0 \times \text{FREQ} \times C_{CP} \times R_T \times (V_{REG} - 0.7 V)$$

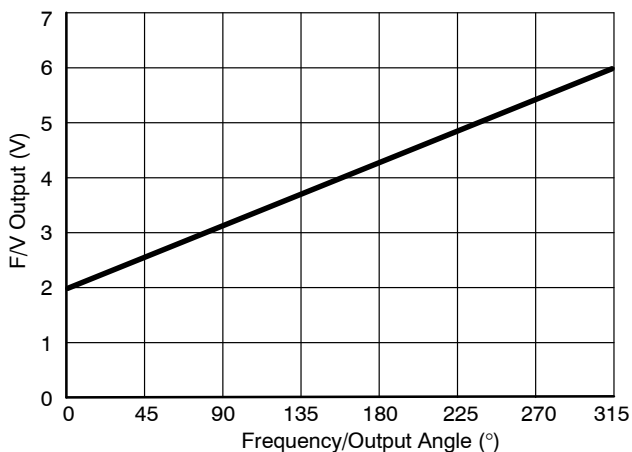


Figure 3. Charge Pump Output Voltage vs. Output Angle

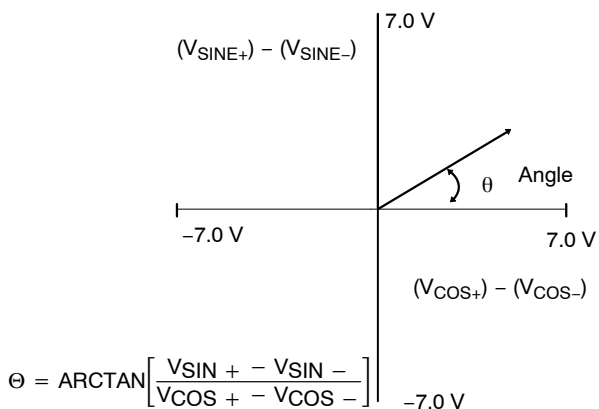


Figure 4. Output Angle in Polar Form

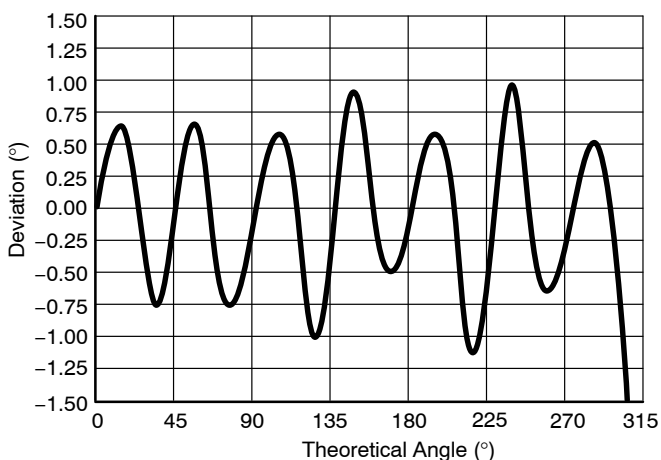


Figure 5. Nominal Output Deviation

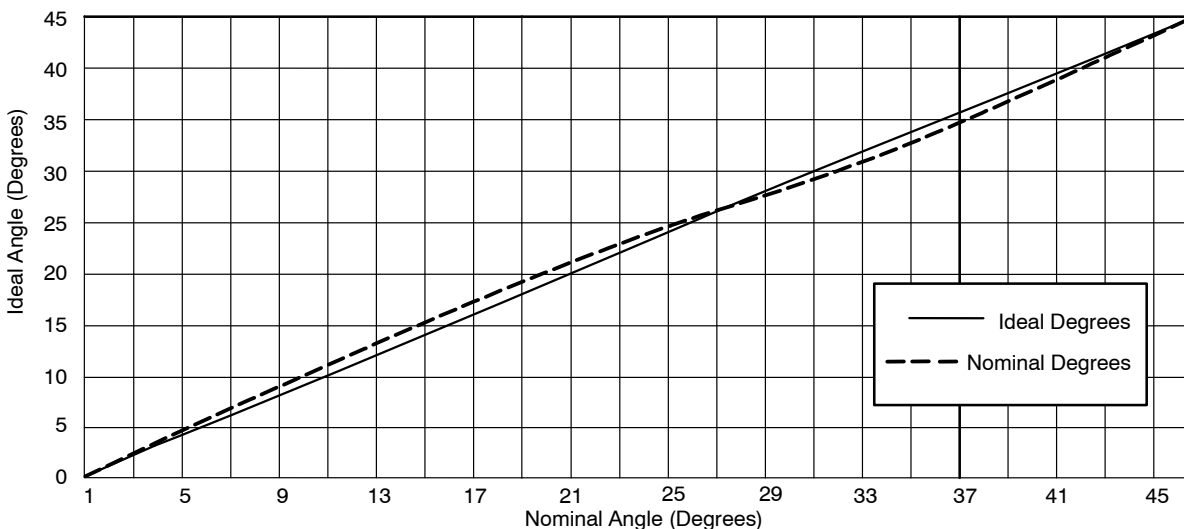


Figure 6. Nominal Angle vs. Ideal Angle (After Calibrating at 180°)

Table 1. Function Generator Output Nominal Angle vs. Ideal Angle (After Calibrating at 270°)

| Ideal θ Degrees | Nominal θ Degrees | Ideal θ Degrees | Nominal θ Degrees | Ideal θ Degrees | Nominal θ Degrees | Ideal θ Degrees | Nominal θ Degrees | Ideal θ Degrees | Nominal θ Degrees | Ideal θ Degrees | Nominal θ Degrees |
|------------------------|--------------------------|------------------------|--------------------------|------------------------|--------------------------|------------------------|--------------------------|------------------------|--------------------------|------------------------|--------------------------|
| 0 | 0 | 17 | 17.98 | 34 | 33.04 | 75 | 74.00 | 160 | 159.14 | 245 | 244.63 |
| 1 | 1.09 | 18 | 18.96 | 35 | 34.00 | 80 | 79.16 | 165 | 164.00 | 250 | 249.14 |
| 2 | 2.19 | 19 | 19.92 | 36 | 35.00 | 85 | 84.53 | 170 | 169.16 | 255 | 254.00 |
| 3 | 3.29 | 20 | 20.86 | 37 | 36.04 | 90 | 90.00 | 175 | 174.33 | 260 | 259.16 |
| 4 | 4.38 | 21 | 21.79 | 38 | 37.11 | 95 | 95.47 | 180 | 180.00 | 265 | 264.53 |
| 5 | 5.47 | 22 | 22.71 | 39 | 38.21 | 100 | 100.84 | 185 | 185.47 | 270 | 270.00 |
| 6 | 6.56 | 23 | 23.61 | 40 | 39.32 | 105 | 106.00 | 190 | 190.84 | 275 | 275.47 |
| 7 | 7.64 | 24 | 24.50 | 41 | 40.45 | 110 | 110.86 | 195 | 196.00 | 280 | 280.84 |
| 8 | 8.72 | 25 | 25.37 | 42 | 41.59 | 115 | 115.37 | 200 | 200.86 | 285 | 286.00 |
| 9 | 9.78 | 26 | 26.23 | 43 | 42.73 | 120 | 119.56 | 205 | 205.37 | 290 | 290.86 |
| 10 | 10.84 | 27 | 27.07 | 44 | 43.88 | 125 | 124.00 | 210 | 209.56 | 295 | 295.37 |
| 11 | 11.90 | 28 | 27.79 | 45 | 45.00 | 130 | 129.32 | 215 | 214.00 | 300 | 299.21 |
| 12 | 12.94 | 29 | 28.73 | 50 | 50.68 | 135 | 135.00 | 220 | 219.32 | 305 | 303.02 |
| 13 | 13.97 | 30 | 29.56 | 55 | 56.00 | 140 | 140.68 | 225 | 225.00 | | |
| 14 | 14.99 | 31 | 30.39 | 60 | 60.44 | 145 | 146.00 | 230 | 230.58 | | |
| 15 | 16.00 | 32 | 31.24 | 65 | 64.63 | 150 | 150.44 | 235 | 236.00 | | |
| 16 | 17.00 | 33 | 32.12 | 70 | 69.14 | 155 | 154.63 | 240 | 240.44 | | |

Note: Temperature, voltage and nonlinearity not included.

CIRCUIT DESCRIPTION and APPLICATION NOTES

The CS8190 is specifically designed for use with air-core meter movements. It includes an input comparator for sensing an input signal from an ignition pulse or speed sensor, a charge pump for frequency to voltage conversion, a bandgap voltage regulator for stable operation, and a function generator with sine and cosine amplifiers to differentially drive the meter coils.

From the partial schematic of Figure 7, the input signal is applied to the $FREQ_{IN}$ lead, this is the input to a high impedance comparator with a typical positive input threshold of 2.0 V and typical hysteresis of 0.5 V. The output of the comparator, SQ_{OUT} , is applied to the charge pump input CP+ through an external capacitor C_{CP} . When the input signal changes state, C_{CP} is charged or discharged through R3 and R4. The charge accumulated on C_{CP} is mirrored to C4 by the Norton Amplifier circuit comprising of Q1, Q2 and Q3. The charge pump output voltage, F/V_{OUT} , ranges from 2.0 V to 6.3 V depending on the input signal frequency and the gain of the charge pump according to the formula:

$$F/V_{OUT} = 2.0 V + 2.0 \times FREQ \times C_{CP} \times R_T \times (V_{REG} - 0.7 V)$$

R_T is a potentiometer used to adjust the gain of the F/V output stage and give the correct meter deflection. The F/V output voltage is applied to the function generator which generates the sine and cosine output voltages. The output voltage of the sine and cosine amplifiers are derived from the

on-chip amplifier and function generator circuitry. The various trip points for the circuit (i.e., 0°, 90°, 180°, 270°) are determined by an internal resistor divider and the bandgap voltage reference. The coils are differentially driven, allowing bidirectional current flow in the outputs, thus providing up to 305° range of meter deflection. Driving the coils differentially offers faster response time, higher current capability, higher output voltage swings, and reduced external component count. The key advantage is a higher torque output for the pointer.

The output angle, θ , is equal to the F/V gain multiplied by the function generator gain:

$$\theta = AF/V \times AFG,$$

where:

$$AFG = 77^\circ /V(\text{typ})$$

The relationship between input frequency and output angle is:

$$\theta = AFG \times 2.0 \times FREQ \times C_{CP} \times R_T \times (V_{REG} - 0.7 V)$$

or,

$$\theta = 970 \times FREQ \times C_{CP} \times R_T$$

The ripple voltage at the F/V converter's output is determined by the ratio of C_{CP} and C4 in the formula:

$$\Delta V = \frac{C_{CP}(V_{REG} - 0.7 V)}{C4}$$

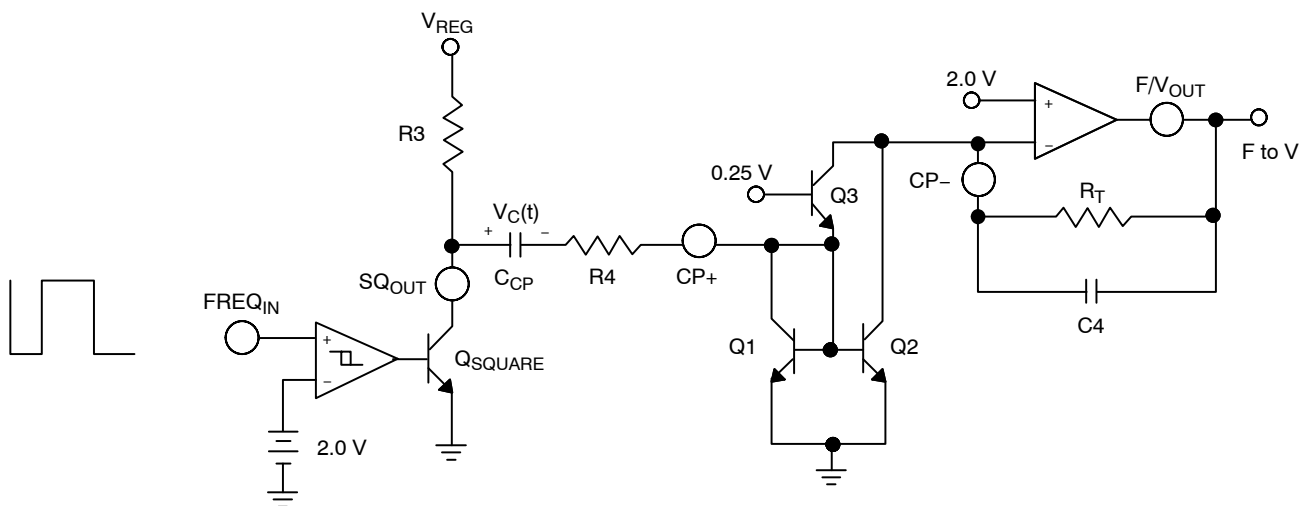


Figure 7. Partial Schematic of Input and Charge Pump

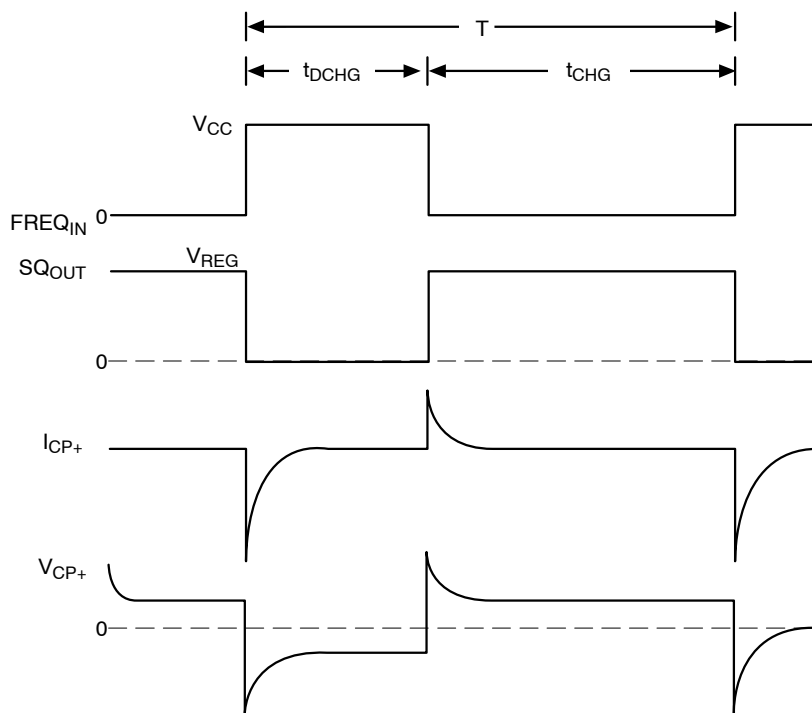


Figure 8. Timing Diagram of FREQ_IN and I_CP

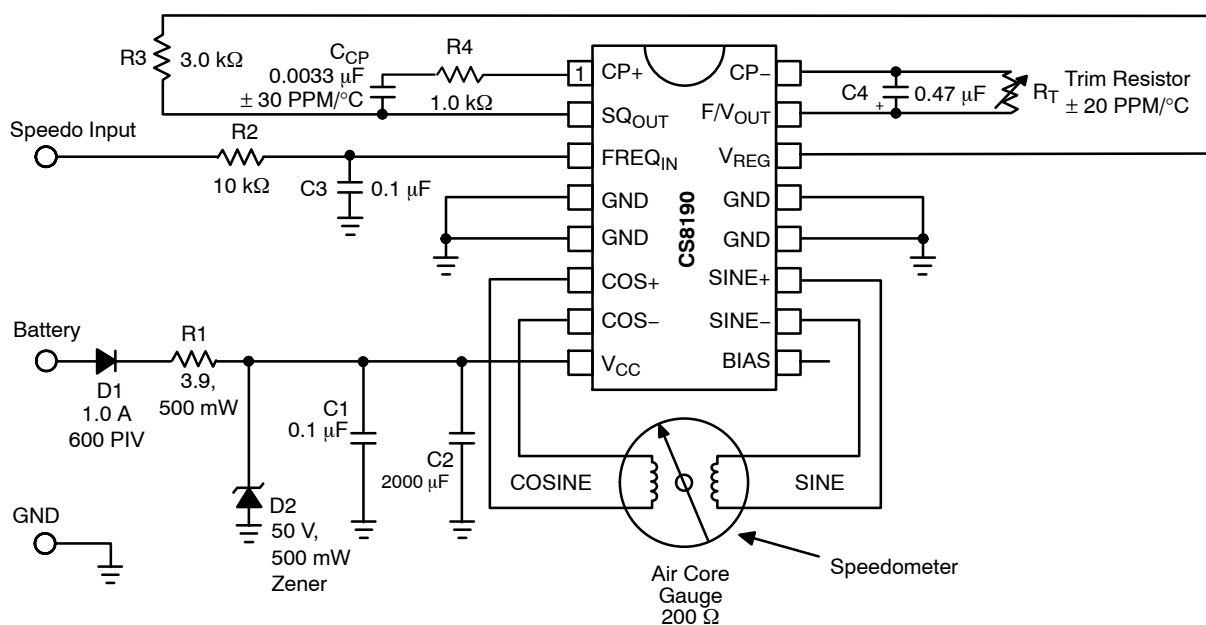
Ripple voltage on the F/V output causes pointer or needle flutter especially at low input frequencies.

The response time of the F/V is determined by the time constant formed by R_T and C_4 . Increasing the value of C_4 will reduce the ripple on the F/V output but will also increase the response time. An increase in response time causes a very slow meter movement and may be unacceptable for many applications.

The CS8190 has an undervoltage detect circuit that disables the input comparator when V_{CC} falls below 8.0 V(typical). With no input signal the F/V output voltage decreases and the needle moves towards zero. A second undervoltage detect circuit at 6.0 V(typical) causes the function generator to

generate a differential SIN drive voltage of zero volts and the differential COS drive voltage to go as high as possible. This combination of voltages (Figure 2) across the meter coil moves the needle to the 0° position. Connecting a large capacitor ($> 2000 \mu F$) to the V_{CC} lead (C_2 in Figure 9) increases the time between these undervoltage points since the capacitor discharges slowly and ensures that the needle moves towards 0° as opposed to 360° . The exact value of the capacitor depends on the response time of the system, the maximum meter deflection and the current consumption of the circuit. It should be selected by breadboarding the design in the lab.

CS8190



Notes:

1. C₂ (> 2000 μF) is needed if return to zero function is required.
2. The product of C₄ and R_T have a direct effect on gain and therefore directly affect temperature compensation.
3. C₄ Range; 20 pF to 0.2 μF.
4. R_T Range; 100 kΩ to 500 kΩ.
5. The IC must be protected from transients above 60 V and reverse battery conditions.
6. Additional filtering on the FREQ_{IN} lead may be required.
7. Gauge coil connections to the IC must be kept as short as possible (≤ 3.0 inch) for best pointer stability.

Figure 9. Speedometer or Tachometer Application

Design Example

Maximum meter Deflection = 270°
 Maximum Input Frequency = 350 Hz

1. Select R_T and C_{CP}

$$\theta = 970 \times \text{FREQ} \times C_{CP} \times R_T = 270^\circ$$

Let C_{CP} = 0.0033 μF, find R_T

$$R_T = \frac{270^\circ}{970 \times 350 \text{ Hz} \times 0.0033 \mu\text{F}}$$

$$R_T = 243 \text{ k}\Omega$$

R_T should be a 250 kΩ potentiometer to trim out any inaccuracies due to IC tolerances or meter movement pointer placement.

2. Select R₃ and R₄

Resistor R₃ sets the output current from the voltage regulator. The maximum output current from the voltage regulator is 10 mA. R₃ must ensure that the current does not exceed this limit.

Choose R₃ = 3.3 kΩ

The charge current for C_{CP} is

$$\frac{V_{REG} - 0.7 \text{ V}}{3.3 \text{ k}\Omega} = 1.90 \text{ mA}$$

C_{CP} must charge and discharge fully during each cycle of the input signal. Time for one cycle at maximum frequency is 2.85 ms. To ensure that C_{CP} is charged, assume that the

(R₃ + R₄) C_{CP} time constant is less than 10% of the minimum input period.

$$T = 10\% \times \frac{1}{350 \text{ Hz}} = 285 \mu\text{s}$$

Choose R₄ = 1.0 kΩ.

$$\text{Discharge time: } t_{DCHG} = R_3 \times C_{CP} = 3.3 \text{ k}\Omega \times 0.0033 \mu\text{F} = 10.9 \mu\text{s}$$

$$\text{Charge time: } t_{CHG} = (R_3 + R_4)C_{CP} = 4.3 \text{ k}\Omega \times 0.0033 \mu\text{F} = 14.2 \mu\text{s}$$

3. Determine C₄

C₄ is selected to satisfy both the maximum allowable ripple voltage and response time of the meter movement.

$$C_4 = \frac{C_{CP}(V_{REG} - 0.7 \text{ V})}{\Delta V_{MAX}}$$

With C₄ = 0.47 μF, the F/V ripple voltage is 44 mV.

The last component to be selected is the return to zero capacitor C₂. This is selected by increasing the input signal frequency to its maximum so the pointer is at its maximum deflection, then removing the power from the circuit. C₂ should be large enough to ensure that the pointer always returns to the 0° position rather than 360° under all operating conditions.

Figure 10 shows how the CS8190 and the CS8441 are used to produce a Speedometer and Odometer circuit.

CS8190

In some cases a designer may wish to use the CS8190 only as a driver for an air-core meter having performed the F/V conversion elsewhere in the circuit.

Figure 11 shows how to drive the CS8190 with a DC voltage ranging from 2.0 V to 6.0 V. This is accomplished by forcing a voltage on the F/V_{OUT} lead. The alternative scheme shown in Figure 12 uses an external op amp as a buffer and operates over an input voltage range of 0 V to 4.0 V.

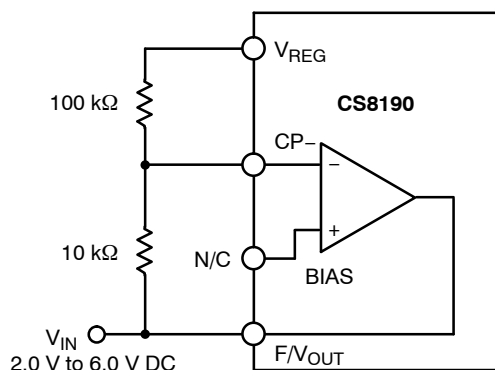


Figure 11. Driving the CS8190 from an External DC Voltage

Figures 11 and 12 are not temperature compensated.

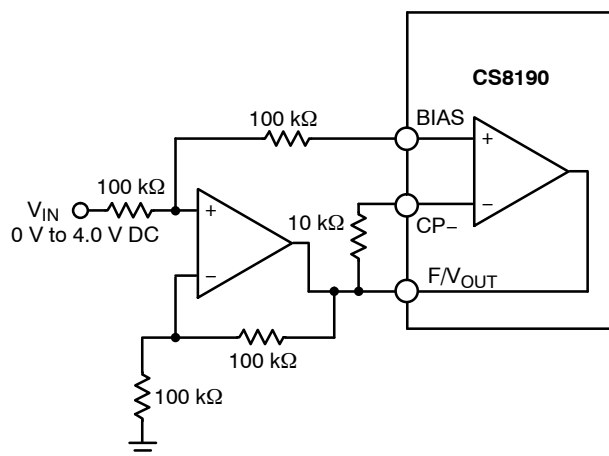


Figure 12. Driving the CS8190 from an External DC Voltage Using an Op Amp Buffer

PACKAGE THERMAL DATA

| Parameter | | PDIP-16 | SO-20W | Unit |
|------------------|---------|---------|--------|------|
| R _{θJC} | Typical | 15 | 9 | °C/W |
| R _{θJA} | Typical | 50 | 55 | °C/W |

ORDERING INFORMATION

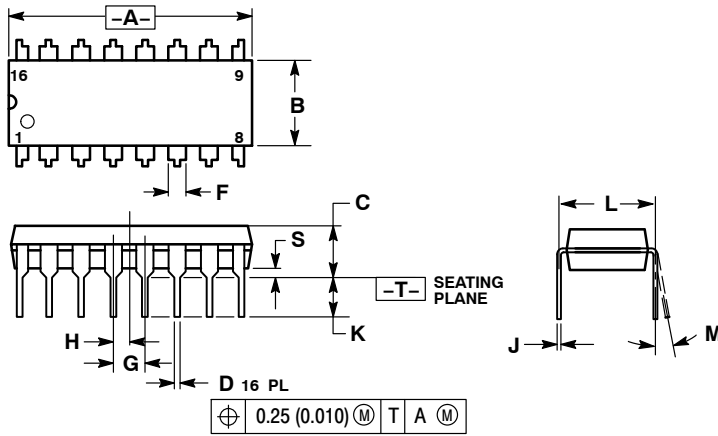
| Device | Package | Shipping† |
|----------------|-------------------|--------------------|
| CS8190ENF16 | PDIP-16 | 25 Units / Rail |
| CS8190ENF16G | PDIP-16 (Pb-Free) | |
| CS8190EDWF20 | SO-20W | 38 Units / Rail |
| CS8190EDWF20G | SO-20W (Pb-Free) | |
| CS8190EDWFR20 | SO-20W | 1000 / Tape & Reel |
| CS8190EDWFR20G | SO-20W (Pb-Free) | |

†For information on tape and reel specifications, including part orientation and tape sizes, please refer to our Tape and Reel Packaging Specifications Brochure, BRD8011/D.

CS8190

PACKAGE DIMENSIONS

PDIP-16
CASE 648-08
ISSUE T

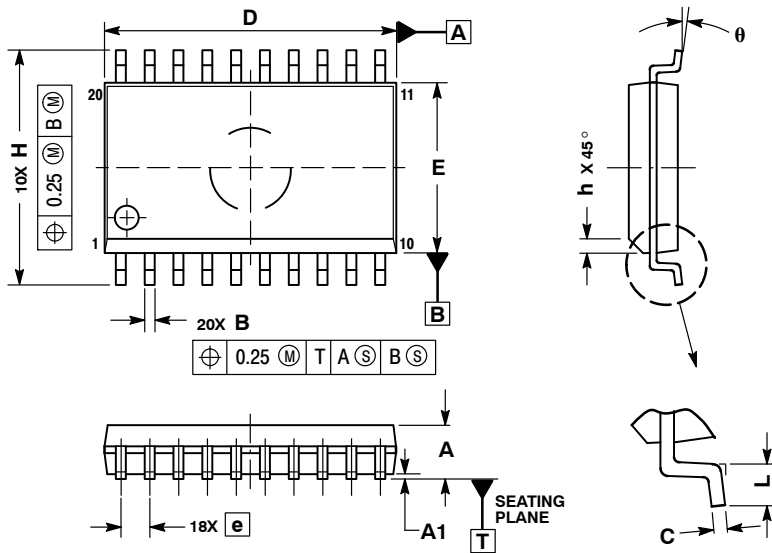


NOTES:

1. DIMENSIONING AND TOLERANCING PER ANSI Y14.5M, 1982.
2. CONTROLLING DIMENSION: INCH.
3. DIMENSION L TO CENTER OF LEADS WHEN FORMED PARALLEL.
4. DIMENSION B DOES NOT INCLUDE MOLD FLASH.
5. ROUNDED CORNERS OPTIONAL.

| DIM | INCHES | | MILLIMETERS | |
|-----|-----------|-------|-------------|-------|
| | MIN | MAX | MIN | MAX |
| A | 0.740 | 0.770 | 18.80 | 19.55 |
| B | 0.250 | 0.270 | 6.35 | 6.85 |
| C | 0.145 | 0.175 | 3.69 | 4.44 |
| D | 0.015 | 0.021 | 0.39 | 0.53 |
| F | 0.040 | 0.70 | 1.02 | 1.77 |
| G | 0.100 BSC | | 2.54 BSC | |
| H | 0.050 BSC | | 1.27 BSC | |
| J | 0.008 | 0.015 | 0.21 | 0.38 |
| K | 0.110 | 0.130 | 2.80 | 3.30 |
| L | 0.295 | 0.305 | 7.50 | 7.74 |
| M | 0° | 10° | 0° | 10° |
| S | 0.020 | 0.040 | 0.51 | 1.01 |

SO-20 WB
CASE 751D-05
ISSUE G



NOTES:

1. DIMENSIONS ARE IN MILLIMETERS.
2. INTERPRET DIMENSIONS AND TOLERANCES PER ASME Y14.5M, 1994.
3. DIMENSIONS D AND E DO NOT INCLUDE MOLD PROTRUSION.
4. MAXIMUM MOLD PROTRUSION 0.15 PER SIDE.
5. DIMENSION B DOES NOT INCLUDE DAMBAR PROTRUSION. ALLOWABLE PROTRUSION SHALL BE 0.13 TOTAL IN EXCESS OF B DIMENSION AT MAXIMUM MATERIAL CONDITION.

| DIM | MILLIMETERS | |
|----------|-------------|-------|
| | MIN | MAX |
| A | 2.35 | 2.65 |
| A1 | 0.10 | 0.25 |
| B | 0.35 | 0.49 |
| C | 0.23 | 0.32 |
| D | 12.65 | 12.95 |
| E | 7.40 | 7.60 |
| e | 1.27 BSC | |
| H | 10.05 | 10.55 |
| h | 0.25 | 0.75 |
| L | 0.50 | 0.90 |
| θ | 0° | 7° |

ON Semiconductor and are registered trademarks of Semiconductor Components Industries, LLC (SCILLC). SCILLC reserves the right to make changes without further notice to any products herein. SCILLC makes no warranty, representation or guarantee regarding the suitability of its products for any particular purpose, nor does SCILLC assume any liability arising out of the application or use of any product or circuit, and specifically disclaims any and all liability, including without limitation special, consequential or incidental damages. "Typical" parameters which may be provided in SCILLC data sheets and/or specifications can and do vary in different applications and actual performance may vary over time. All operating parameters, including "Typicals" must be validated for each customer application by customer's technical experts. SCILLC does not convey any license under its patent rights nor the rights of others. SCILLC products are not designed, intended, or authorized for use as components in systems intended for surgical implant into the body, or other applications intended to support or sustain life, or for any other application in which the failure of the SCILLC product could create a situation where personal injury or death may occur. Should Buyer purchase or use SCILLC products for any such unintended or unauthorized application, Buyer shall indemnify and hold SCILLC and its officers, employees, subsidiaries, affiliates, and distributors harmless against all claims, costs, damages, and expenses, and reasonable attorney fees arising out of, directly or indirectly, any claim of personal injury or death associated with such unintended or unauthorized use, even if such claim alleges that SCILLC was negligent regarding the design or manufacture of the part. SCILLC is an Equal Opportunity/Affirmative Action Employer. This literature is subject to all applicable copyright laws and is not for resale in any manner.

PUBLICATION ORDERING INFORMATION

LITERATURE FULFILLMENT:
Literature Distribution Center for ON Semiconductor
P.O. Box 5163, Denver, Colorado 80217 USA
Phone: 303-675-2175 or 800-344-3860 Toll Free USA/Canada
Fax: 303-675-2176 or 800-344-3867 Toll Free USA/Canada
Email: orderlit@onsemi.com

N. American Technical Support: 800-282-9855 Toll Free
USA/Canada
Europe, Middle East and Africa Technical Support:
Phone: 421 33 790 2910
Japan Customer Focus Center
Phone: 81-3-5817-1050

ON Semiconductor Website: www.onsemi.com

Order Literature: <http://www.onsemi.com/orderlit>

For additional information, please contact your local Sales Representative