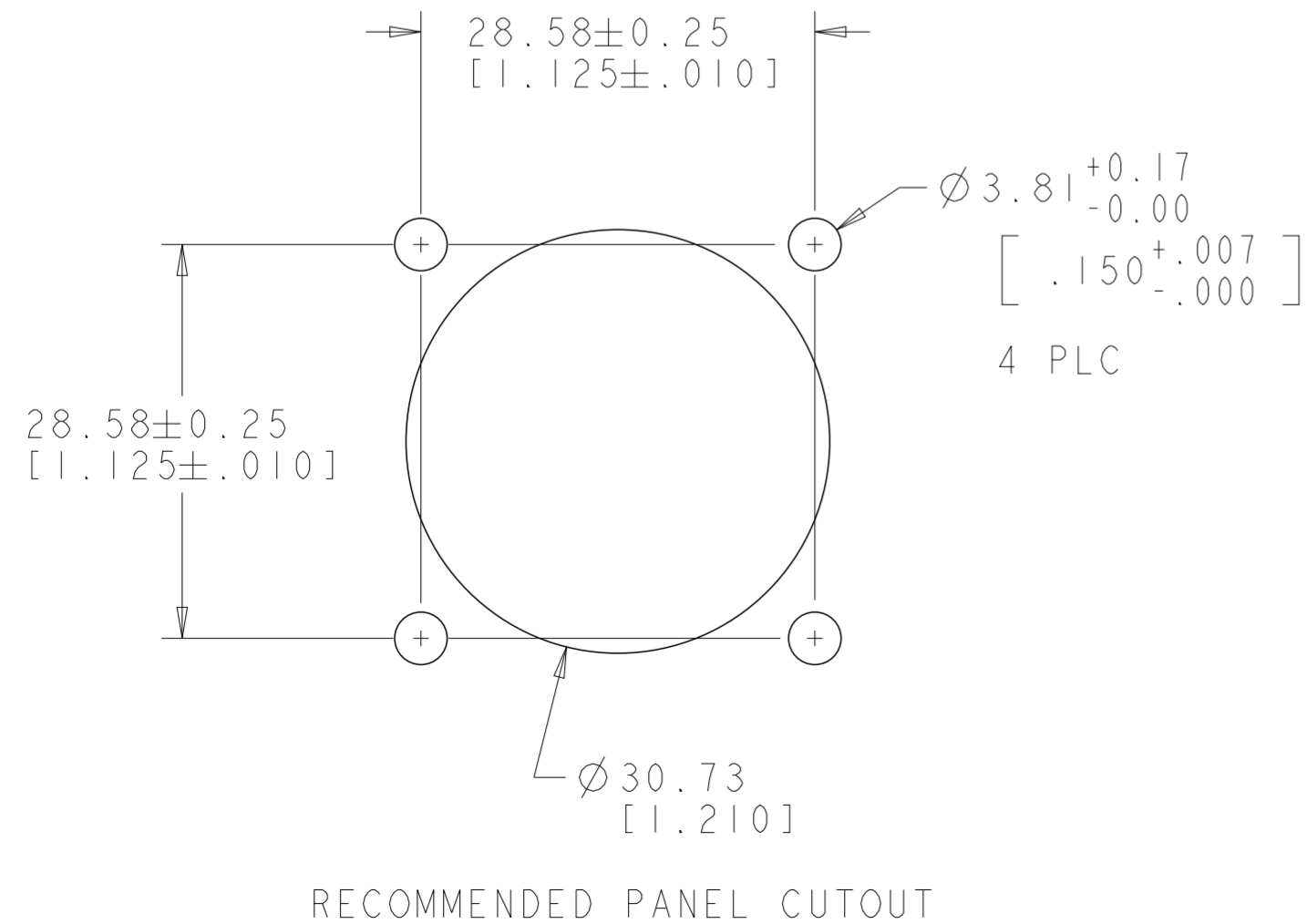
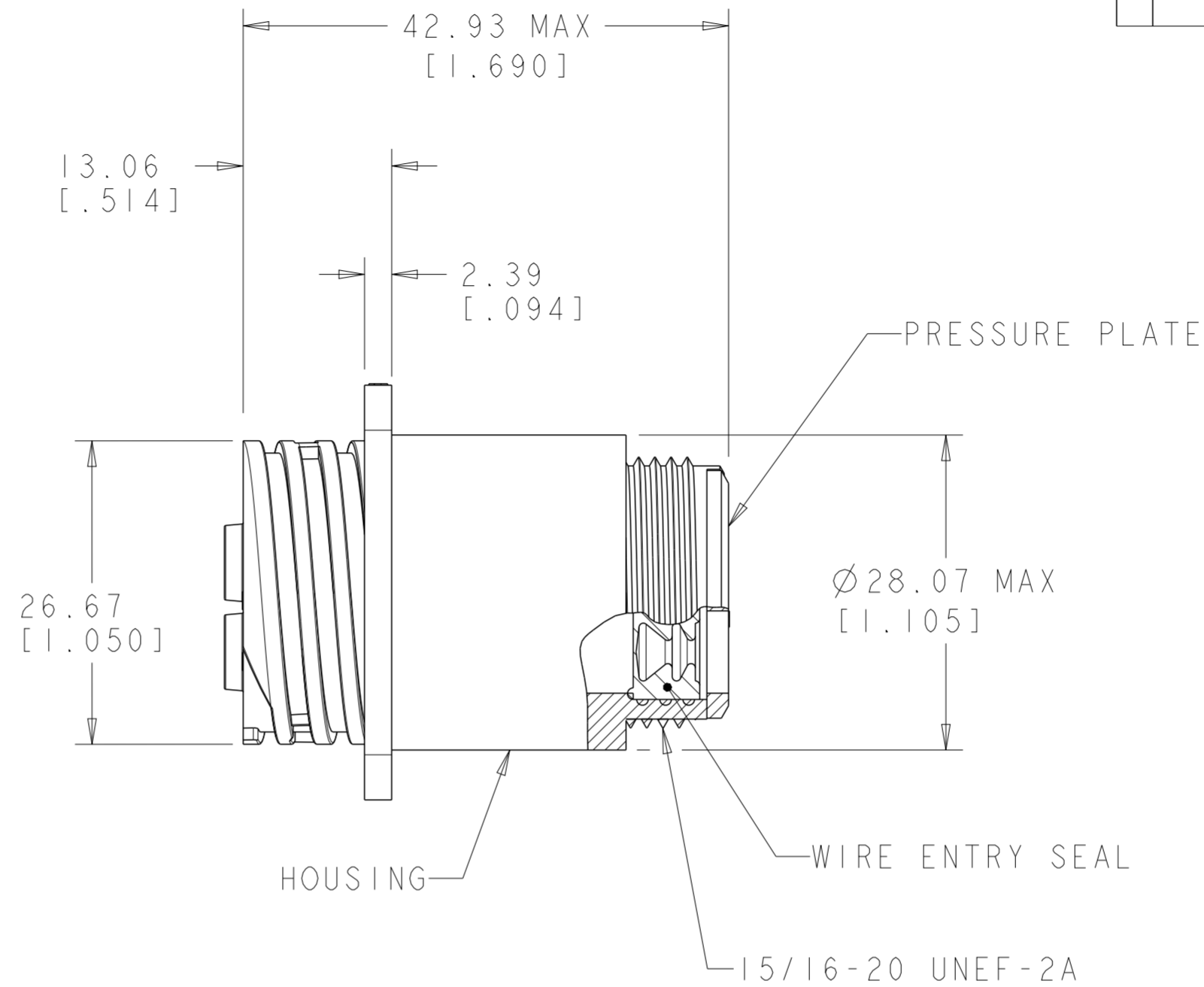
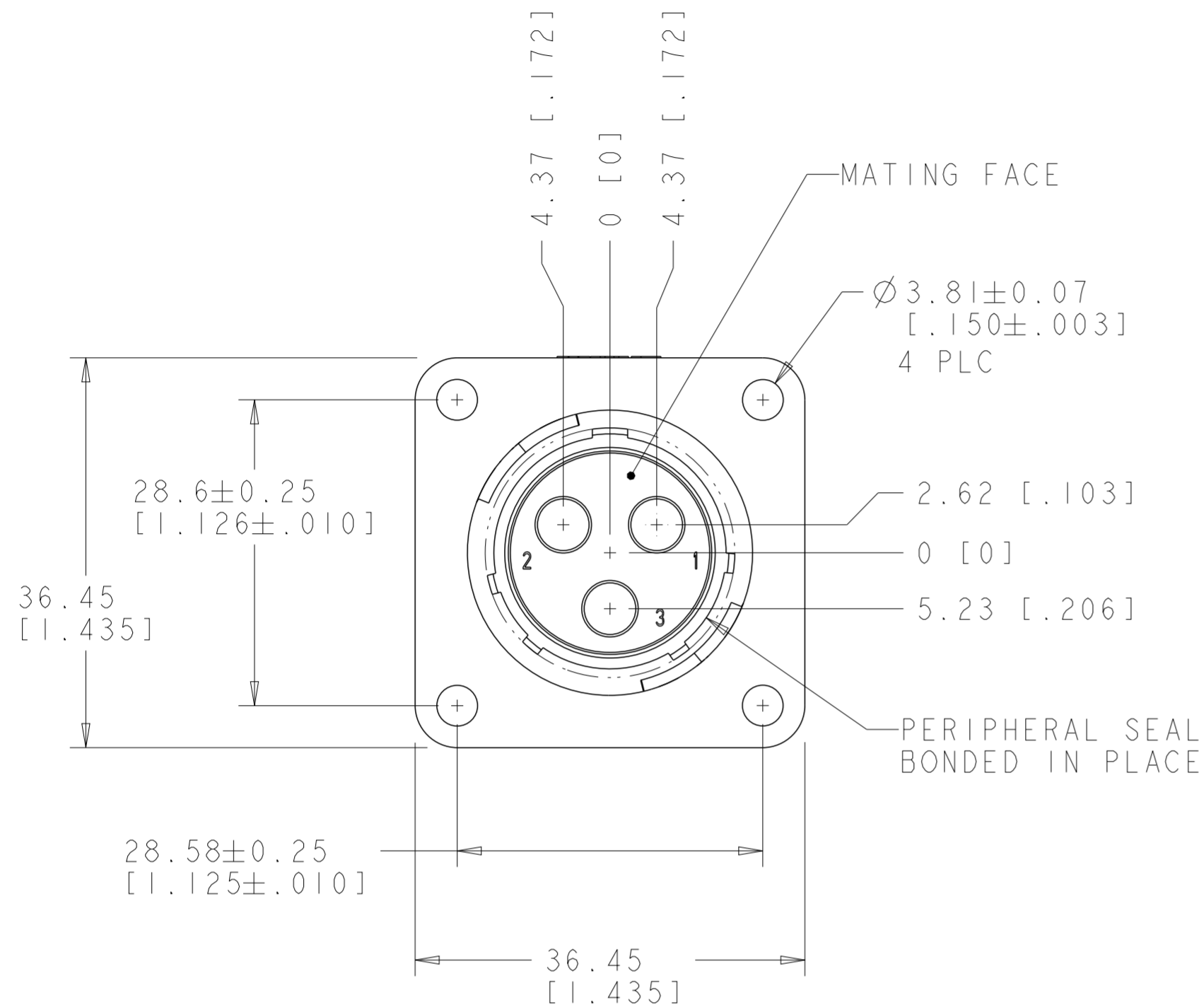


THIS DRAWING IS UNPUBLISHED. RELEASED FOR PUBLICATION  
 © COPYRIGHT 20 BY - ALL RIGHTS RESERVED.

LOC		DIST		REVISIONS			
P	LTR	DESCRIPTION	DATE	DWN	APVD		
	A	NEW DRAWING PER ECO-12-018480	08NOV2012	KH	MZ		



- ⚠ HOUSING & PRESSURE PLATE: NYLON, BLACK.  
 WIRE ENTRY SEAL: ELASTOMER, RED-IRON OXIDE.  
 PERIPHERAL SEAL: POLYESTER, BLACK.
- 2. CONNECTOR WILL ACCEPT (3) POWER SOCKET CONTACTS.

2.41-5.21 [.095-.205]	1977888-1
INSULATION RANGE	PART NUMBER

THIS DRAWING IS A CONTROLLED DOCUMENT.		DWN KIRAN HOLAJI 08NOV2012	TE Connectivity
DIMENSIONS: mm [INCHES]		CHK M. ZITTO 08NOV2012	
TOLERANCES UNLESS OTHERWISE SPECIFIED:		APVD M. ZITTO 08NOV2012	
0 PLC ± 1 PLC ± 2 PLC ±0.02 3 PLC ± 4 PLC ± ANGLES ± FINISH		NAME CPC SQUARE FLANGE RECEPTACLE ASSEMBLY, SERIES 5, SEALED, 17-3, REVERSE SEX UV RESISTANT PRODUCT SPEC 108-1579 APPLICATION SPEC -	
MATERIAL	⚠ -	WEIGHT -	SIZE A200779 CAGE CODE C-1977888 DRAWING NO 1977888 RESTRICTED TO -
Customer Drawing		SCALE 2:1	SHEET 1 OF 1 REV A