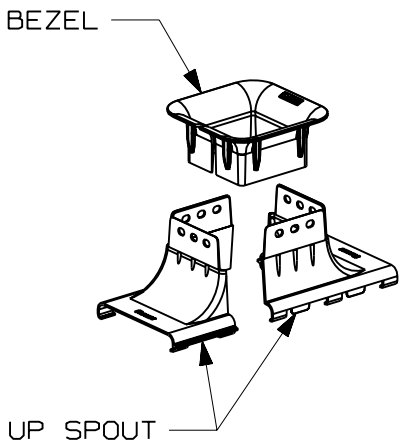


10.00  
[254.0]

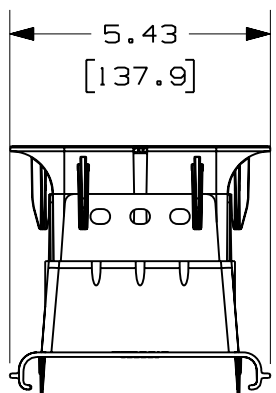


PANDUIT PART NUMBER	WEIGHT
FRUPS4X4	0.55 LB/EACH (248g/EACH)

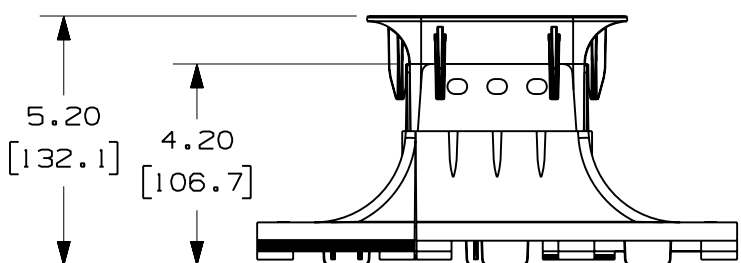


**NOTES:**

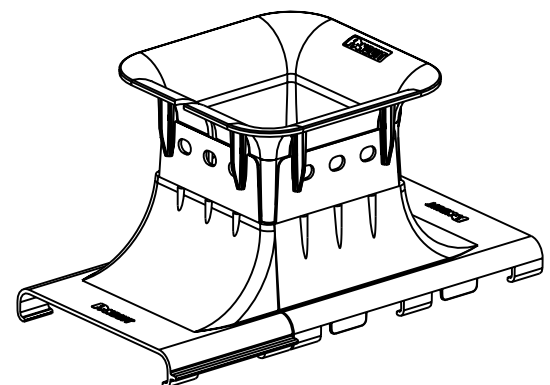
1. SEE CURRENT CATALOG FOR ADDITIONAL PART SUFFIXES TO INDICATE COLOR AND/OR PACKAGE QUANTITY.
2. THE FIBERRUNNER 4x4 UP SPOUT IS DESIGNED WITH A MINIMUM 2" (50.8) BEND RADIUS TO PROTECT FIBER OPTIC CABLES. THE RADIUS BEZEL IS DESIGNED WITH A MINIMUM 1" (25.4) BEND RADIUS TO PROTECT FIBER OPTIC CABLES ENTERING OR EXITING THE FITTING.
3. THE FIBERRUNNER 4x4 UP SPOUT INCLUDES: TWO (2) UP SPOUT COMPONENTS, ONE (1) RADIUS BEZEL
4. DIMENSIONS IN PARENTHESES ARE IN METRIC.



5.43  
[137.9]



5.20 [132.1]  
4.20 [106.7]



ENG. REF.: D38154BE\_DC\_FRUPS4X4\_01.prt

CAD FILENAME/LAYERS FRUPS4X4.pdf

REV	DATE	BY	CHK	DESCRIPTION	ECN	R	CUST	SUP	GMBH
-	-----	---	---	E. REVISED PART WEIGHT	-----	--	--		
-	-----	---	---	D. REVISED GENERAL NOTES C. REVISED CAD FILENAME	-----	--	--		
1	38154-05	DTP	RN	B. REVISED DRAWING TITLE A. REVISED AND REDRAWN	38154-05	RN	RN		

**PANDUIT** CORP TINLEY PARK, ILLINOIS

**FIBERRUNNER 4x4 UP SPOUT (FRUPS4X4)**  
CUSTOMER DRAWING

UNLESS OTHERWISE SPECIFIED, DIMENSIONAL TOLERANCES ARE:  
 (.X) ± (.XXX) ±  
 (.XX) ± .03 (.8) ANGLES ±

UNLESS OTHERWISE SPECIFIED, ALL DIMENSIONS ARE GIVEN IN INCHES, THIRD ANGLE PROJECTION.

DRAWN BY: JHNU  
DATE: 10-12-01  
CHK'D: DJWA

MAT'L: ABS

SCALE: NONE

DRAWING NO.: 38154-05  
DWG SIZE: A