

## Support bracket - ABN 2/SS - 0404460


Please be informed that the data shown in this PDF Document is generated from our Online Catalog. Please find the complete data in the user's documentation. Our General Terms of Use for Downloads are valid (<http://phoenixcontact.com/download>)



Double support bracket, insulating material, optionally for use with 3 x 10 mm or 6 x 6 mm busbar, height in closed state: 39 mm

RoHS

### Key Commercial Data

Packing unit	10 STK
Minimum order quantity	10 STK
GTIN	 4 017918 001902
GTIN	4017918001902

### Technical data

#### Dimensions

Length (b)	47 mm
Width (a)	10 mm
Height (c)	39 mm

#### General

Color	gray
Components	free from silicone and halogen
Flammability rating according to UL 94	V0
Material	PA

#### Standards and Regulations

Flammability rating according to UL 94	V0
----------------------------------------	----

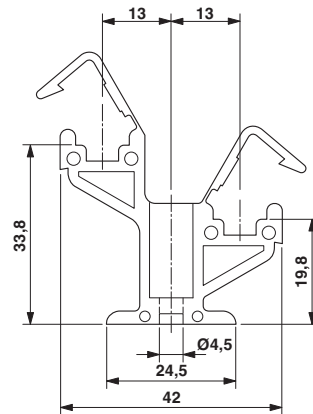
#### Environmental Product Compliance

China RoHS	Environmentally friendly use period: unlimited = EFUP-e
	No hazardous substances above threshold values

### Drawings

## Support bracket - ABN 2/SS - 0404460

Dimensional drawing



---

Phoenix Contact 2018 © - all rights reserved  
<http://www.phoenixcontact.com>

PHOENIX CONTACT GmbH & Co. KG  
Flachsmarktstr. 8  
32825 Blomberg  
Germany  
Tel. +49 5235 300  
Fax +49 5235 3 41200  
<http://www.phoenixcontact.com>