

THIS DRAWING IS UNPUBLISHED. RELEASED FOR PUBLICATION 20
 © COPYRIGHT 20 BY - ALL RIGHTS RESERVED.

REVISIONS				
P	LTR	DESCRIPTION	DATE	APVD
B		ECR-16-010100 UPDATE NAME	14JUL2016	L.Z X.X

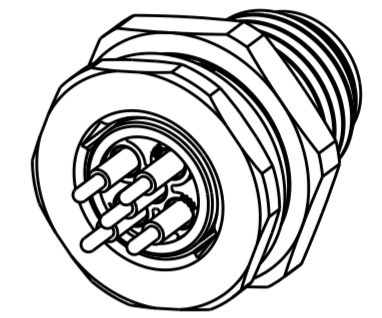
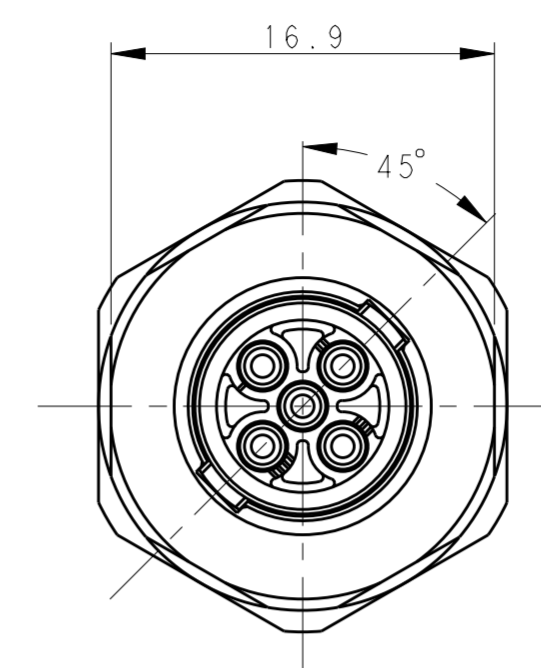
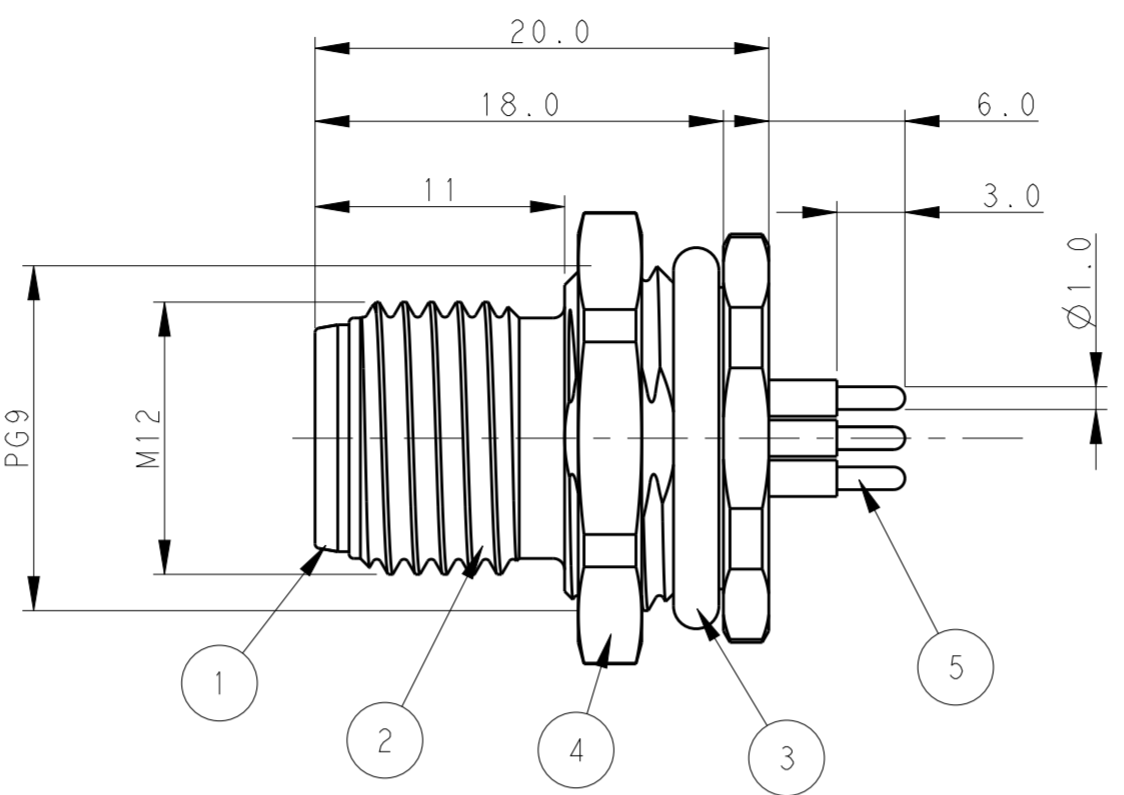
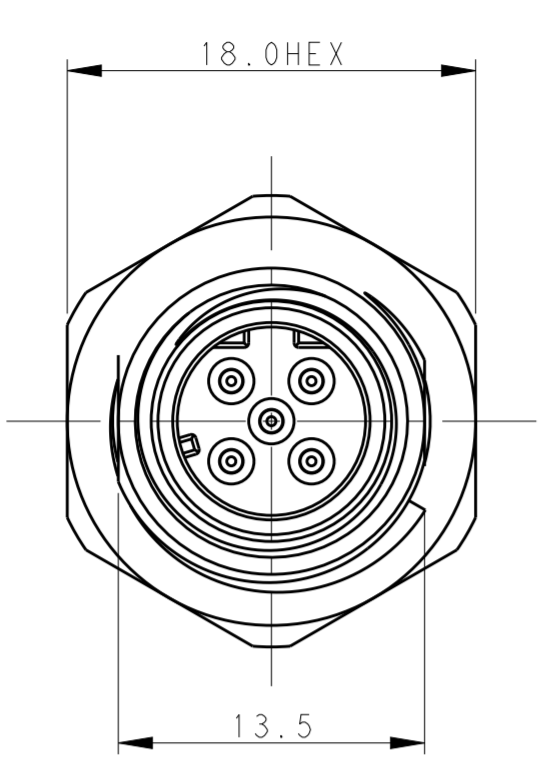


TABLE 1

TECHNICAL DATA	T4140512021-000	T4140512031-000	T4140512041-000	T4140512051-000
RATED VOLTAGE	250V	250V	250V	60V
RATED CURRENT	4A	4A	4A	4A
POLLUTION DEGREE	3	3	3	3
OVERVOLTAGE CATEGORY	II	II	II	II
MATERIAL GROUP	II	II	II	II
CONTACT RESISTANCE	<=10mΩ	<=10mΩ	<=10mΩ	<=10mΩ
INSULATION RESISTANCE	>100MΩ	>100MΩ	>100MΩ	>100MΩ
DEGREE OF PROTECTION	IP67	IP67	IP67	IP67
OPERATION TEMPERATURE	-40~85°C	-40~85°C	-40~85°C	-40~85°C

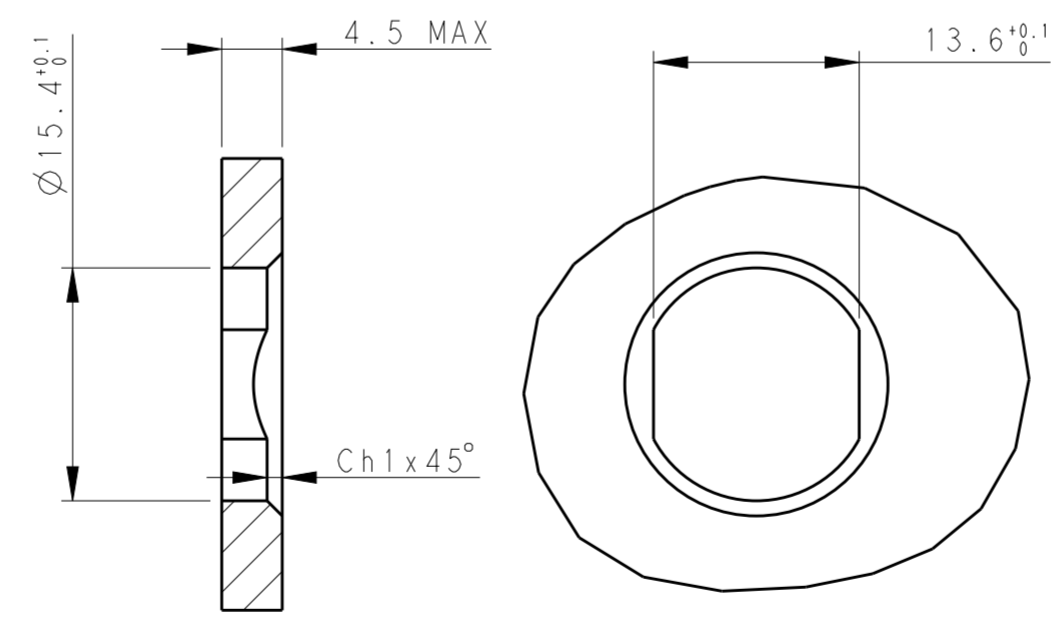
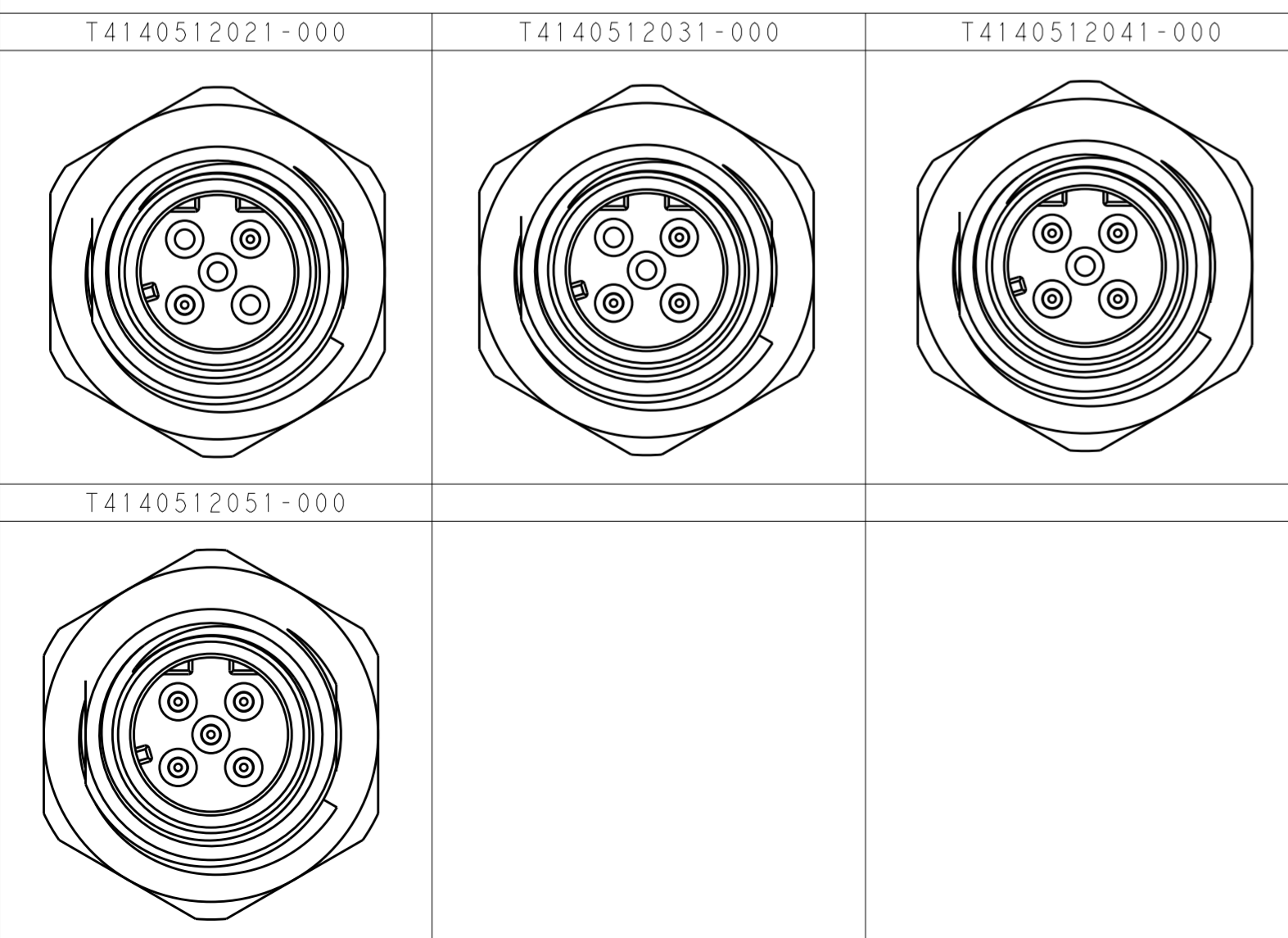
NOTE:
 1. TECHNICAL DATA: SEE TABLE 1
 2. RECOMMENDED MOUNT PANEL SEE DETAIL
 3. PRODUCT COMPLIES WITH IEC61076-2-101
 4. PLASTIC INERT MATERIAL:UL LISTED WITH UL94V0 FLAME RATING
 5. ALL MATERIALS TO BE ROHS COMPLIANT
 6. ALL MATERIALS TO BE REACH COMPLIANT
 7. PN INFORMATION FOR ASSEMBLY PARTS

注释:
 1: 技术参数, 见表1
 2: 推荐开孔尺寸详见如图所示
 3: 产品符合标准 IEC61076-2-101
 4: 塑胶材料符合UL标准, UL-94V0阻燃等级
 5: 所有材料符合ROHS参照标准TEC-138-705
 6: 所有材料符合REACH参照标准TEC-138-705
 7: 成品料号信息如下:

T41405120X1-000
 CONTACT FINISH:
 1: GOLD 3u''
 NUMBER OF PINS:
 02: 2 PINS
 03: 3 PINS
 04: 4 PINS
 05: 5 PINS

T41405120X1-000
 端子电镀:
 1: 3u''金
 针数:
 02: 2 针
 03: 3 针
 04: 4 针
 05: 5 针

PIN ARRANGEMENT D-CODE



RECOMMENDED PANEL CUTOUT

T4140512021-000	T4140512031-000	T4140512041-000	T4140512051-000
RPC-M12D-MF-2CON-PG9-LBU	RPC-M12D-MF-3CON-PG9-LBU	RPC-M12D-MF-4CON-PG9-LBU	RPC-M12D-MF-5CON-PG9-LBU

TE PN	TYPE	5	2	3	4	5
3u'' GOLD MIN.	COPPER ALLOY CONTACT	5	2	3	4	5
200u'' NICKEL MIN.	COPPER ALLOY METAL NUT	4	1	1	1	1
-	O-RING	3	1	1	1	1
200u'' NICKEL MIN.	COPPER ALLOY M12, MALE, METAL BODY	2	1	1	1	1
-	PA66 M12, MALE HSG	1	1	1	1	1

THIS DRAWING IS A CONTROLLED DOCUMENT.

DWN BO GAO 01FEB2016
 CHK KOBBY ZHAO 01FEB2016
 APVD XIANG XU 01FEB2016

TE Connectivity

M12 PANEL MOUNT CONNECTOR
 D CODE, MALE, REAR MOUNTING
 PCB SOLDERING

SIZE A2 CAGE CODE - DRAWING NO. G-T41405120X1000 RESTRICTED TO -
 SCALE 3:1 SHEET 1 OF 1 REV B

PRODUCT SPEC 108-106140
 APPLICATION SPEC 114-137144

MATERIAL - TOLERANCES UNLESS OTHERWISE SPECIFIED:
 0 PLC ±
 1 PLC ±0.2
 2 PLC ±0.2
 3 PLC ±0.2
 4 PLC ±
 ANGLES ±
 FINISH -

CUSTOMER DRAWING