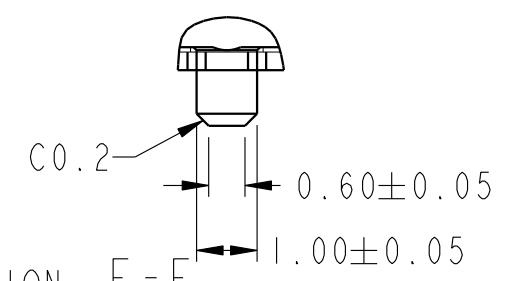
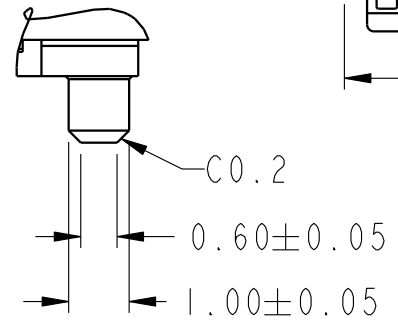
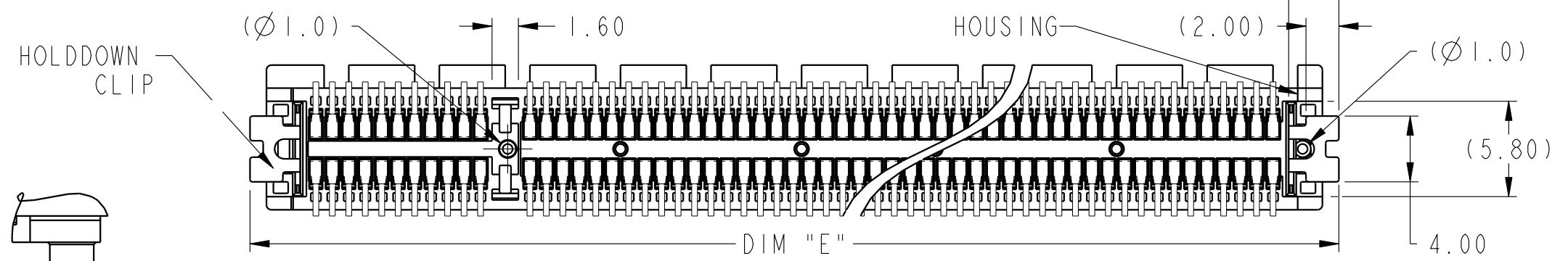
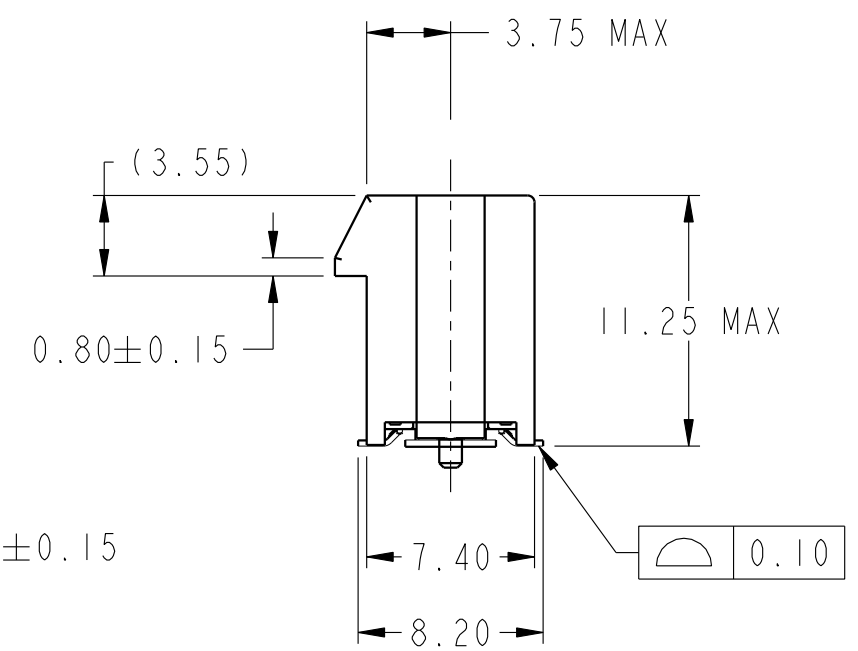
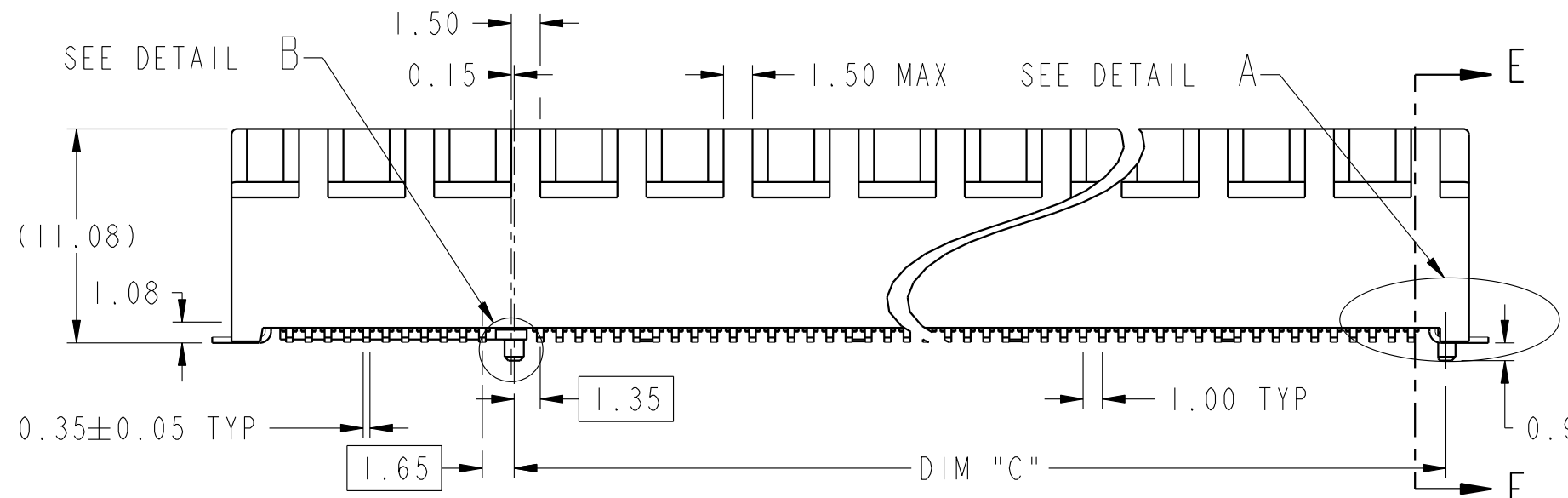
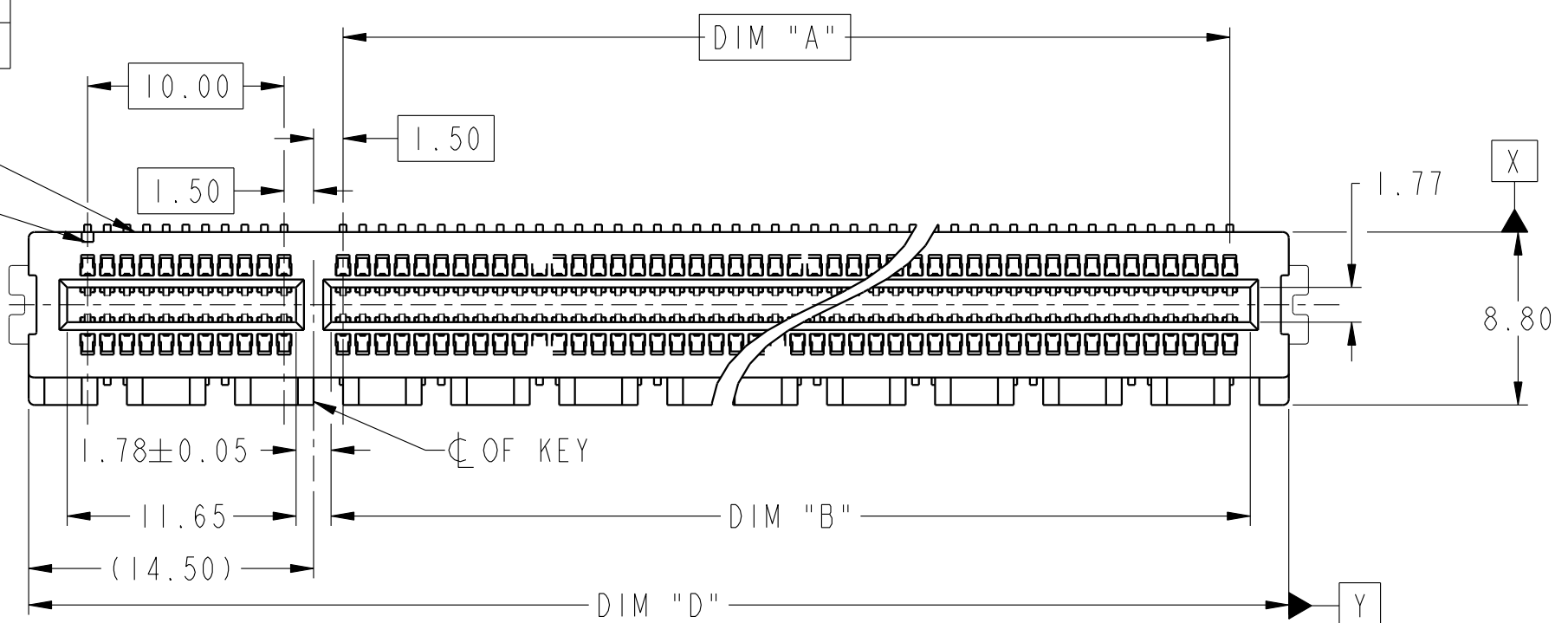


PRODUCT PARTNUMBER
10128241-XXXXOLF

PARTNO &
DATECODE

#AI IDENTIFIER



PRELIMINARY

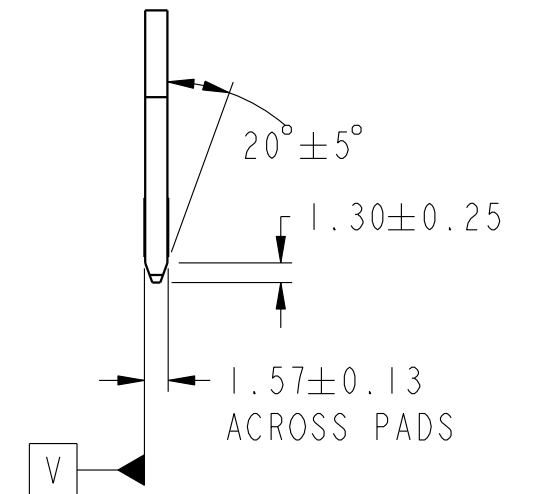
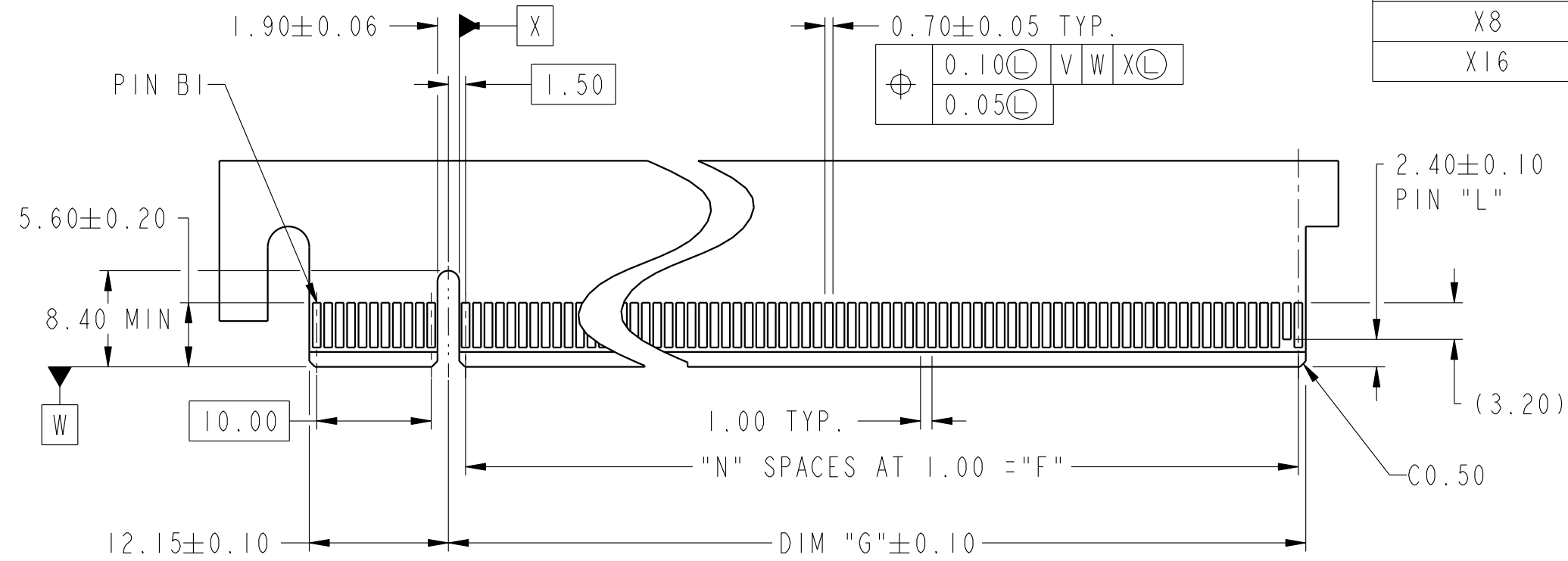
spec ref	-	dr	M. Cheong	2016-04-26
tolerance std	ISO 406 ISO 1101	eng	M. Cheong	2017-11-10
TOLERANCES UNLESS OTHERWISE SPECIFIED		chr		
		appr		
surface	-	linear	0.X ±0.30 0.XX ±0.20 0.XXX ±0.1	Amphenol FCI www.fci.com
		angular	0° ±2°	

projection	MM	size	A3	scale	3:1
product family	PCI express	ecn no		rel level	In Work
PCI Express 4.0		rev			
SMT Type		dwg no	10128241	rev	8
cat. no.	-	Product - Customer Drw		sheet 1 of 4	

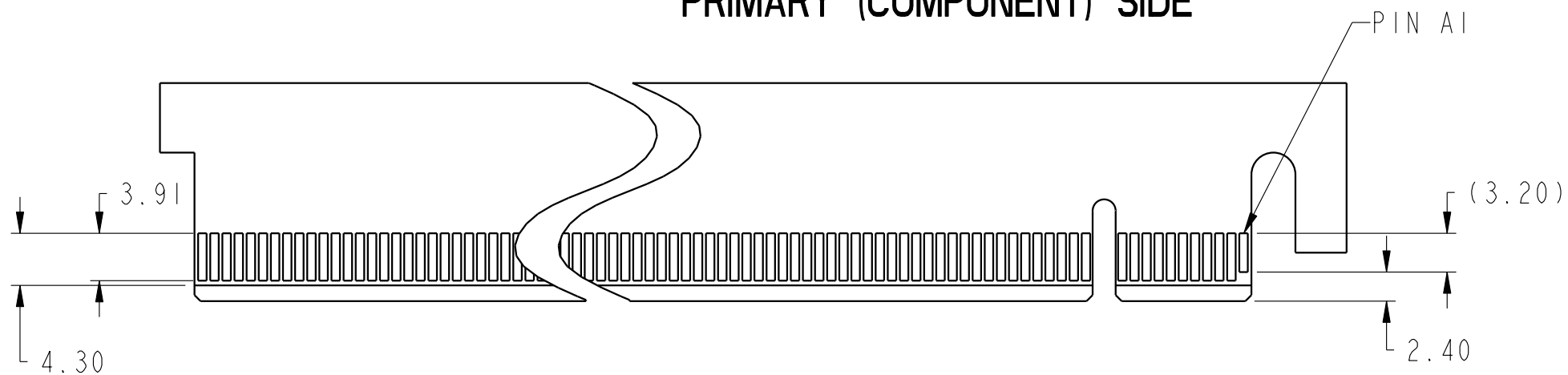
Amphenol FCI

© 2016 AFCI

CONNECTOR LINK WIDTH	POSITION	N	DIM "G"	DIM "F"	PIN "L"
X1	36	6	8.15	6.00	B17
X4	64	20	22.15	20.00	B31
X8	98	37	39.15	37.00	B48
X16	164	70	72.15	70.00	B81



← I/O PANEL DIRECTION
PRIMARY (COMPONENT) SIDE



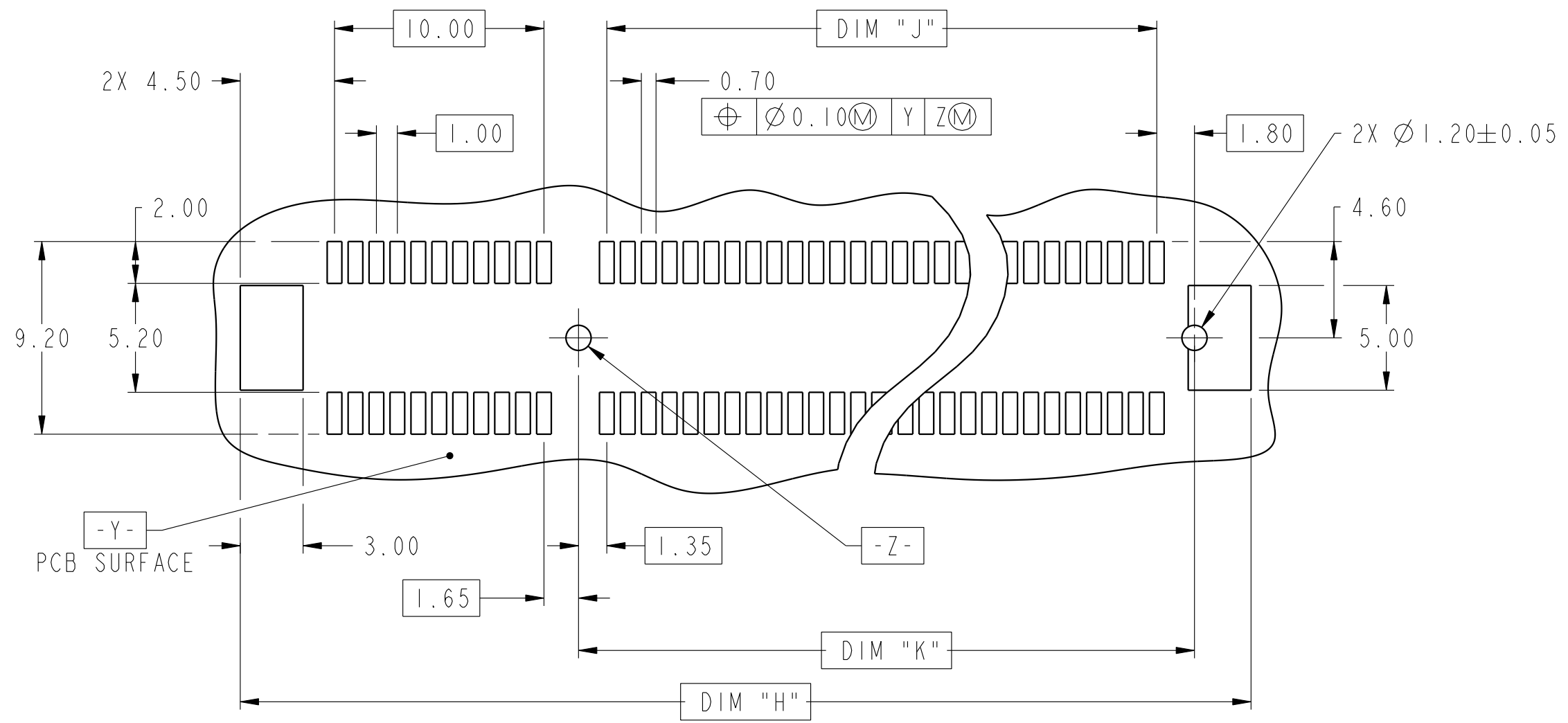
I/O PANEL DIRECTION →
SECONDARY (SOLDER) SIDE

SEE NOTE 1 IN SHEET 2

PRELIMINARY

- NO TIE BAR PERMITTED FROM CARD EDGE TO LEADING EDGE OF PAD FOR PIN AI AND PIN "L".
- CHAMFER EDGES MUST BE FREE OF CUTTING BURRS.
- TOLERANCE : ± 0.13

spec ref	-	dr	M. Cheong	2016-04-26	projection	MM	size	A3	scale	2:1	
tolerance std	ISO 406 ISO 1101	eng	M. Cheong	2017-11-10			ecn no		rel level		
TOLERANCES UNLESS OTHERWISE SPECIFIED		chr					PCI express		In Work		
surface	linear	appr			product family	PCI express	rel level	In Work			
	0.X	±0.30	Amphenol FCI www.fci.com	PCI Express 4.0 SMT Type	cat. no.	Product - Customer Drw	rel level	In Work			
	0.XX	±0.20						dwg no	10128241	rev	8
	0.XXX	±0.1						sheet 2 of 4			
ISO 1302	angular	0°	±2°								



RECOMMENDED PCB LAYOUT, PAD TYPE

DIMENSIONS								
POSITION	A	B ^{+0.15} / _{-0.05}	C ±0.10	D ±0.23	E ±0.20	H ±0.10	J	K ±0.10
36	6.00	7.65	9.15	25.00	27.00	28.00	6.00	9.15
64	20.00	21.65	23.15	39.00	41.00	42.00	20.00	23.15
98	37.00	38.65	40.15	56.00	58.00	59.00	37.00	40.15
164	70.00	71.65	73.15	89.00	91.00	92.00	70.00	73.15

PRELIMINARY

spec ref	-	dr	M. Cheong	2016-04-26	projection	MM	size	A3	scale	4:1
tolerance std	ISO 406 ISO 1101	eng	M. Cheong	2017-11-10			ecn no		rel level	
TOLERANCES UNLESS OTHERWISE SPECIFIED		chr					In Work			
surface	-	appr			product family	PCI express	rel level		In Work	
	linear	0.X	±0.30	Amphenol FCI www.fci.com	PCI Express 4.0		dwg no 10128241	rev		
		0.XX	±0.20		SMT Type			8		
	angular	0°	±2°		cat. no.			Product - Customer Drw		sheet 3 of 4

PRODUCT NUMBER CODE

10128241 - □□□□ 0LF

HOUSING COLOR

0: WHITE
1: BLACK

CONTACT AREA PLATING

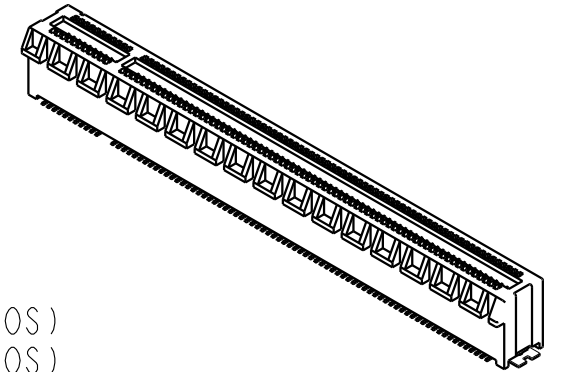
1: 30u" Au
2: 15u" Au

PACKAGING OPTIONS

A: HARD TRAY (DIM: 323 x 136 x 19) WITH KAPTON TAPE (164 POS)
C: SOFT TRAY (317.5 x 235 x 18) WITH PICK-UP CAP (36 & 64 POS)
T: SOFT TRAY (317.5 x 235 x 18) WITH KAPTON TAPE (36 & 64 POS)
X: HARD TRAY (DIM: 330 x 235 x 19.3) WITH PICK UP CAP (98 & 164 POS)
Y: HARD TRAY (DIM: 330 x 235 x 19.3) WITH KAPTON TAPE (98 & 164 POS)
Z: HARD TRAY (DIM: 330 x 235 x 19.3) WITH KAPTON TAPE, 86MM (164 POS)

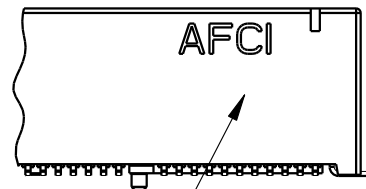
NO. OF POSITION

0: 36 POSITIONS
1: 64 POSITIONS
2: 98 POSITIONS
3: 164 POSITIONS



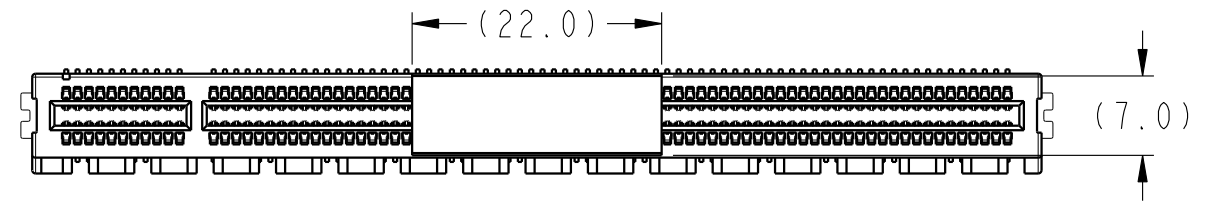
NOTES:

- MATERIAL:**
HOUSING: HIGH PERFORMANCE RESINS, GLASS FILLED, UL94V-0
CONTACT: COPPER ALLOY.
METAL PADS: COPPER ALLOY
- PLATING:**
CONTACT: UNDERPLATE: 50u" NICKEL OVER ALL.
SOLDER AREA: 100u" TIN (LEAD FREE).
MATING AREA: SEE PRODUCT NUMBER CODE.
HOLDDOWN CLIP: 100u" TIN OVER 50 u" NICKEL.
- PRODUCT SPECIFICATION:** GS-12-1406
- PRODUCT MEETS EUROPEAN UNION DIRECTIVES AND OTHER COUNTRY REGULATIONS AS DESCRIBED IN GS-22-008.**
- DATE CODE "MMDDYYL", MMDDYY IS ASSEMBLY DATE. L IS AFCI PRODUCTION SITE.**
- THIS PRODUCT MEETS EUROPEAN UNION DIRECTIVES AND OTHER COUNTRY REGULATIONS AS DESCRIBED IN GS-47-004.**

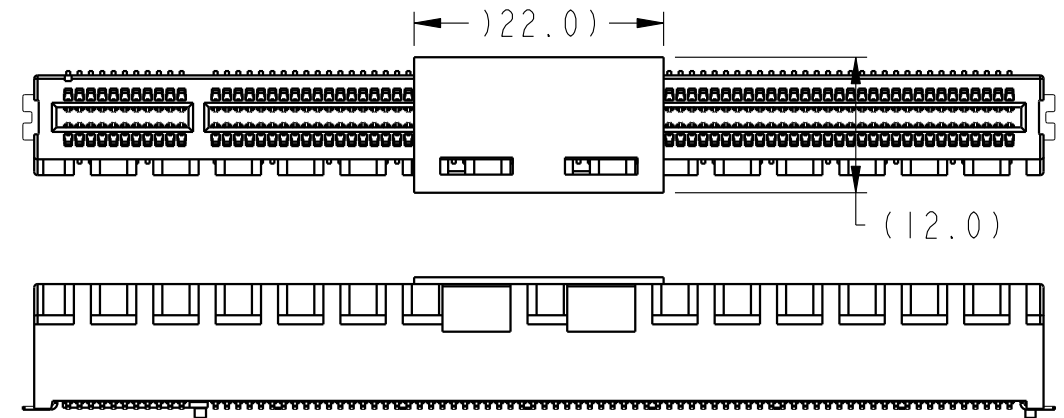


DATA CODE & PARTNO

POSITION OF KAPTON TAPE



POSITION OF PICK UP CAP



PRELIMINARY

7. THE HOUSING WILL WITHSTAND EXPOSURE TO 260° PEAK TEMPERATURE FOR 10 SECONDS IN A CONVECTION, INFRA-RED OR VAPOR PHASE REFLOW OVEN.

spec ref -		dr M. Cheong	2016-04-26	projection	MM	size A3	scale 2:1
tolerance std		eng M. Cheong	2017-11-10			ecn no	
ISO 406	TOLERANCES UNLESS OTHERWISE SPECIFIED	chr				rel level	
ISO 1101		appr		product family		PCI express	
surface		linear	Amphenol FCI		PCI Express 4.0		rev 8
		0.X	±0.30	www.fci.com	cat. no.	Product - Customer Drw	sheet 4 of 4
		0.XX	±0.20			dwg no 10128241	
		0.XXX	±0.1				
	angular	0°	±2°				