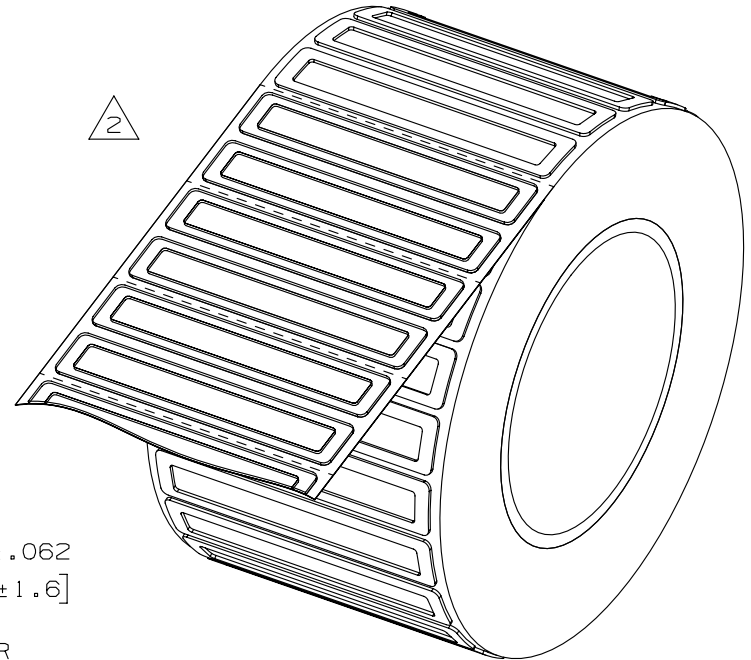
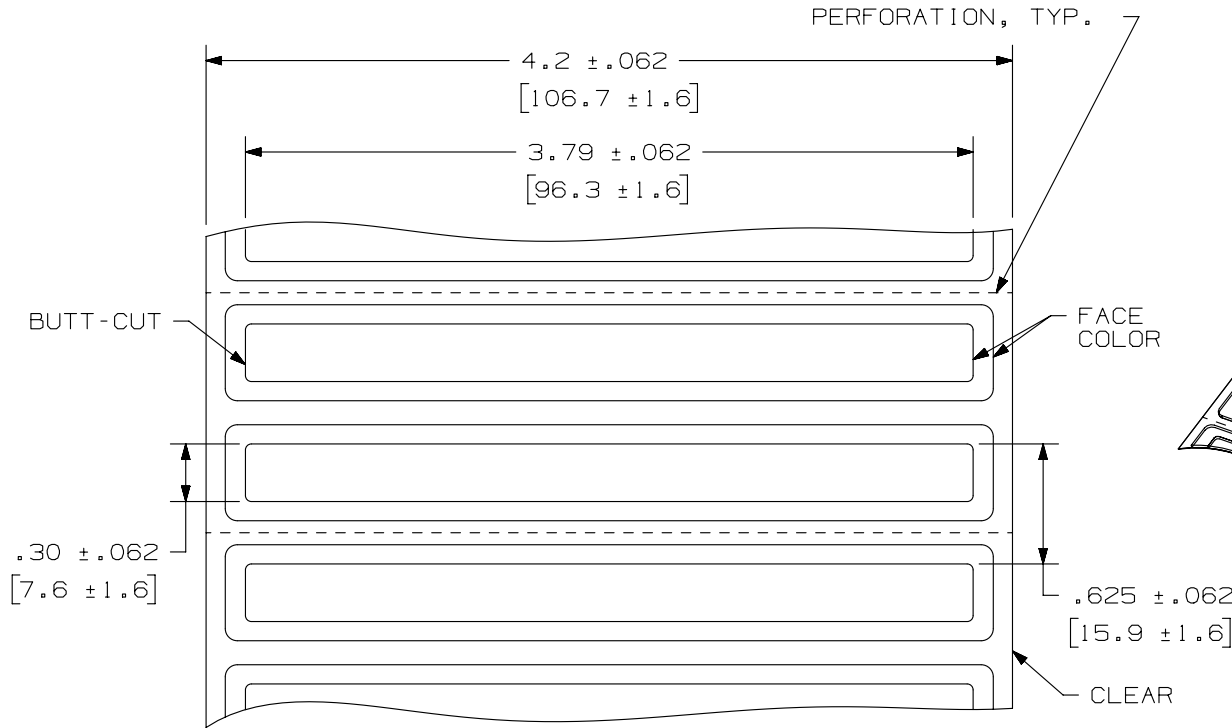


THIS COPY IS PROVIDED ON A RESTRICTED BASIS AND IS NOT TO BE USED IN ANY WAY DETRIMENTAL TO THE INTERESTS OF PANDUIT CORP.

NOTES:

1. DIMENSIONS IN [] ARE IN MILLIMETERS.

PANDUIT PART NO.	MATERIAL	FACE COLOR	PKG. QTY.	THICKNESS	PRODUCT TYPE
C379X030A0T	GMH3	BLACK	500	.030 +/- .010	POLYESTER/ FOAM DATA LABEL
C379X030APT	GMH3-W	WHITE			



REV	DATE	BY	CHK	APR	DESCRIPTION	ECN
2	1/18/13	RVU	DAPE	SEWH	ADD material column and ISO view. Update part numbers sequence list.	GAECN00540
1	5/3/10	RVU	DAPE		ADD PN, C379X030A0T, BLACK.	6036
0	6/29/09	RVU	DAPE		DRAWING RELEASE.	5780

TITLE		RAISED PANEL DATA LABELS C379X030A*T		
ITEM REVISION NAME		CUSTOMER DRAWING		
DATASET FILE NAME		100491BV/05		
ITEM REVISION NAME		100491BV-DC-C10753/05D		
UNLESS OTHERWISE SPECIFIED, DIMENSIONAL TOLERANCES ARE: IN [mm]		PANDUIT TM MATERIAL: SEE TABLE		
.x ± .12 [3.05] .xxx ± .025 [.635] .xx ± .062 [1.57] ANGLES ±		DRAWING NUMBER: C10753		
THIRD ANGLE PROJECTION		DRAWN BY: RVU DATE: 12/16/08 CHK: SCWE SCALE: NTS SHT 1 OF 1 SIZE: A		

D10100DA/12