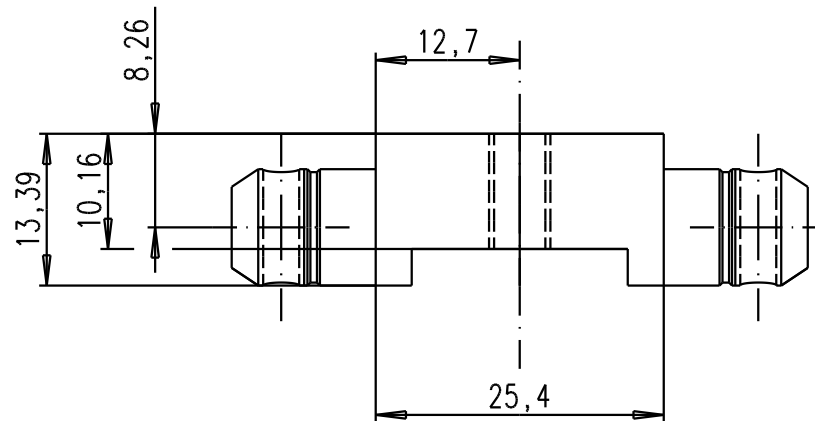




suitable for
crimping hand tool
09 99 000 0503



| | | | | | | | | |
|-------|----------|------|-------------------------------|----------|------|---|---|----------------------------|
| | | | | Det. | Name |  All Dim. in mm Orig. Size DIN A 4 | Crimping die for outer conductor of coaxial contact | Maßstab/ Scale 1,5:1 |
| | | | Detail. | 02/11/04 | TR | | | |
| | | | Insp. | | | | | |
| | | | Stand. | | | | | |
| 32250 | 02/11/04 | TR | HARTING EURL F-95972 Paris | | |  | TB 09 99 000 0518 | Blatt/ Page 1/1 |
| Mod. | Det. | Name | | | | | Sub. | |