

THIS DRAWING IS UNPUBLISHED.

RELEASED FOR PUBLICATION

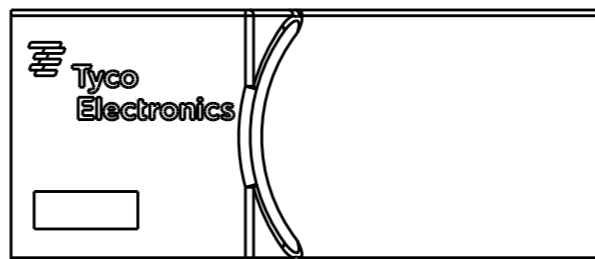
20

© COPYRIGHT 20 BY -

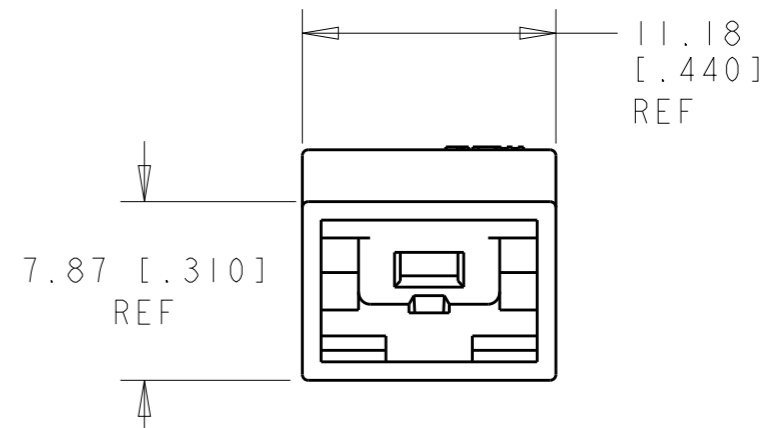
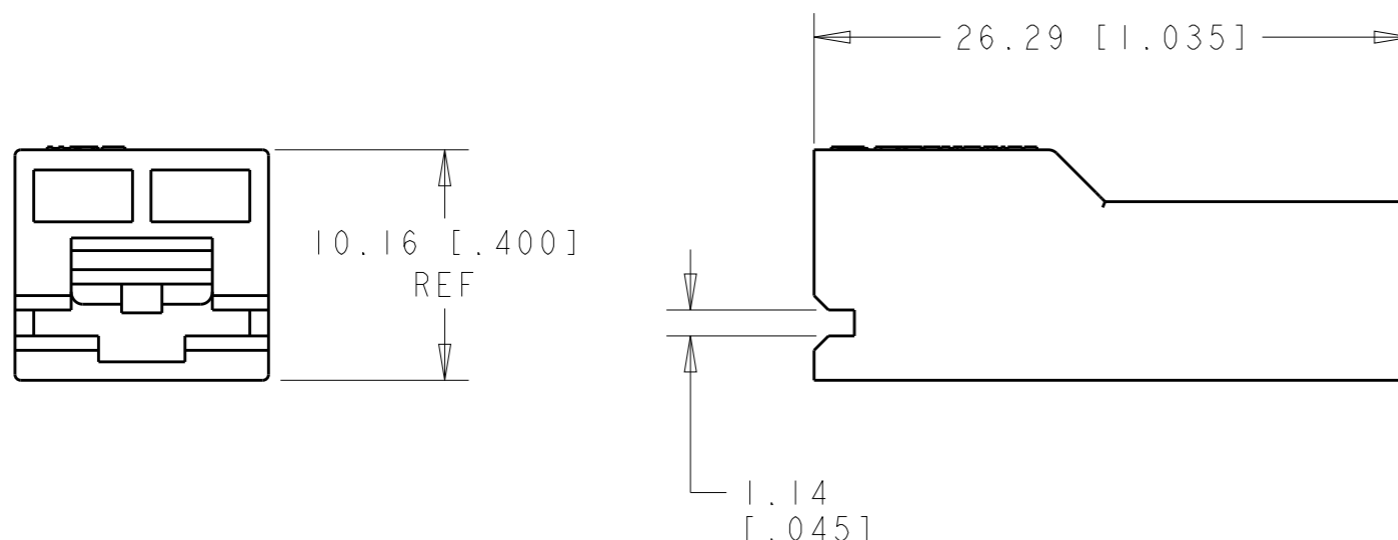
ALL RIGHTS RESERVED.

REVISIONS

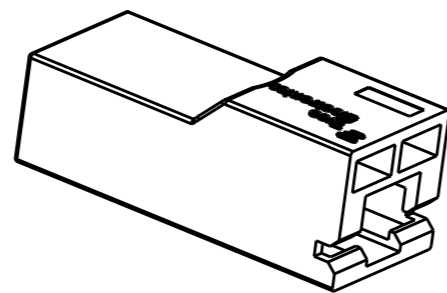
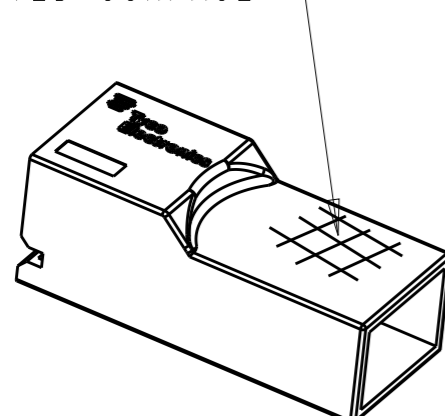
P	LTR	DESCRIPTION	DATE	DWN	APVD
	B4	REVISED PER ECR-18-005844	17APR2018	RS	DS



- ① 66 NYLON, V0, NO DRIP
- ② 6/6 NYLON, V2



FROSTED SURFACE



SCALE 2:1

SCALE 2:1

BLACK	66 Nylon V0 Natural	1-1969186-1
NATURAL	②	1969186-2
BLACK	①	1969186-1
COLOR	MATERIAL	PART NO.

THIS DRAWING IS A CONTROLLED DOCUMENT.		DWN JR RUTH 23JAN2008	TE Connectivity		
DIMENSIONS: mm [INCHES]		CHK PETE DESANTIS 23JAN2008			
TOLERANCES UNLESS OTHERWISE SPECIFIED:		APVD PETE DESANTIS 23JAN2008	NAME HOUSING, RECEPTACLE, FASTON, 7.92 [.312] SERIES		
0 PLC ±- 1 PLC ±- 2 PLC ±0.25 [.010] 3 PLC ±- 4 PLC ±- ANGLES ±-		PRODUCT SPEC -	RESTRICTED TO		
MATERIAL SEE TABLE material_2		APPLICATION SPEC -	SIZE A3	CAGE CODE 00779	DRAWING NO C-1969186
FINISH SEE TABLE finish_spec_2		WEIGHT -	SCALE 3:1 SHEET 1 OF 1 REV B4		
CUSTOMER DRAWING					