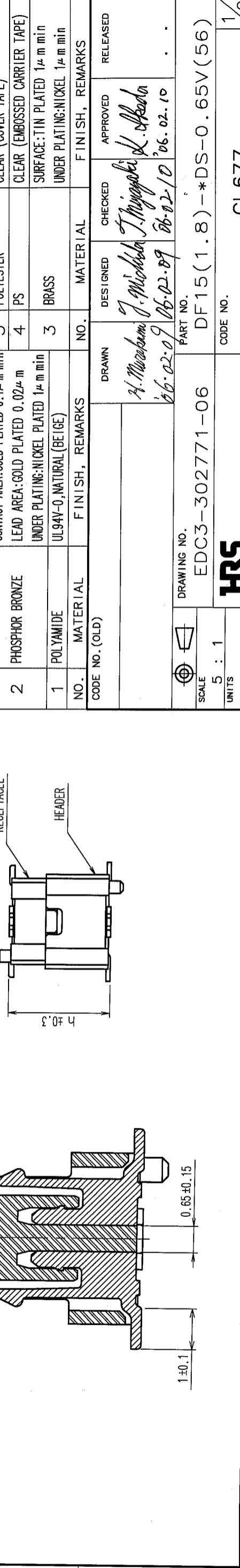
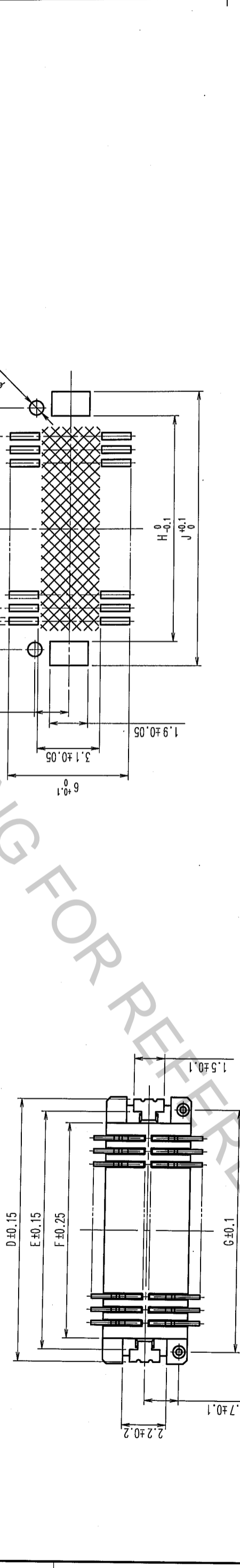
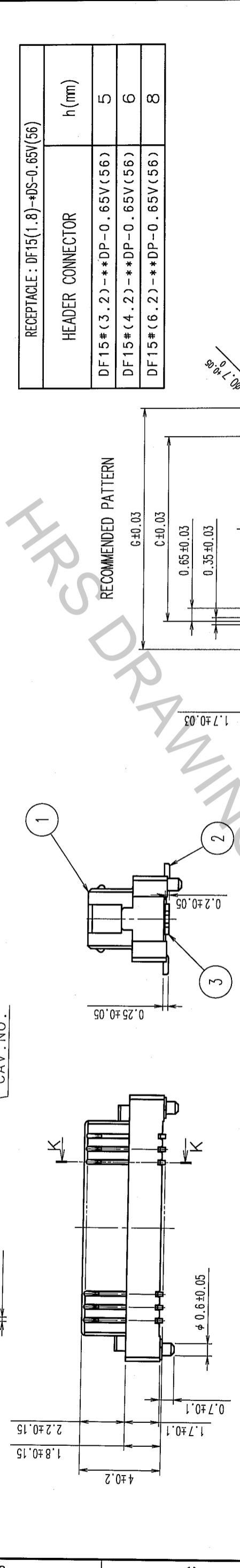
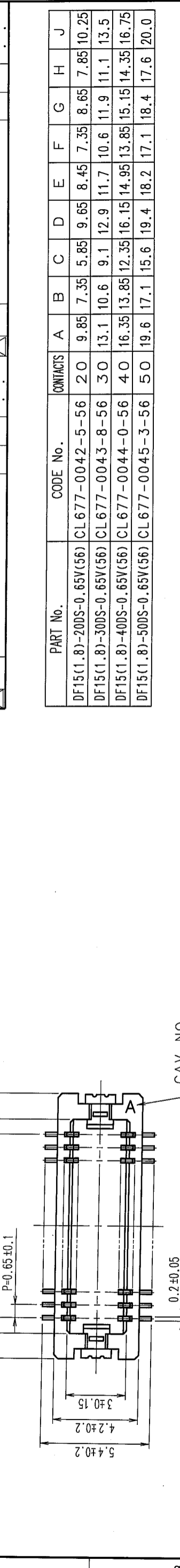


REVISIONS	BY	CHKD	DATE	COUNT	DESCRIPTION OF REVISIONS	BY	CHKD	DATE

REVISIONS	BY	CHKD	DATE	COUNT	DESCRIPTION OF REVISIONS	BY	CHKD	DATE

PART No.	CODE No.	CONTACTS	A	B	C	D	E	F	G	H	J
DF15(1.8)-20DS-0.65V(56)	CL677-0042-5-56	20	9.85	7.35	5.85	9.65	8.45	7.35	8.65	7.85	10.25
DF15(1.8)-30DS-0.65V(56)	CL677-0043-8-56	30	13.1	10.6	9.1	12.9	11.7	10.6	11.9	11.1	13.5
DF15(1.8)-40DS-0.65V(56)	CL677-0044-0-56	40	16.35	13.85	12.35	16.15	14.95	13.85	15.15	14.35	16.75
DF15(1.8)-50DS-0.65V(56)	CL677-0045-3-56	50	19.6	17.1	15.6	19.4	18.2	17.1	18.4	17.6	20.0

REVISIONS	BY	CHKD	DATE	COUNT	DESCRIPTION OF REVISIONS	BY	CHKD	DATE



NOTES 1 : LEAD CO-PLANARITY SHALL BE 0.1mm MAX.  
 2 : WATCH NOT LET THE CONTACTS TOUCH THE SECTION ESPECIALLY WHEN THE PADS OF AREA NOT RESIST FINISHED.

NO.	MATERIAL	FINISH, REMARKS	NO.	MATERIAL	FINISH, REMARKS
2	PHOSPHOR BRONZE	CONTACT AREA: GOLD PLATED 0.1μm min	6	PS	BLACK (PLASTIC REEL)
1	POLYAMIDE	LEAD AREA: GOLD PLATED 0.02μm	5	POLYESTER	CLEAR (COVER TAPE)
		UNDER PLATING: NICKEL PLATED 1μm min	4	PS	CLEAR (EMBOSSED CARRIER TAPE)
		UL94V-0, NATURAL (BEIGE)	3	BRASS	SURFACE: TIN PLATED 1μm min
					UNDER PLATING: NICKEL 1μm min

CODE NO. (OLD)	DRAWN	DESIGNED	CHECKED	APPROVED	RELEASED
	A. Maruyama	J. Michiba	J. Miyajima	K. Akada	
	06.02.09	06.02.09	06.02.10	06.02.10	

DRAWING NO.	PART NO.
EDC3-302771-06	DF15(1.8)-*DS-0.65V(56)

SCALE	UNITS	CODE NO.
5 : 1	mm	CL677

