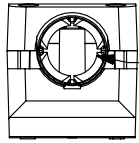
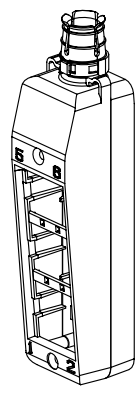
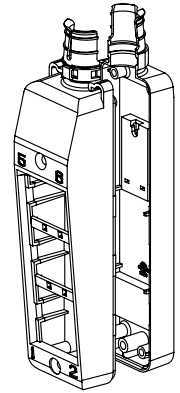
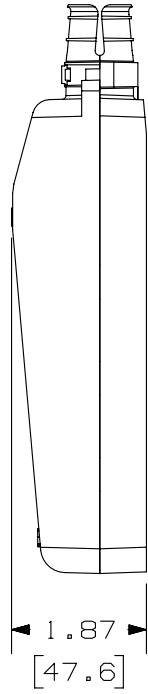
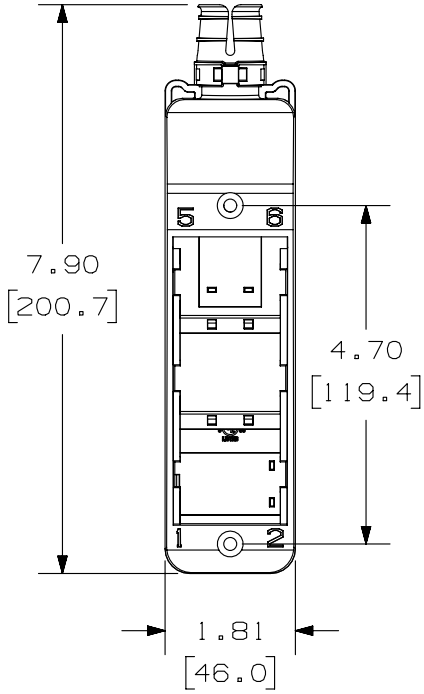


THIS COPY IS PROVIDED ON A RESTRICTED BASIS AND IS NOT TO BE USED IN ANY WAY DETRIMENTAL TO THE INTERESTS OF PANDUIT CORP.



.69 DIA
[17.6]



PANDUIT P/N	WEIGHT
CM6P**	2.06 LB/10 PCS (933.5 g/10 PCS)

- NOTES:
1. SEE CURRENT CATALOG FOR ADDITIONAL PART NUMBER SUFFIXES TO INDICATE COLOR AND OR PACKAGE QUANTITY.
 2. SEE CATALOG FOR COMPLETE LIST OF PARTS APPLICABLE FOR USE WITH THIS PART.
 3. DIMENSIONS IN [] ARE IN METRIC.
 4. PART INCLUDES:
 - 1- BASE
 - 1- COVER
 - 4- MOUNTING SCREW(USED TO SECURE COVER TO BASE)
 - 2- CABLE TIE
 - 1- HEAT SHRINK TUBING
 - 2- ADHESIVE TAPE

*ACCEPTS 3 1/2 SLOPED INSERTS, NOT INCLUDED

PART NUMBER		CM6P**	
TITLE			
MINI-COM 6 POSITION MUTOA BOX			
CUSTOMER DRAWING			
ITEM REVISION NAME		M02090AA/07	
DATASET FILE NAME		M02090AA_DC/07A	
UNLESS OTHERWISE SPECIFIED, DIMENSIONAL TOLERANCES ARE: IN [mm]		MATERIAL:	
.x ± .xxx ± .010 [.3]		PC	
.xx ± .03 [.8]		DRAWING NUMBER:	
ANGLES ±		02090-03	
THIRD ANGLE PROJECTION		SHT 1 OF 1	
DRAWN BY	DATE	CHK	SCALE
JSP	11-15-04	EB	NONE
REV	DATE	BY	CHK
2	5/1/14	JSP	REFR
APR	DESCRIPTION		ECN
MMR	REVISED AND REDRAWN, PREVIOUS REVISIONS HAVE BEEN OMITTED.		02090-03

D10100DA/14