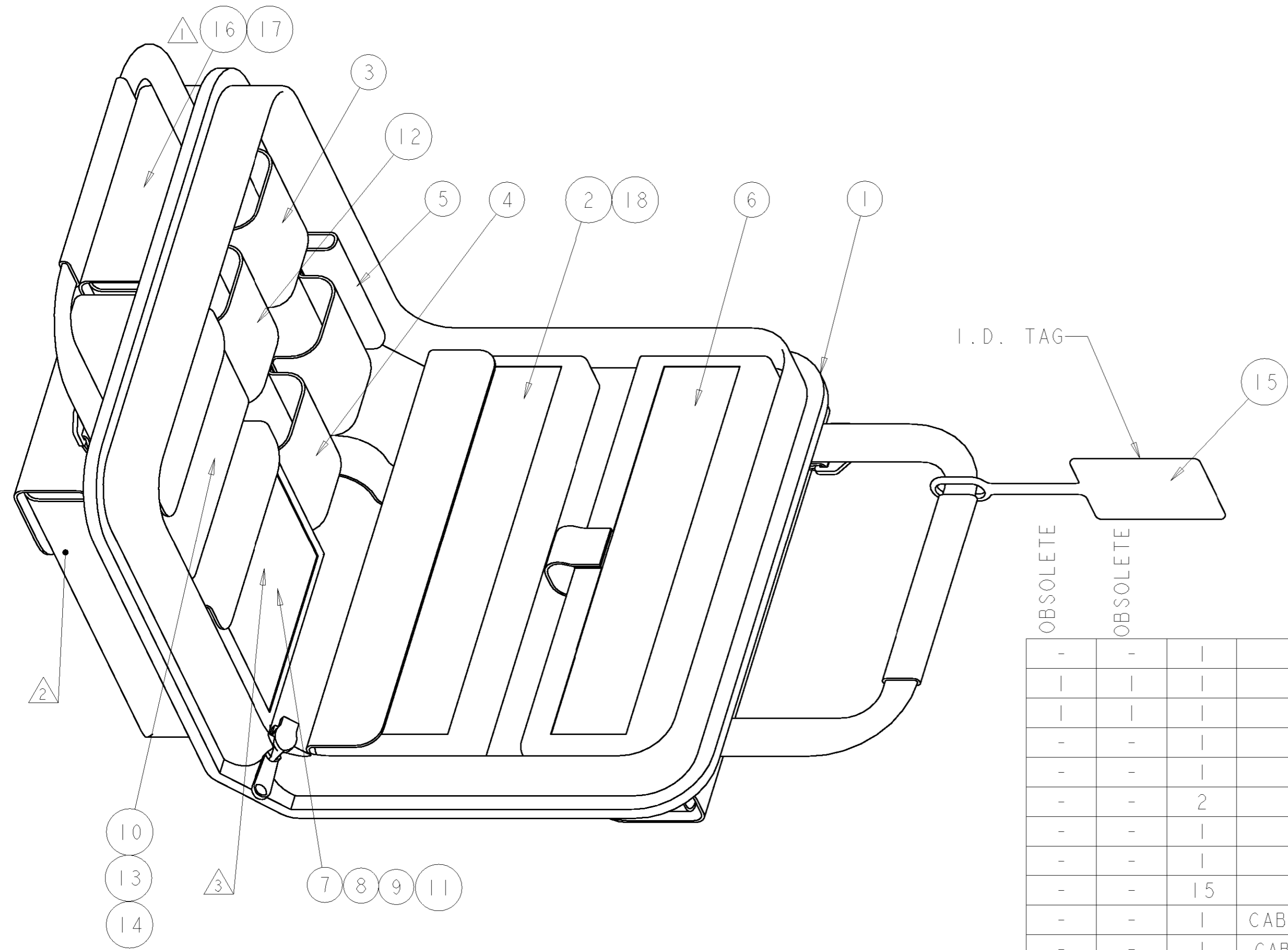


THIS DRAWING IS UNPUBLISHED. RELEASED FOR PUBLICATION 20
 © COPYRIGHT 20 BY TYCO ELECTRONICS CORPORATION. ALL RIGHTS RESERVED.

LOC	DIST	REVISIONS					
		P	LTR	DESCRIPTION	DATE	DWN	APVD
CE	16		M	REVISED PER 0A00-0235-01	23JAN2002	TA	BE
			N	REVISE PER 0A00-0349-02	16APR2002	BB	DK



- △ 1 AMP INSTRUCTION SHEETS AND MANUFACTURERS' INSTRUCTION SHEETS
- △ 2 OPTIONAL SHOULDER STRAP
- △ 3 PLACE 2.5mm UNIVERSAL ADAPTER FROM MICROSCOPE 502978-1, ITEM 17, INTO POCKET.

SCALE 1:2

-	-	1	BALL END HEX KEY (5)	1457999-1	18
1	1	1	CD-ROM, MT-RJ TERM TRAINING	1435138-1	17
1	1	1	CD - ROM, TERMINATION TRAINING	1374503-1	16
-	-	1	LABEL, TERMINATION KIT	1374331-1	15
-	-	1	STRIP TEMPLATE, MT-RJ	1278598-1	14
-	-	2	ACTUATION KEY, MT-RJ	1278576-1	13
-	-	1	MICRO-STRIPPER, MT-RJ	492109-2	12
-	-	1	OPTIMATE CABLE STRIPPER	501198-1	11
-	-	15	ALCOHOL FIBER WIPE	501857-2	10
-	-	1	CABLE/BUFFER HOLDER,LightCrimp Plus AMP SC	1278023-1	9
-	-	1	CABLE/BUFFER HOLDER,LightCrimp Plus ST-STYLE	492703-1	8
-	-	1	LightCrimp Plus DIESET, ST-STYLE	492622-1	7
-	-	1	LightCrimp Plus PROCRIMPER W/DIESET,AMP SC	492782-1	6
2	2	2	WRENCH, 1/4 OPEN END	1278422-1	5
1	1	1	KEVLAR SHEARS	1278637-1	4
1	1	1	STRIP TOOL,FIBER,COMBINATION	1278947-1	3
-	-	1	CLEAVE TOOL, S-315	492674-1	2
1	1	1	PREMIUM SOFTCASE	1278540-1	1
-3	-2	-1	DESCRIPTION	PART NUMBER	ITEM

THIS DRAWING IS A CONTROLLED DOCUMENT FOR TYCO ELECTRONICS CORPORATION. IT IS SUBJECT TO CHANGE AND THE CONTROLLING ENGINEERING ORGANIZATION SHOULD BE CONTACTED FOR THE LATEST REVISION.

DWN: I. ALEXANDER 15NOV2000
 CHK: M. HAMONKO 15NOV2000
 APVD: S. BUCHTER 15NOV2000

AMP Tyco Electronics
 Harrisburg, PA 17105-3608

NAME: TERMINATION KIT, COMBINATION, LightCrimp Plus AND MT-RJ JACK

SIZE: A2 CAGE CODE: 00779 DRAWING NO: 1278118 RESTRICTED TO: -

CUSTOMER DRAWING SCALE: 1:2 SHEET 1 OF 1 REV N