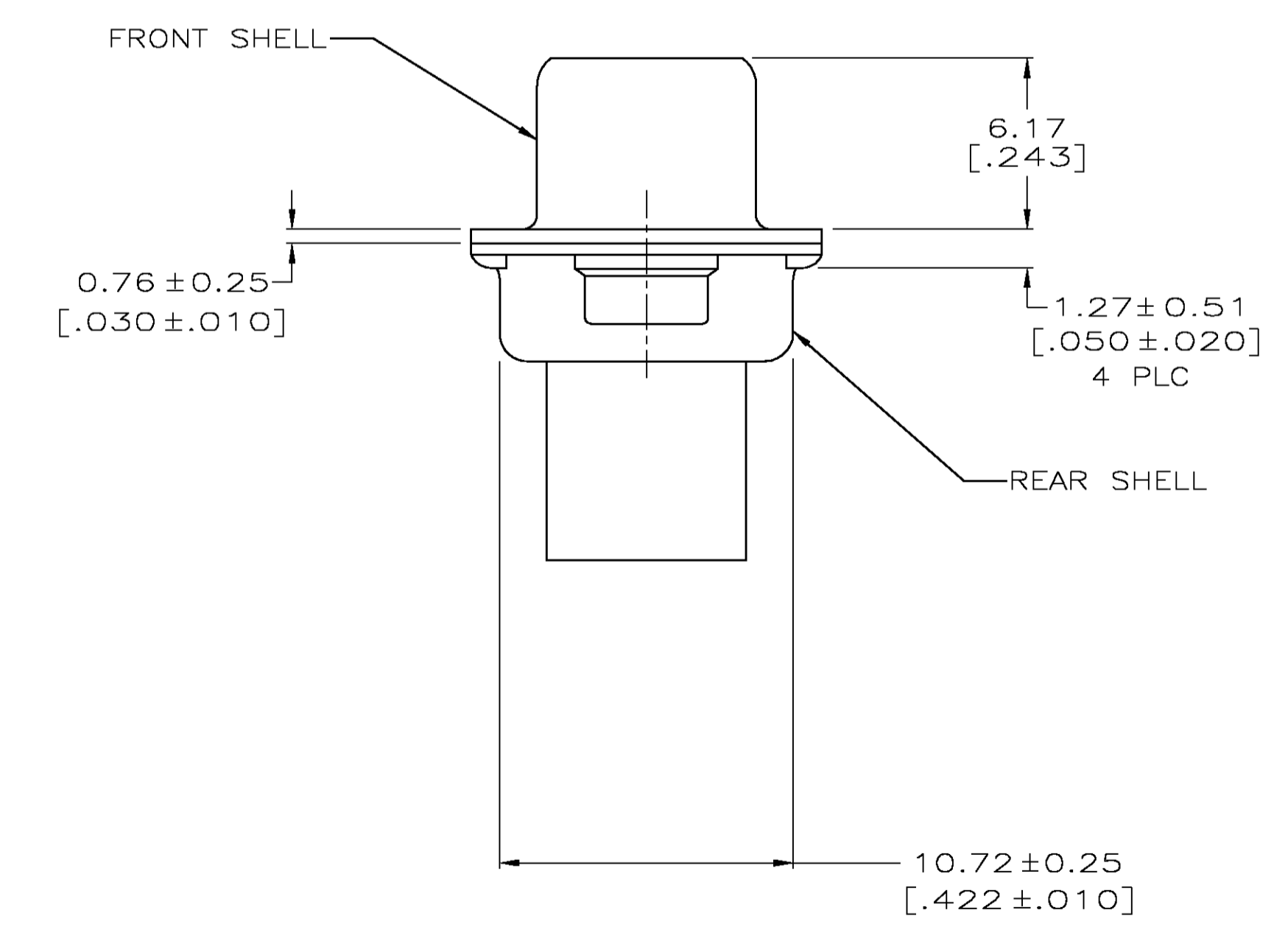
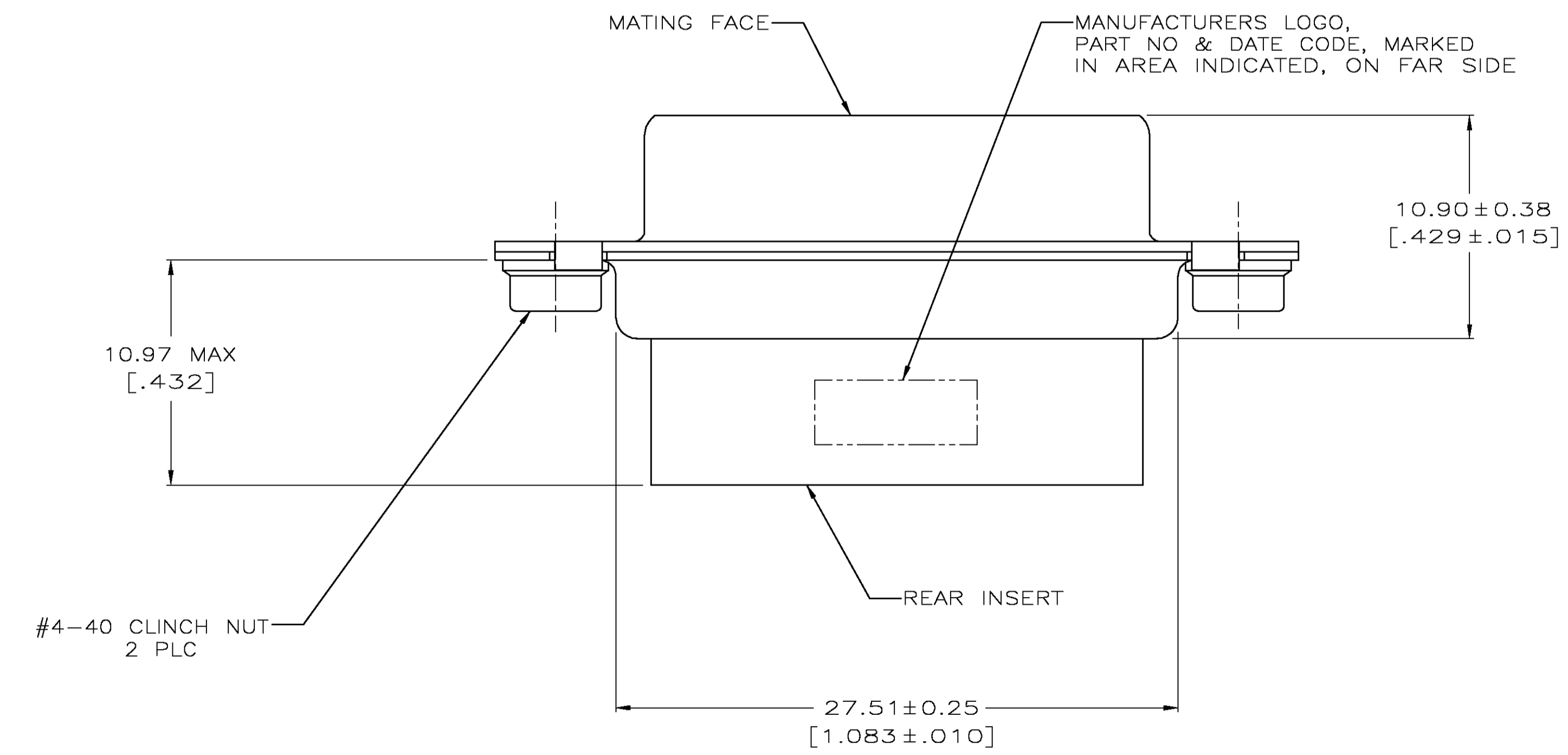
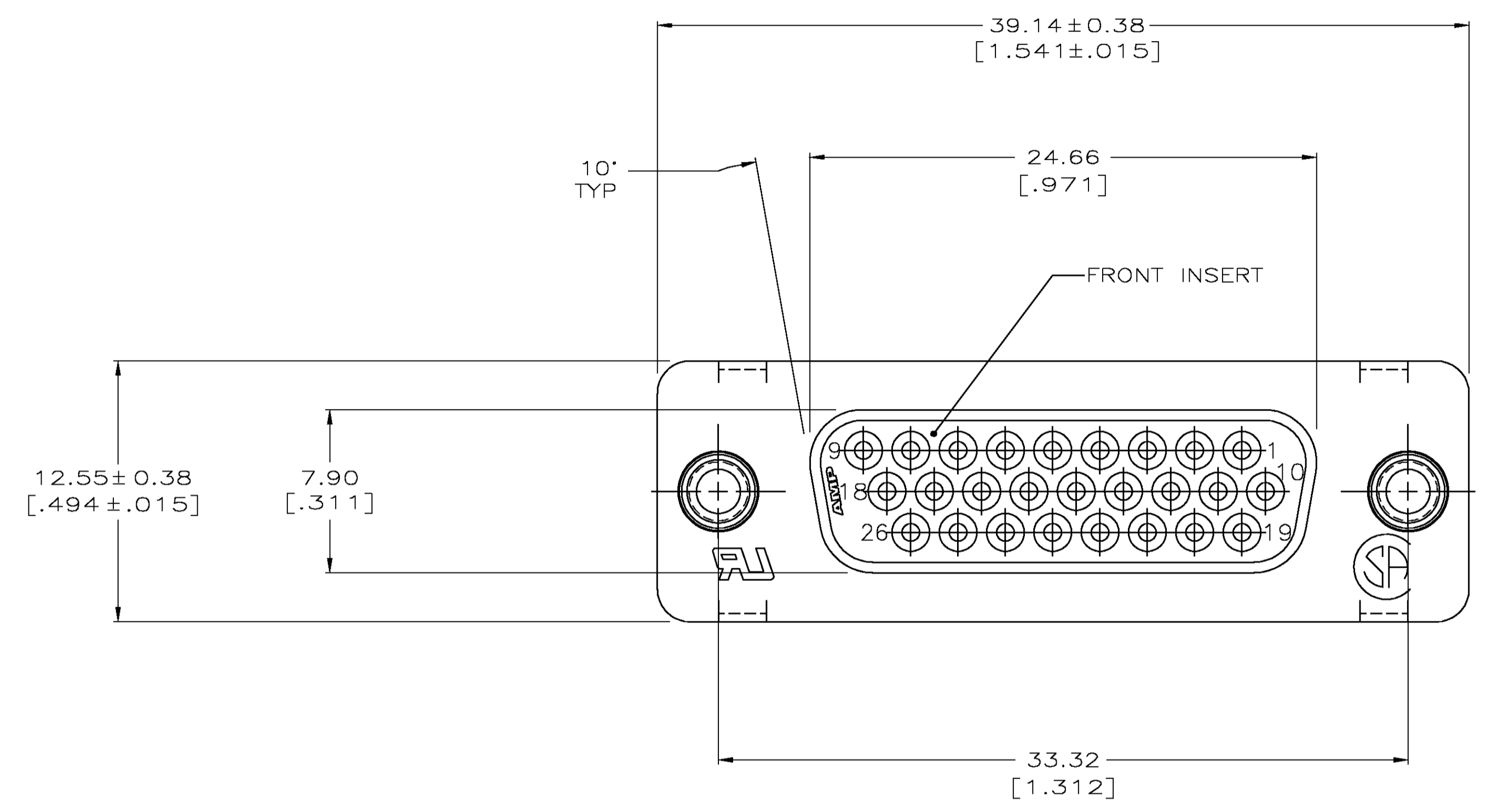


△ FRONT SHELL, REAR SHELL & CLINCH NUTS: CARBON STEEL; FRONT & REAR INSERTS: NYLON, COLOR BLACK.  
 △ FRONT & REAR SHELLS: 5.08µm [.000200] MIN TIN OVER 2.54µm [.000100] MIN COPPER.  
 CLINCH NUTS: ZINC, CLEAR CHROMATE.



5788816-1  
 PART NO

THIS DRAWING IS A CONTROLLED DOCUMENT.		DWN G. ATTADIA - 11-12-04	Tyco Electronics Corporation Harrisburg, PA 17105-3608
DIMENSIONS: mm [inches]		CHK J. GERACE - 11-12-04	
TOLERANCES UNLESS OTHERWISE SPECIFIED:		APVD W. WALMSLEY - 11-12-04	NAME RECEPTACLE CONNECTOR, SIZE 2, 26 POSN. WITH SELF LOCKING CLINCH NUTS, AMPLIMITE® HDP-22
0 PLC ± -		PRODUCT SPEC 108-1268	
1 PLC ± -		APPLICATION SPEC 114-10001	SIZE A1
2 PLC ± 0.13 [.005]		RESTRICTED TO	SCALE 5:1
3 PLC ± -		WEIGHT	SHEET 1 OF 1
4 PLC ± -		CUSTOMER DRAWING	REV 0
ANGLES ± ± Z			
FINISH			