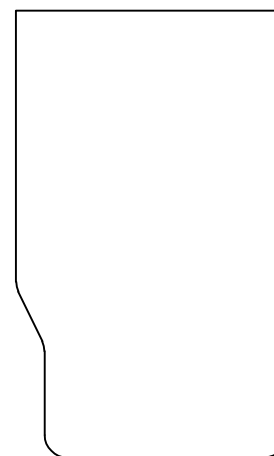
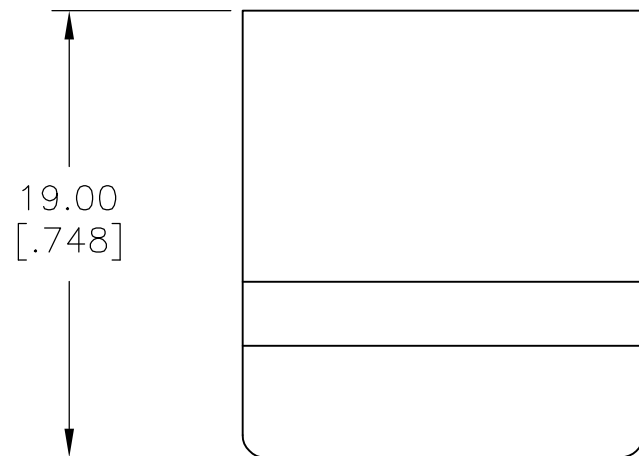
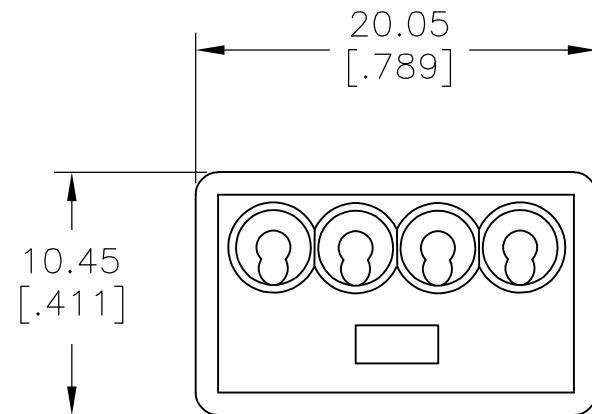


THIS DRAWING IS UNPUBLISHED. RELEASED FOR PUBLICATION
 © COPYRIGHT - By - ALL RIGHTS RESERVED.

LOC	DIST	REVISIONS					
		P	LTR	DESCRIPTION	DATE	DWN	APVD
-	-		A	NEW DRAWING	03OCT2015	NK	RH



- HOUSING MATERIAL : POLYCARBONATE (PC), FLAME-RETARDANT TO UL 94-V0
- VOLTAGE : 600V(UL), 450V(IEC)
- CURRENT : 24A(IEC)
- WORKING TEMPERATURE : T110(IEC), 105°C(UL)
- WIRE RANGE : 22-12 AWG, SOL/STR Cu(UL), 0.5-2.5mm²(VDE)
- STRIPPING LENGTH : 11.0[.43]

2299516 AS SHOWN

THIS DRAWING IS A CONTROLLED DOCUMENT.		DWN NAGALAKSHMI K	03OCT2015			STE TE Connectivity
		CHK HILL, RYAN	03OCT2015			
DIMENSIONS: mm [INCHES]		TOLERANCES UNLESS OTHERWISE SPECIFIED:		APVD HILL, RYAN		NAME CPGI-WC-PG-4-PORT-BULK
		0 PLC ± -		03OCT2015		PRODUCT SPEC -
		1 PLC ± 0.2[.008]		APVD HILL, RYAN		
		2 PLC ± 0.40[.016]		APPLICATION SPEC		SIZE A3
		3 PLC ± -		WEIGHT -		
		4 PLC ± -		DRAWING NO C-2299516		RESTRICTED TO -
		ANGLES ± -		SCALE 1:1		
MATERIAL -		FINISH -		CUSTOMER DRAWING		REV A