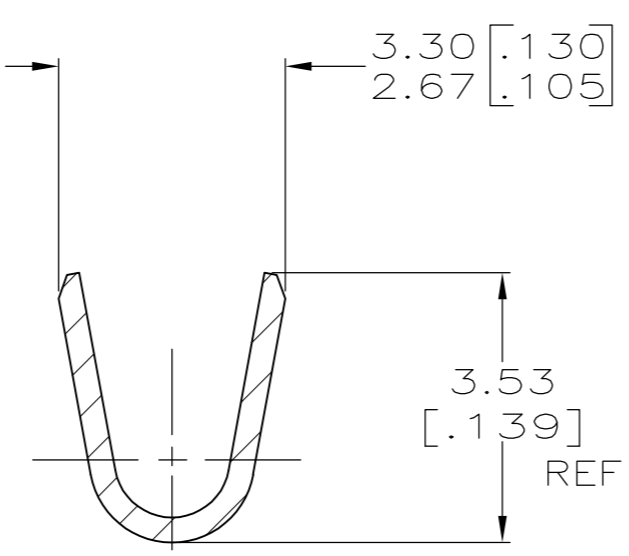
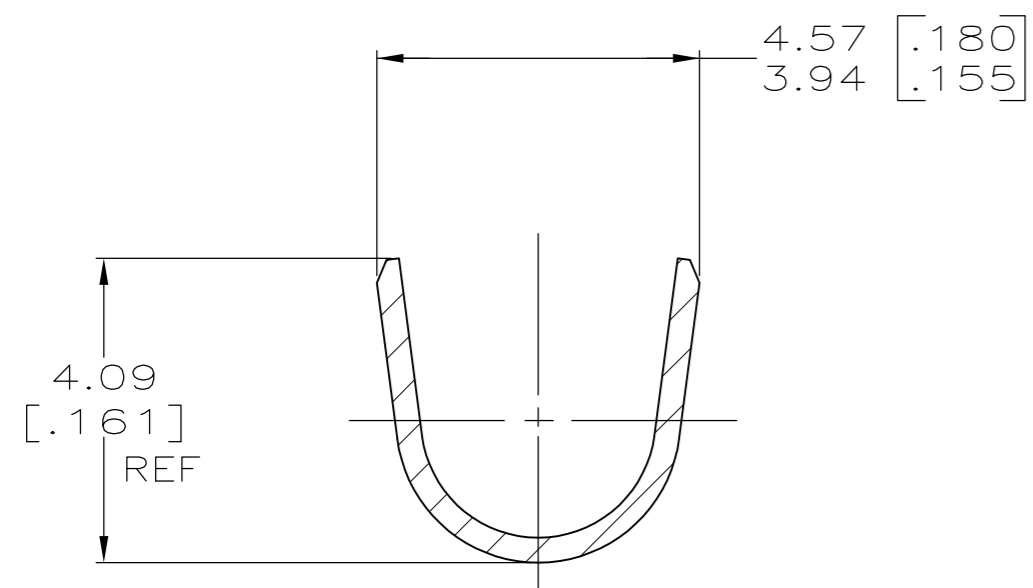
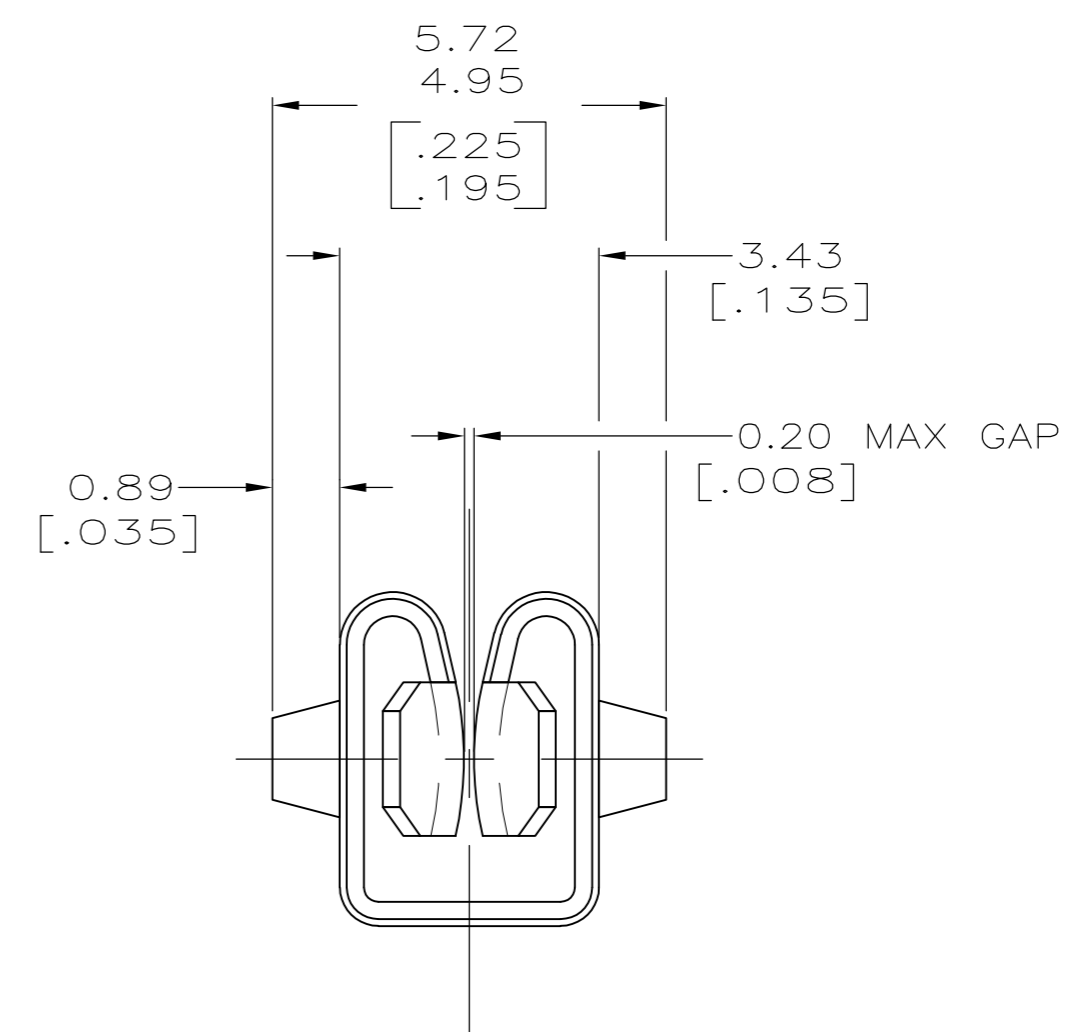
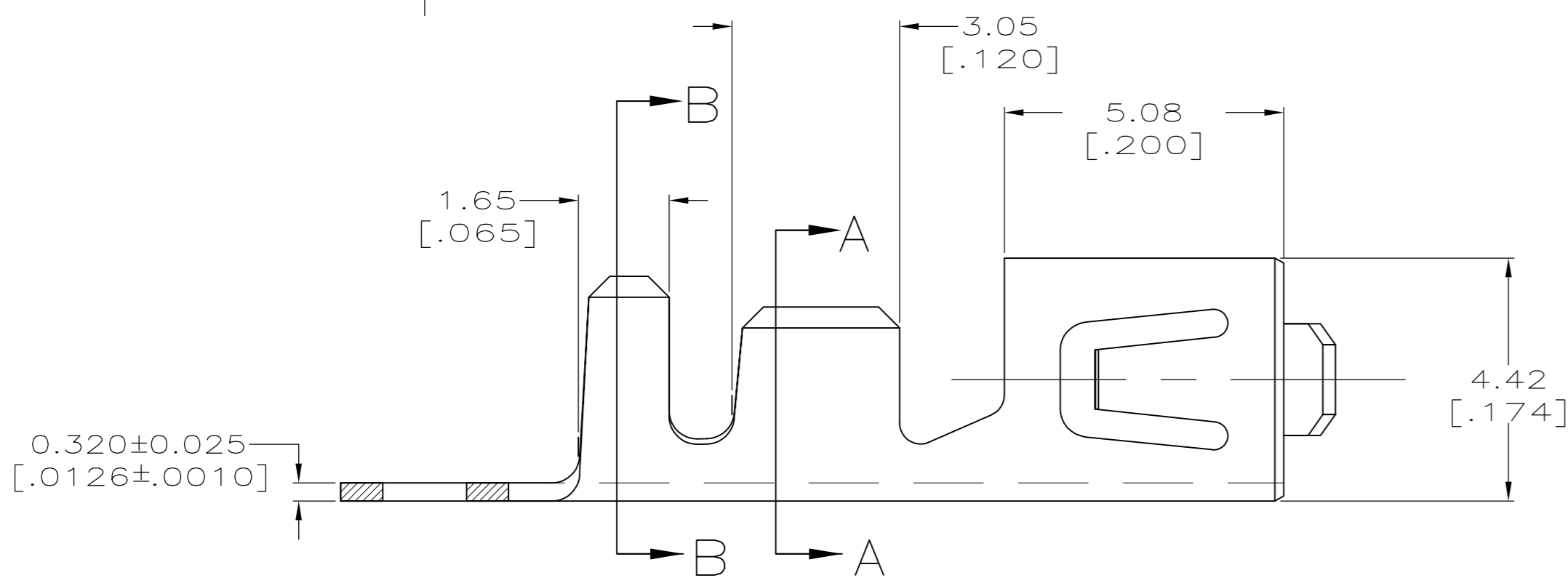
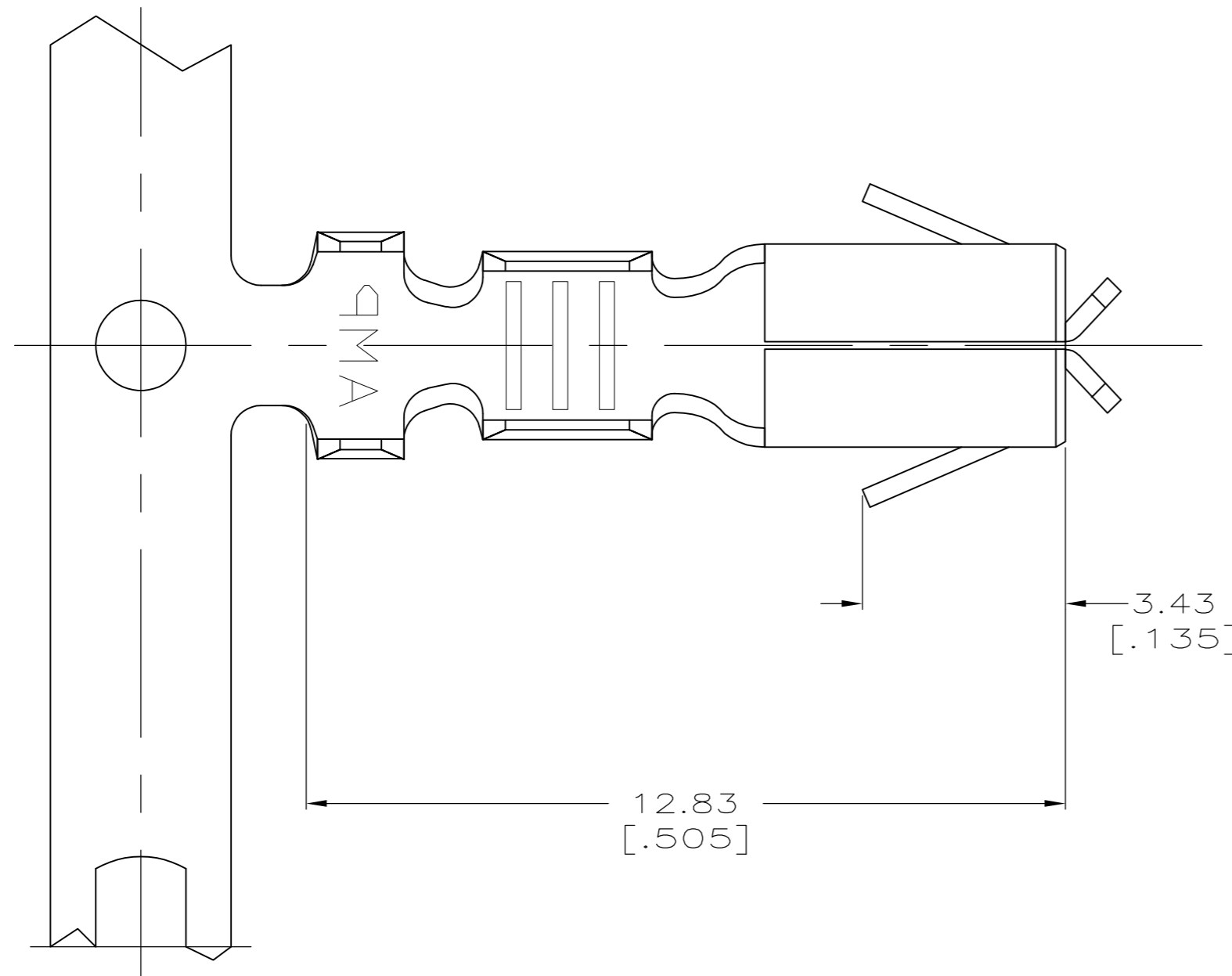


THIS DRAWING IS UNPUBLISHED. RELEASED FOR PUBLICATION
 © COPYRIGHT BY TYCO ELECTRONICS CORPORATION. ALL RIGHTS RESERVED.

LOC	DIST	REVISIONS			
P	LTR	DESCRIPTION	DATE	DWN	APVD
AF	50	Y1	REVISED PER ECR-07-008696	04MAY07	HMR JK

- 1 CONTINUOUS STRIP ON REELS.
- 2 TERMINAL TO ACCEPT A 0.51 [.020] X 3.18 [.125] TIN PLATED TAB.
- 3 THIS PART TO BE USED WITH HOUSING PART NUMBERS; 480553 AND 480556.
- 4 0.000381 [.000015] MIN PRE-TIN PLATE.
- 5 0.002032 [.000080] MIN POST-TIN PLATE.
- 6 PREPRODUCTION - F.A.S.R. REQUIRED.



OBSOLETE	5	H06 BRASS	2.16-3.18 [.085-.125]	#20-#14 AWG	61603-5
OBSOLETE	NONE	SPRING COPPER	2.16-3.18 [.085-.125]	#20-#14 AWG	61603-4
OBSOLETE	4	SPRING COPPER	2.16-3.18 [.085-.125]	#20-#14 AWG	61603-3
OBSOLETE	NONE	H06 BRASS	2.16-3.18 [.085-.125]	#20-#14 AWG	61603-2
	4	H06 BRASS	2.16-3.18 [.085-.125]	#20-#14 AWG	61603-1
FINISH	MATERIAL	INSULATION RANGE	WIRE RANGE	PART NUMBER	

THIS DRAWING IS A CONTROLLED DOCUMENT.

DIMENSIONS: mm [INCHES]	TOLERANCES UNLESS OTHERWISE SPECIFIED: 0 PLC ± - 1 PLC ± - 2 PLC ± 0.25[.010] 3 PLC ± - 4 PLC ± - ANGLES ± -	DWN 24AUG2000 MICHAEL S. FEHER CHK 25AUG2000 DONALD DECKER APVD 25AUG2000 DONALD DECKER	Tyco Electronics Corporation Harrisburg, Pa 17105-3608 NAME: MICHAEL S. FEHER PRODUCT SPEC: - APPLICATION SPEC: - WEIGHT: -		
MATERIAL: H06 BRASS	FINISH: PRE-TIN PLATE	SIZE: A2	CAGE CODE: 00779	DRAWING NO: C=61603	RESTRICTED TO: -
CUSTOMER DRAWING			SCALE: 10:1	SHEET: 1 OF 1	REV: Y1