

PRODUCT DATASHEET

Lisa series

last update 20/9/2016

DETAILS

Product Number	CP10641_LISA-SS
Family	Lisa
Type	Assembly
Color	white
Diameter	10,8 mm
Height	7,3 mm
Style	round
Optic Material	PMMA
Holder Material	
Fastening	glue
Status	production ready
ROHS Compliant	Yes
Date Updated	20/09/2016

OPTICAL PROPERTIES

LED	Viewing Angle	Light Beam	Efficiency	cd/lm	Connector
XP-E	22 deg	Smooth spo...	.86 %	3.800	-
XP-G	30 deg	Smooth spo...	.87 %	2.900	-
Z5	sim: 19	Smooth spo...	.86 %	-	-

D

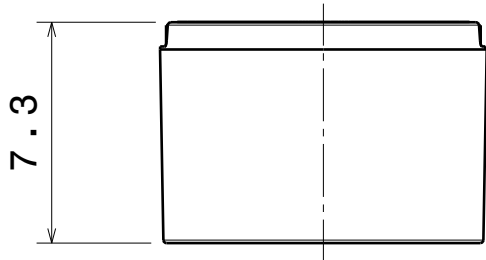
C

B

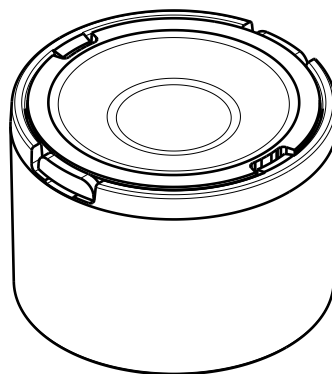
A

4

4



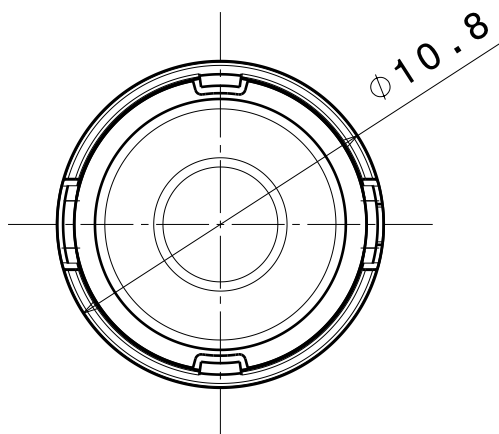
Front view



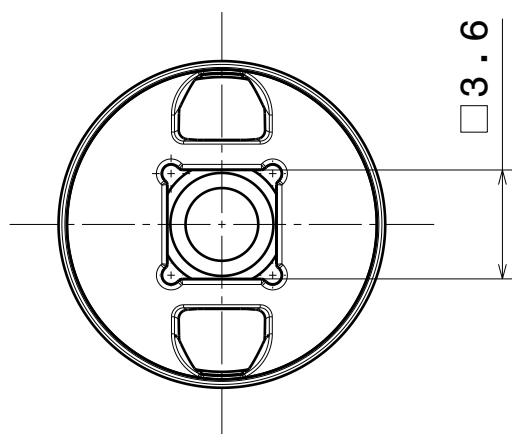
Isometric view
Scale: 4:1

3

3



Top view



Bottom view

2

2

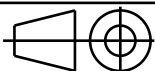
INDEX	PART NO	DESCRIPTION	MATERIAL	COLOUR
1	C10523	LISA-R1-SS	PMMA	clear
	C10640	LISA-XP-HLD	PC	white

Tolerances if not otherwise shown
According to DIN ISO 2768-1
Linear measures:
Up to 30mm class M, otherwise class C.
According to DIN ISO 2768-2
Form and position: class L

LEDiL

Ledil Oy
Salorankatu 10
FIN 24240 SALO
Finland

THIRD ANGLE PROJECTION:



DRAWING TITLE

CP10641_LISA-SS

This drawing is the property
of LEDiL Oy. It may not be
reproduced, copied or
communicated without a written
agreement with LEDiL Oy.

SIZE PART NUMBER

A4

CP10641

SCALE 4:1 WEIGHT 0,5 g SHEET 1/1

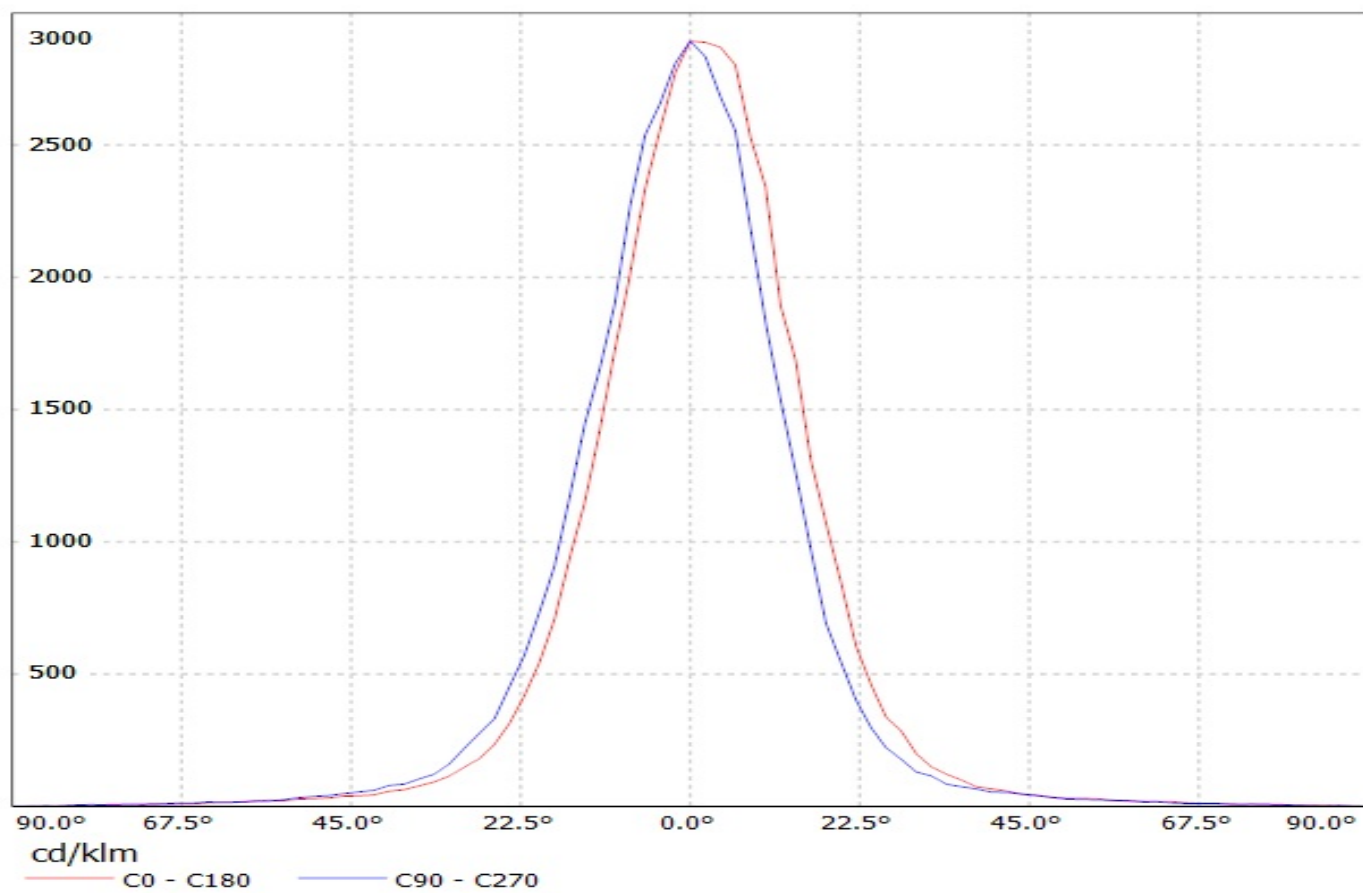
D

A

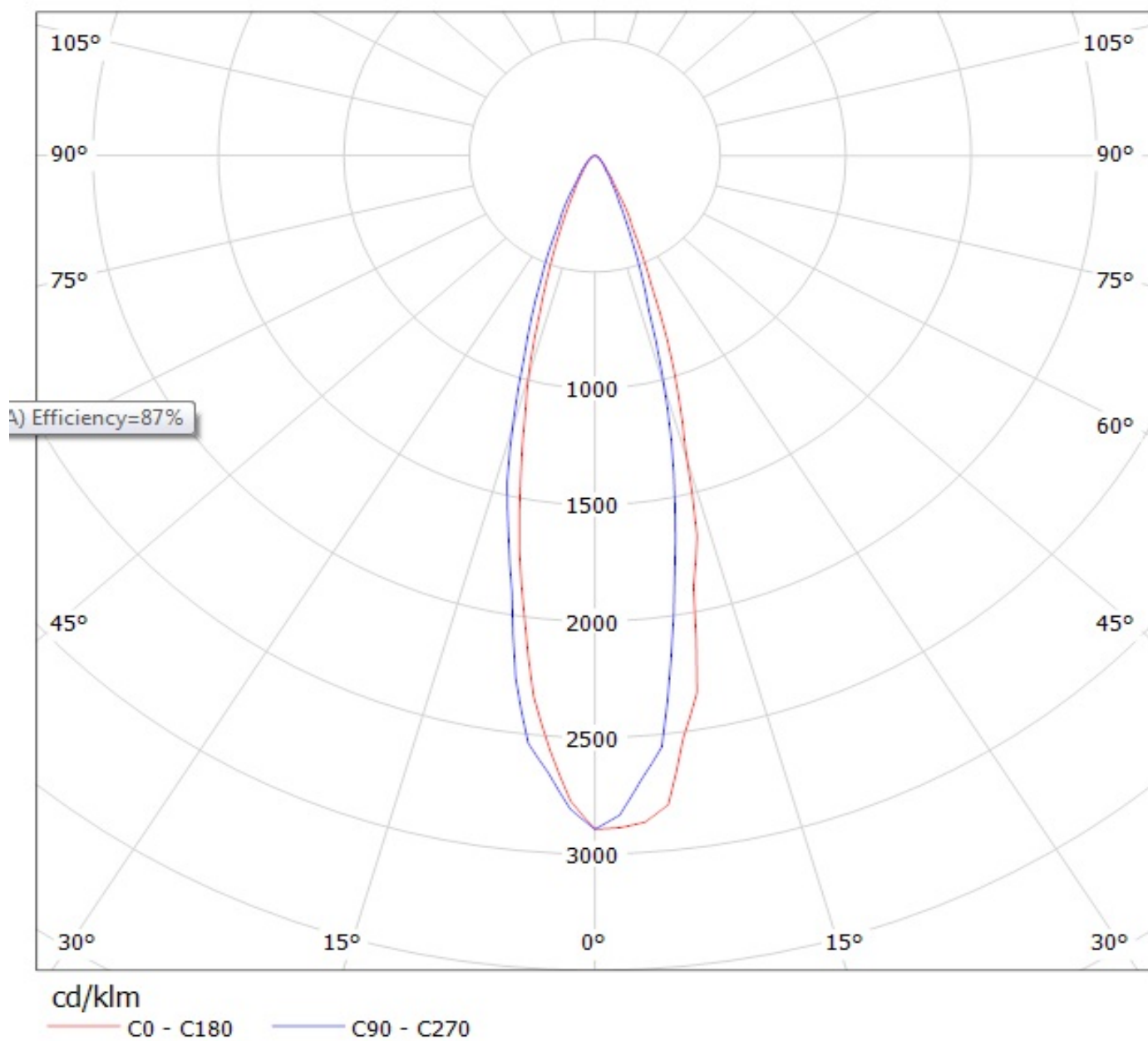
1

1

Luminaire: Ledil Oy CP10641_LISA-SS-XP-G (Cree XP-G 62lm @ 250mA) Efficiency=87%
Lamps: 1 x Cree XP-G 62lm @ 250mA



Luminaire: Ledil Oy CP10641_LISA-SS-XP-G (Cree XP-G 62lm @ 250mA) Efficiency=87%
Lamps: 1 x Cree XP-G 62lm @ 250mA



NOTE: The typical divergence will be changed by different color, chip size and chip position tolerance. The typical total divergence is the full angle measured where the luminous intensity is half of the peak value.