

## DETAILS

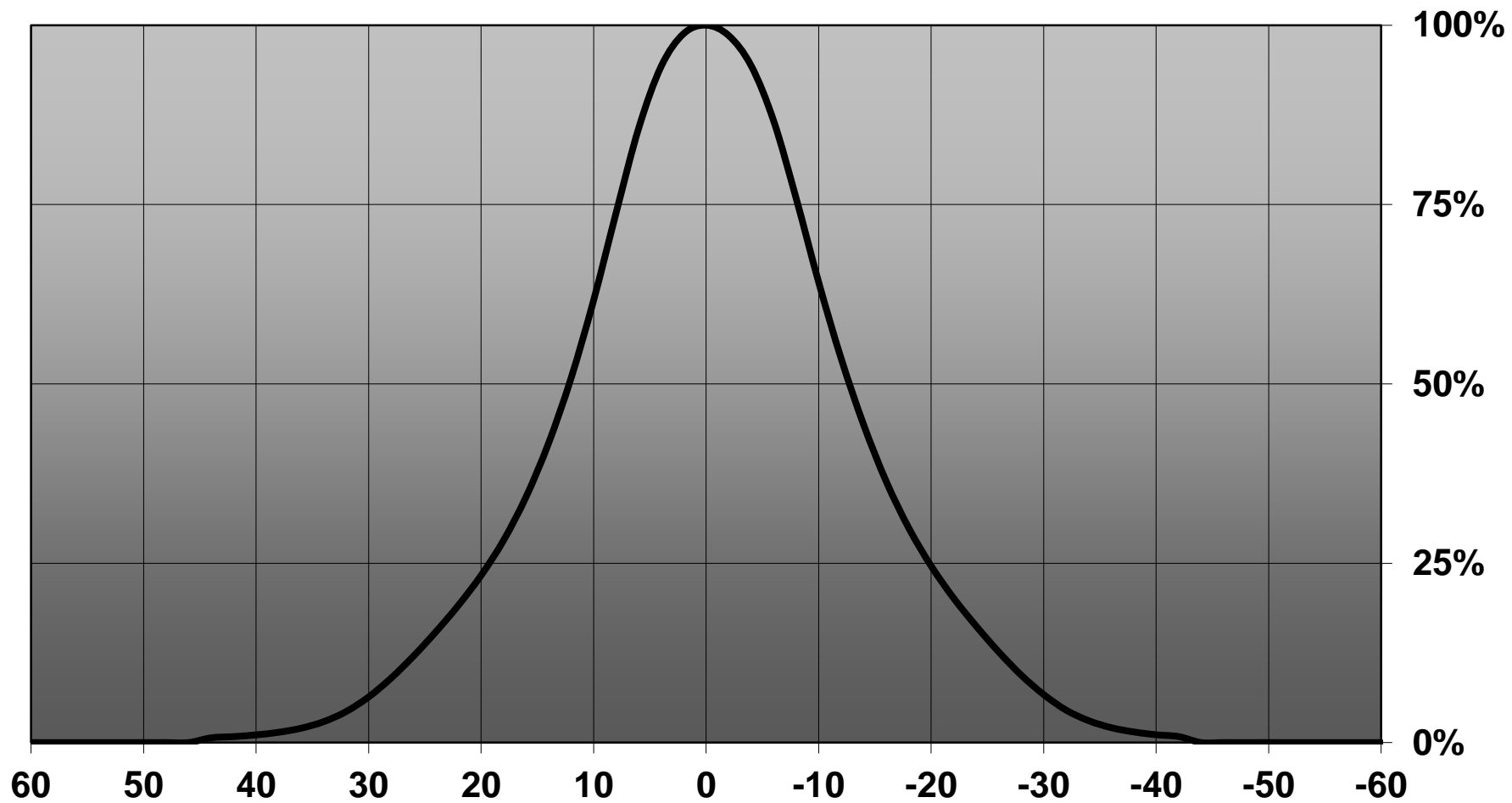
<b>Product Number</b>	CN13650_LENA-SS-DL
<b>Family</b>	Lena
<b>Type</b>	RefPack
<b>Color</b>	metal
<b>Diameter</b>	111 mm
<b>Height</b>	87,6 mm
<b>Style</b>	round
<b>Optic Material</b>	PC
<b>Holder Material</b>	
<b>Fastening</b>	
<b>Status</b>	production ready
<b>ROHS Compliant</b>	Yes
<b>Date Updated</b>	19/01/2015

## OPTICAL PROPERTIES

LED	Viewing Angle	Light Beam	Efficiency	cd/lm	Connector
CLL04x/CLU04x	24 deg	Smooth spo...77 %		2.950	-
LUXEON CoB 1216	24 deg	Smooth spo...82 %		3.200	-
CXM-22	25 deg	Smooth spo...76 %		3.000	LEDiL: LEDiL
COB D Series LES 22 mm	25 deg	Smooth spo...82 %		3.100	-
ZC25/40	23 deg	Smooth spo...74 %		2.860	-



### Relative intensity of CN13650\_LENA-SS-DL\_(CXM-22)



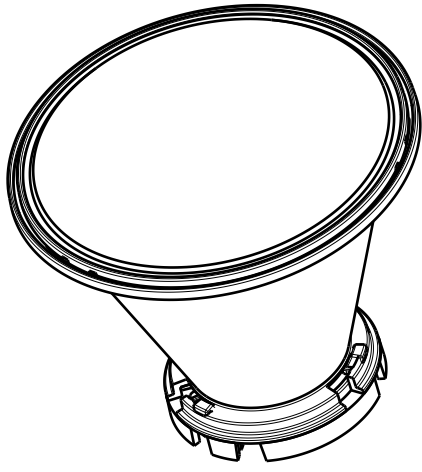
— 1: 0-180

D

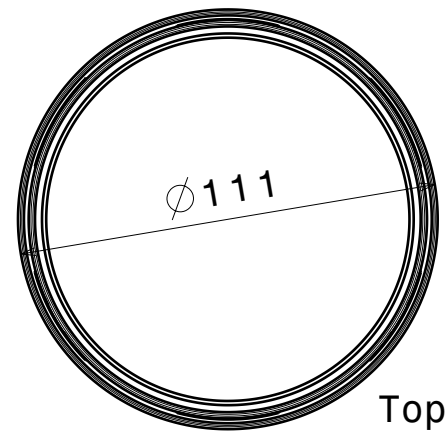
C

B

A



Isometric view



Top view

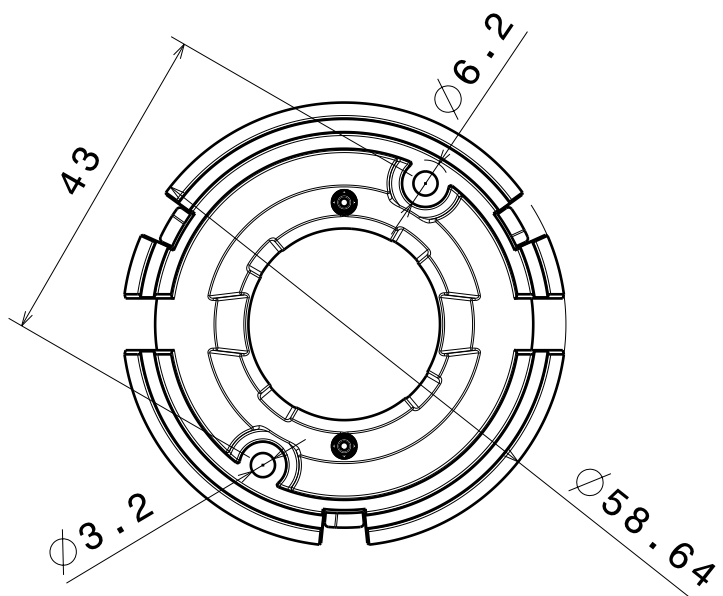
Ø111

4

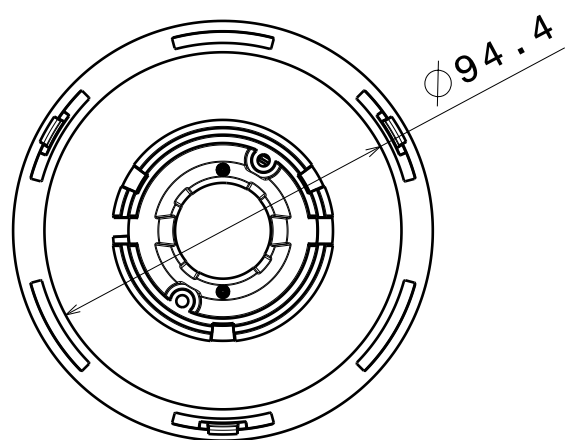
4

3

3



Base part  
Scale: 1:1



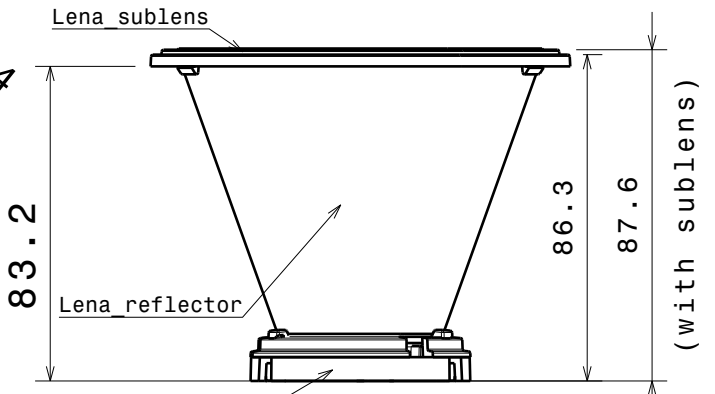
Bottom view

Ø94.4

2

2

- Material:
- Sublens  
-PMMA
- Reflector:  
-PC  
-Metal coating and clear lacquer
- Holder base:  
-PC  
-Color: white



Front view

Lena sublens

83.2

Lena reflector

86.3

87.6

(with sublens)

Lena-STD-Base CLL040

Tolerances if not otherwise shown  
According to DIN ISO 2768-1  
Linear measures:  
up to 30mm class M, otherwise class C  
According to DIN ISO 2768-2  
Form and position: class L

**LEDiL** LediL Oy  
Salorankatu 10  
FIN 24240 SALO  
Finland

THIRD ANGLE PROJECTION:

DRAWING TITLE  
**LENA-CLL040 assembly datasheet**

This drawing is the property of LEDiL Oy. It may not be reproduced, copied or communicated without a written agreement with LEDiL Oy.

SIZE	PART NUMBER
A4	-

SCALE	1:1	WEIGHT	-	SHEET	1/1
-------	-----	--------	---	-------	-----

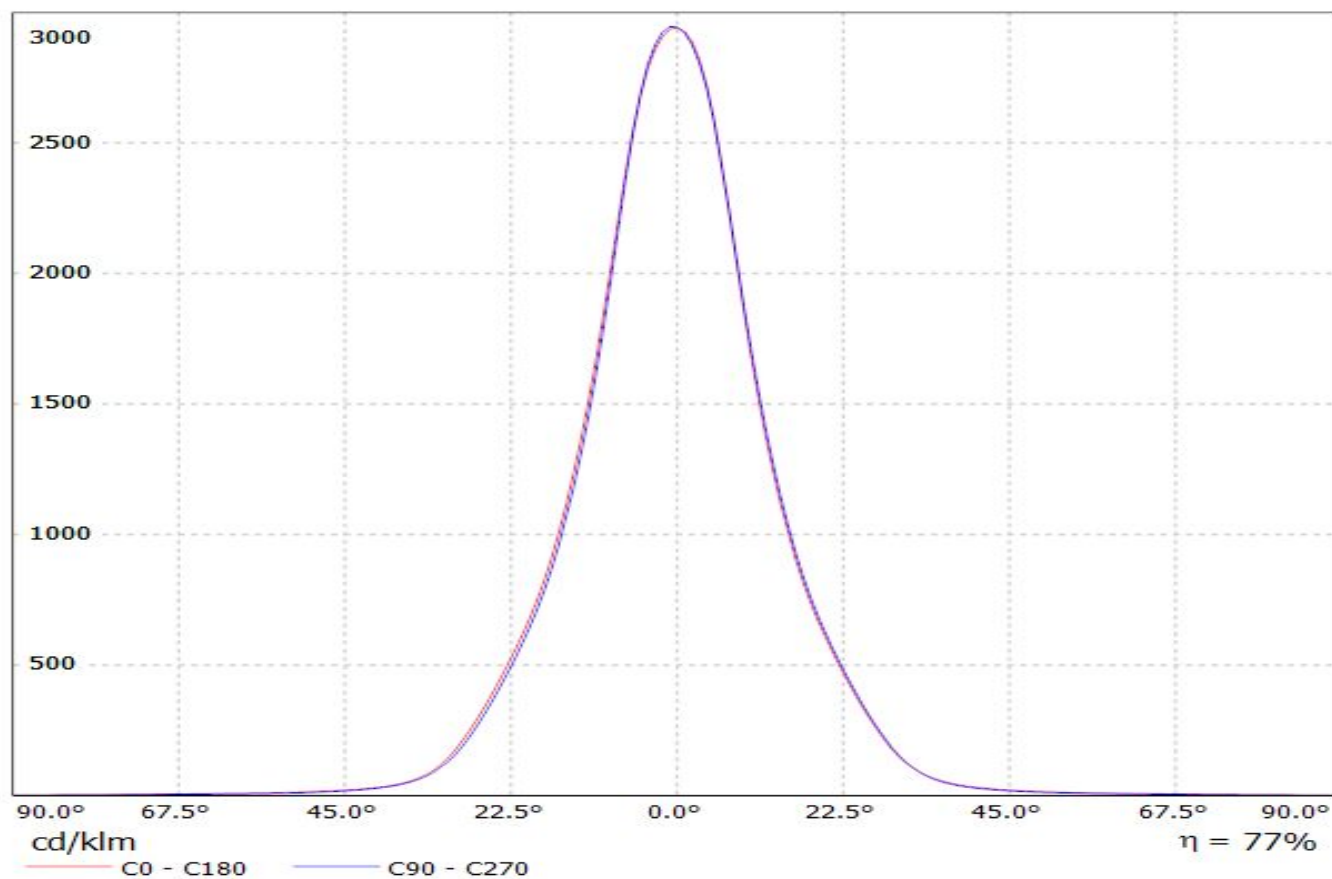
1

1

D

A

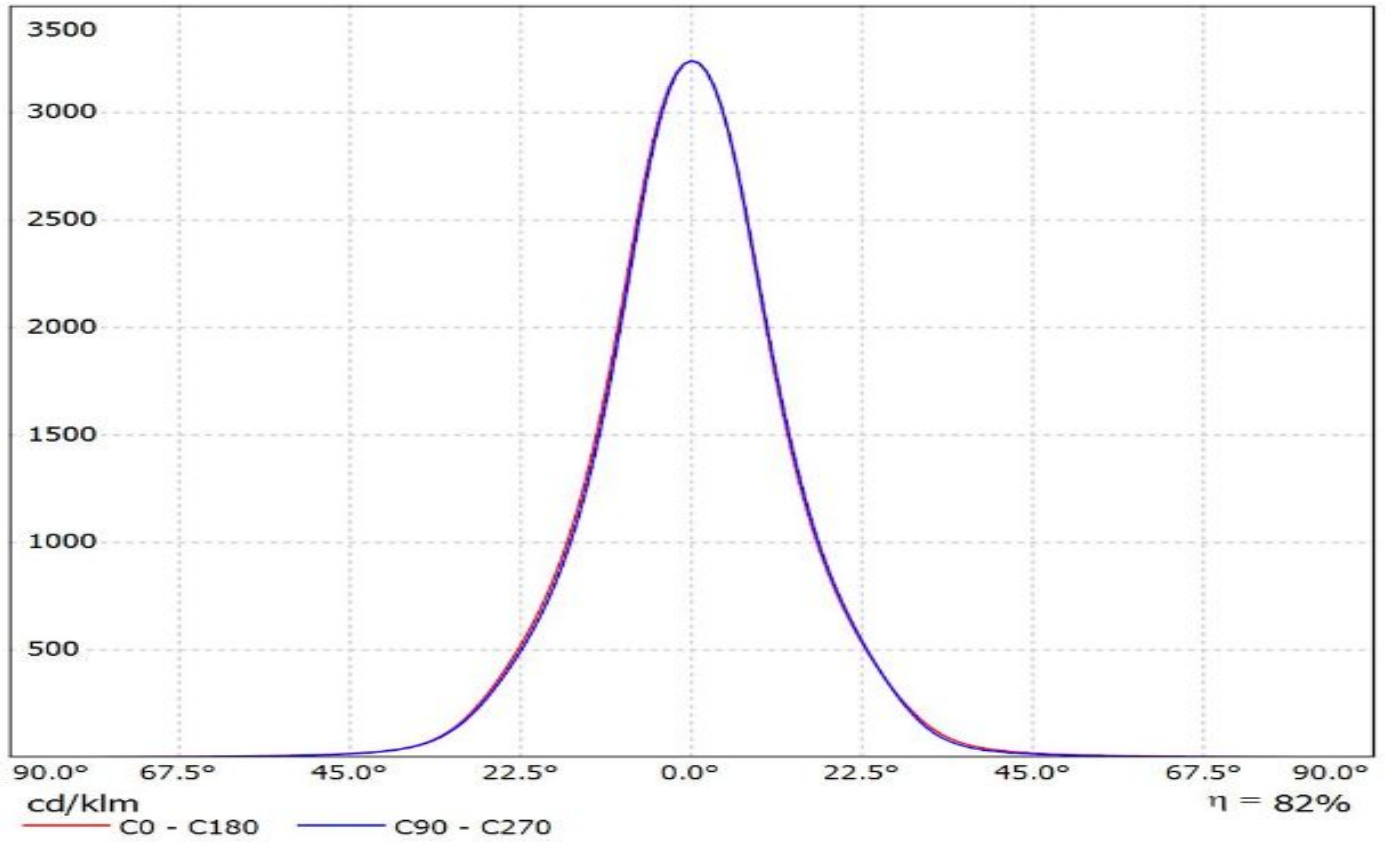
Luminaire: LEDiL Oy CN13650\_LENA-SS-DL\_(CLL040) Eff.77%  
Lamps: 1 x CITIZEN\_CLL040\_629.691lm@250mA\_P=7.98885W\_I=249.8mA



# Ledil CN13650\_LENA-SS-DL\_(CoB\_1216) / LDC (Linear)

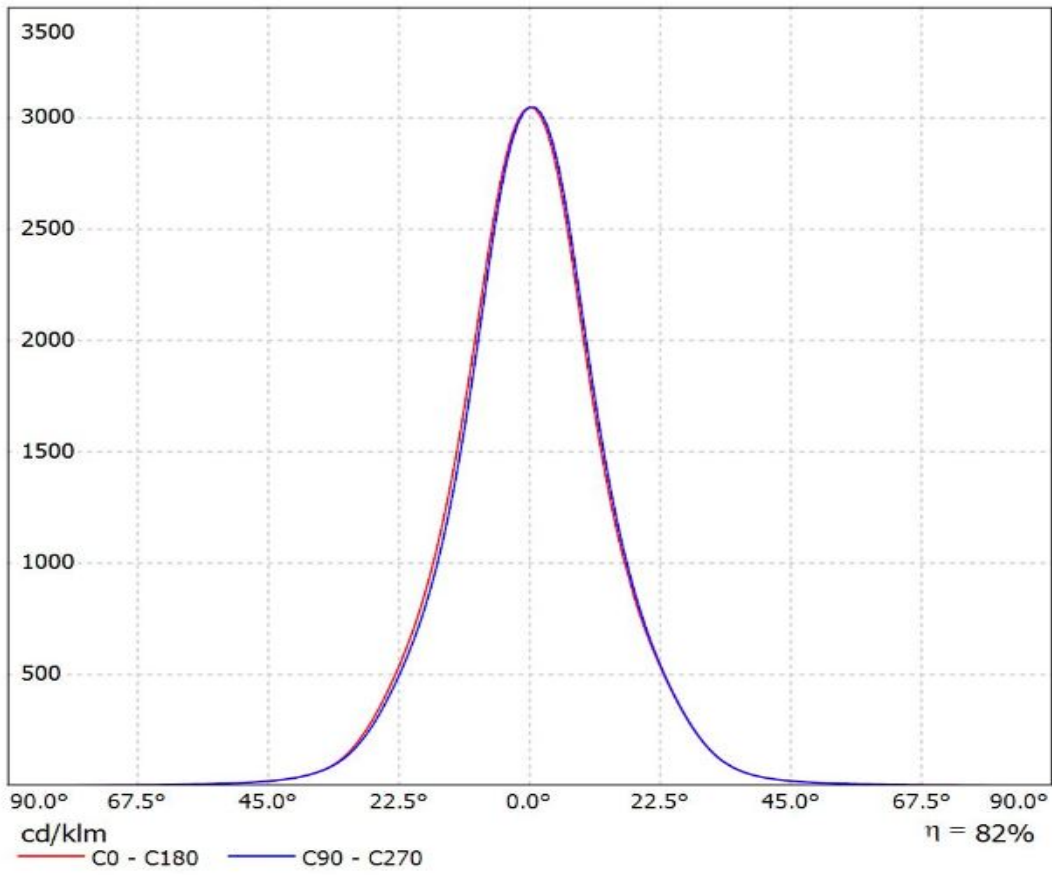
Luminaire: Ledil CN13650\_LENA-SS-DL\_(CoB\_1216)

Lamps: 1 x Luxeon\_CoB\_1216\_(L2C2-40801216E2300)\_1399.08lm@250mA\_P=8.00375W\_I=0.25A

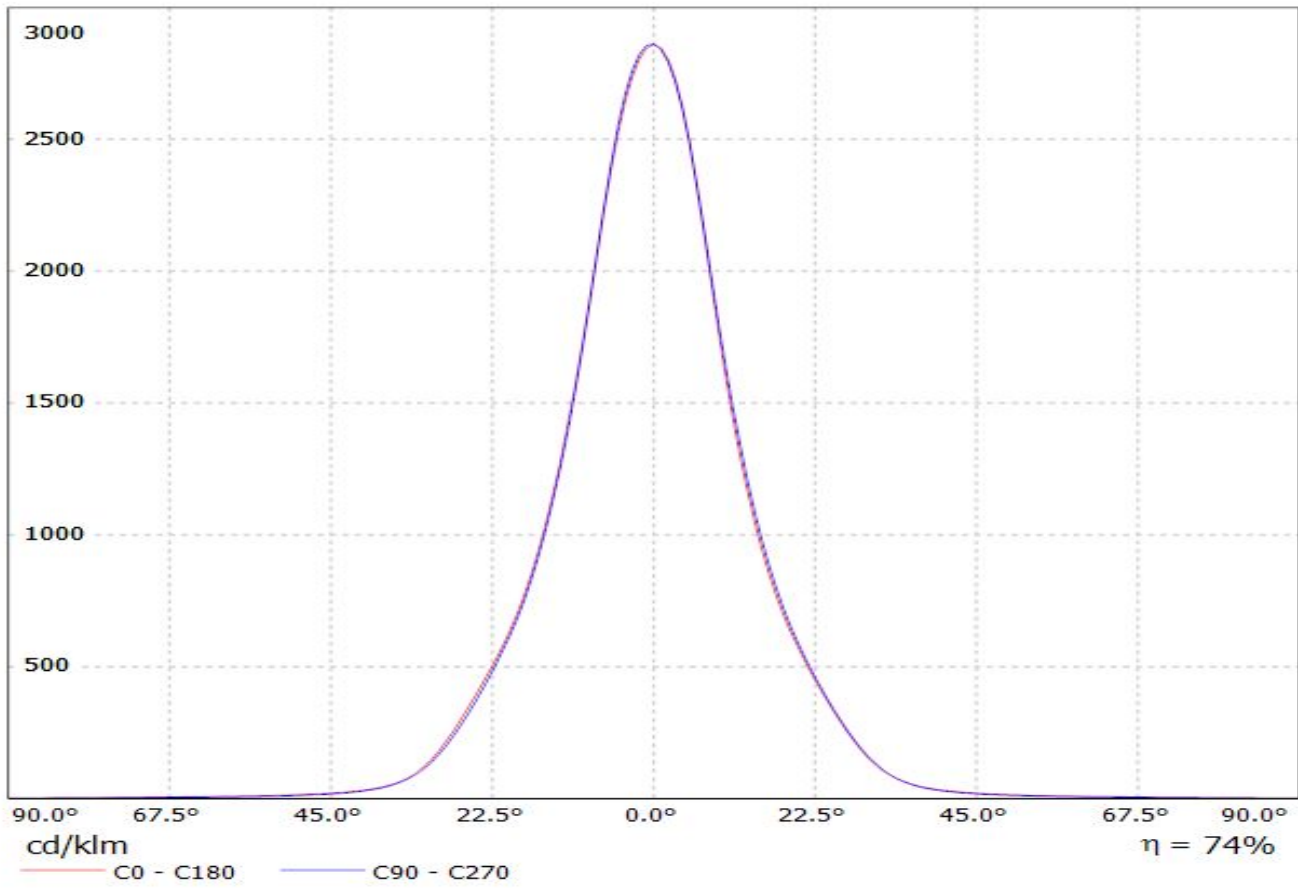


Luminaire: Ledil CN13650\_LENA-SS-DL\_(COB\_D\_LES\_22mm)

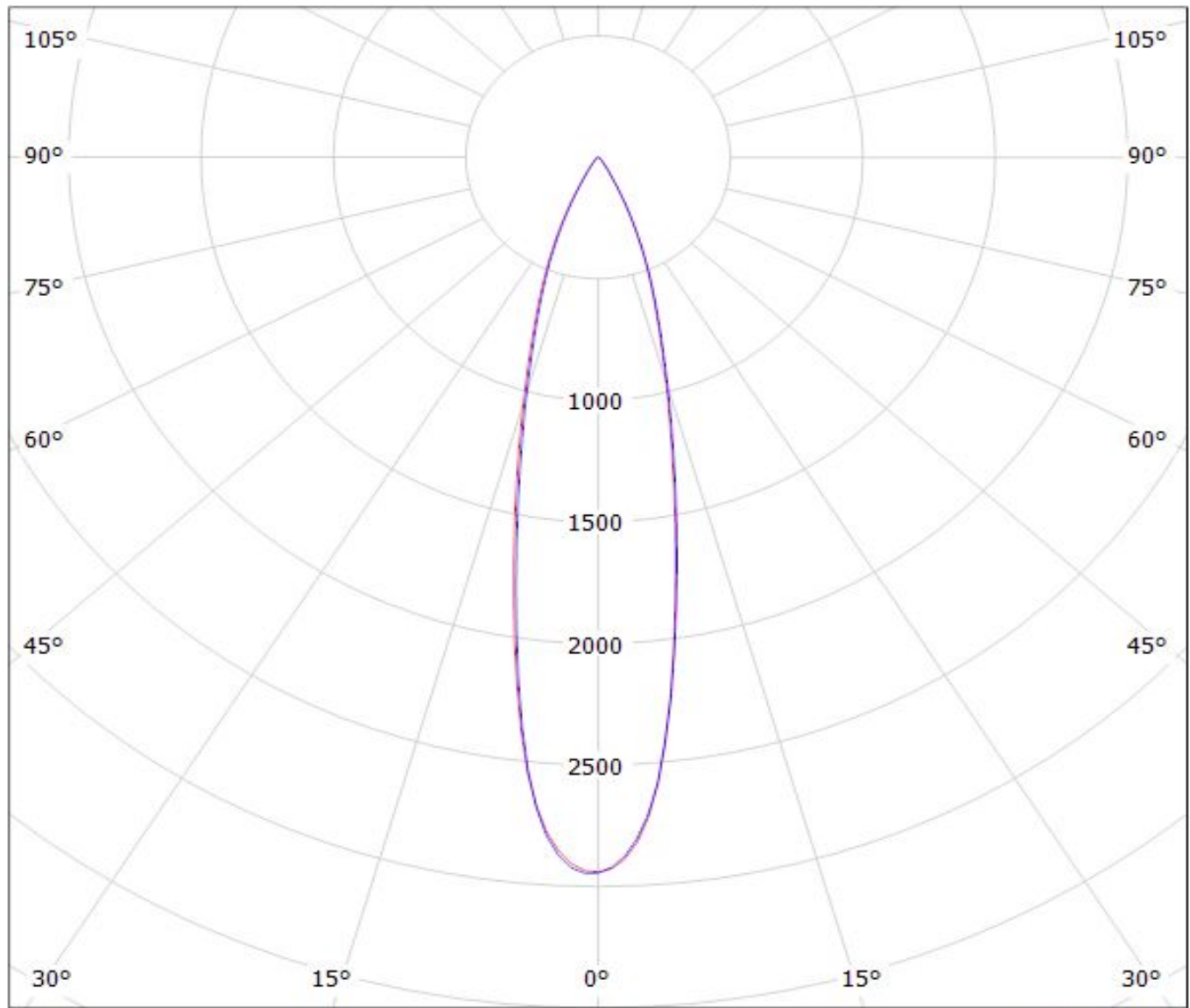
Lamps: 1 x Samsung\_COB\_D\_LES\_22mm\_(SPHWHADNK25YZT3D1)+C12692\_1511.79lm@250mA\_CCT=4000K\_P=8.0675W\_I=0.250A



Luminaire: LEDiL Oy CN13650\_LENA-SS\_DL\_(ZC40) Eff.74%  
Lamps: 1 x SEOUL\_ZC40\_1148.53lm@250mA\_P=8.15172W\_I=249.8mA



Luminaire: LEDiL Oy CN13650\_LENA-SS-DL\_(CLL040) Eff.77%  
Lamps: 1 x CITIZEN\_CLL040\_629.691lm@250mA\_P=7.98885W\_I=249.8mA



cd/klm

— C0 - C180    — C90 - C270

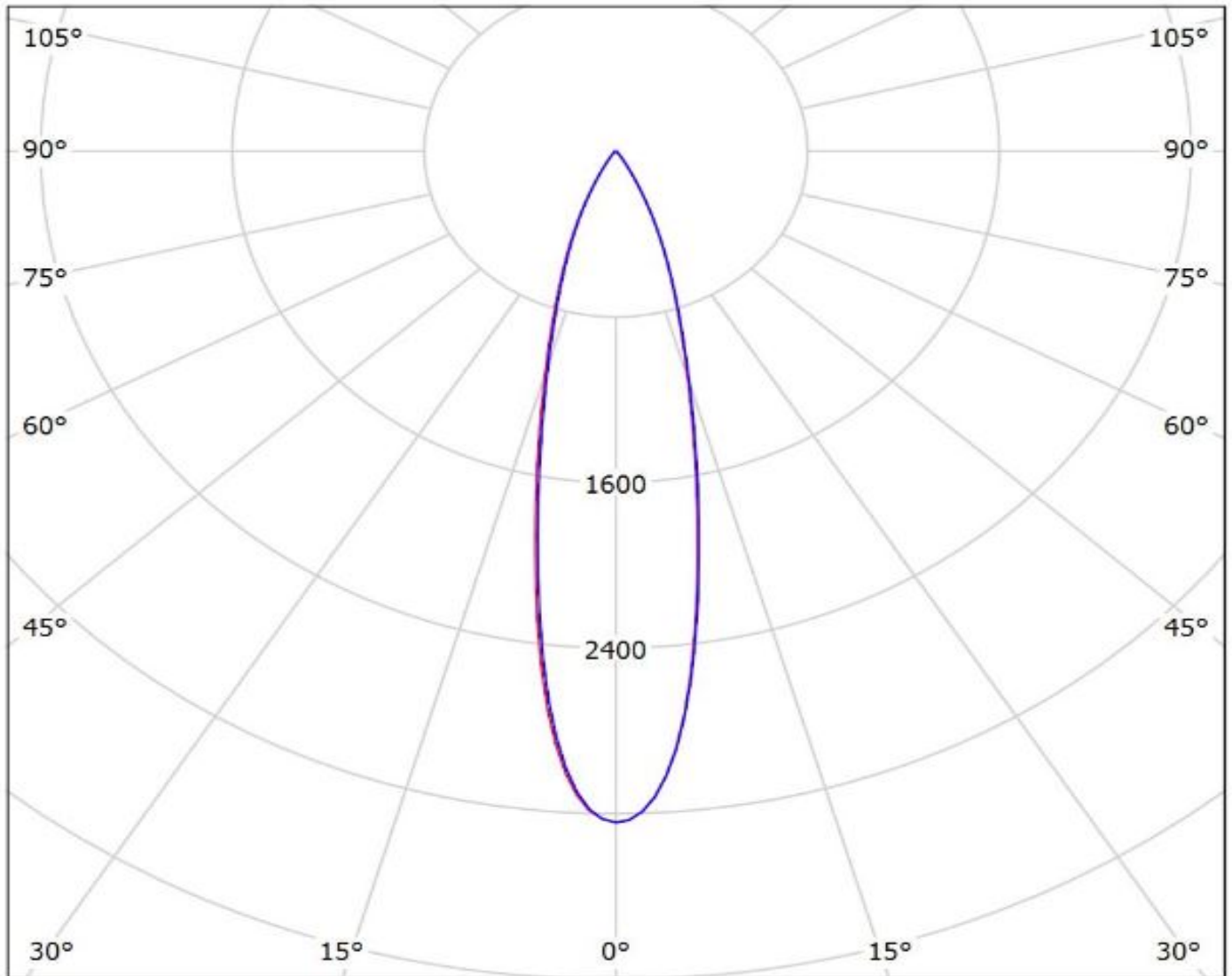
$\eta = 77\%$



# Ledil CN13650\_LENA-SS-DL\_(CoB\_1216) / LDC (Polar)

Luminaire: Ledil CN13650\_LENA-SS-DL\_(CoB\_1216)

Lamps: 1 x Luxeon\_CoB\_1216\_(L2C2-40801216E2300)\_1399.08lm@250mA\_P=8.00375W\_I=0.25A



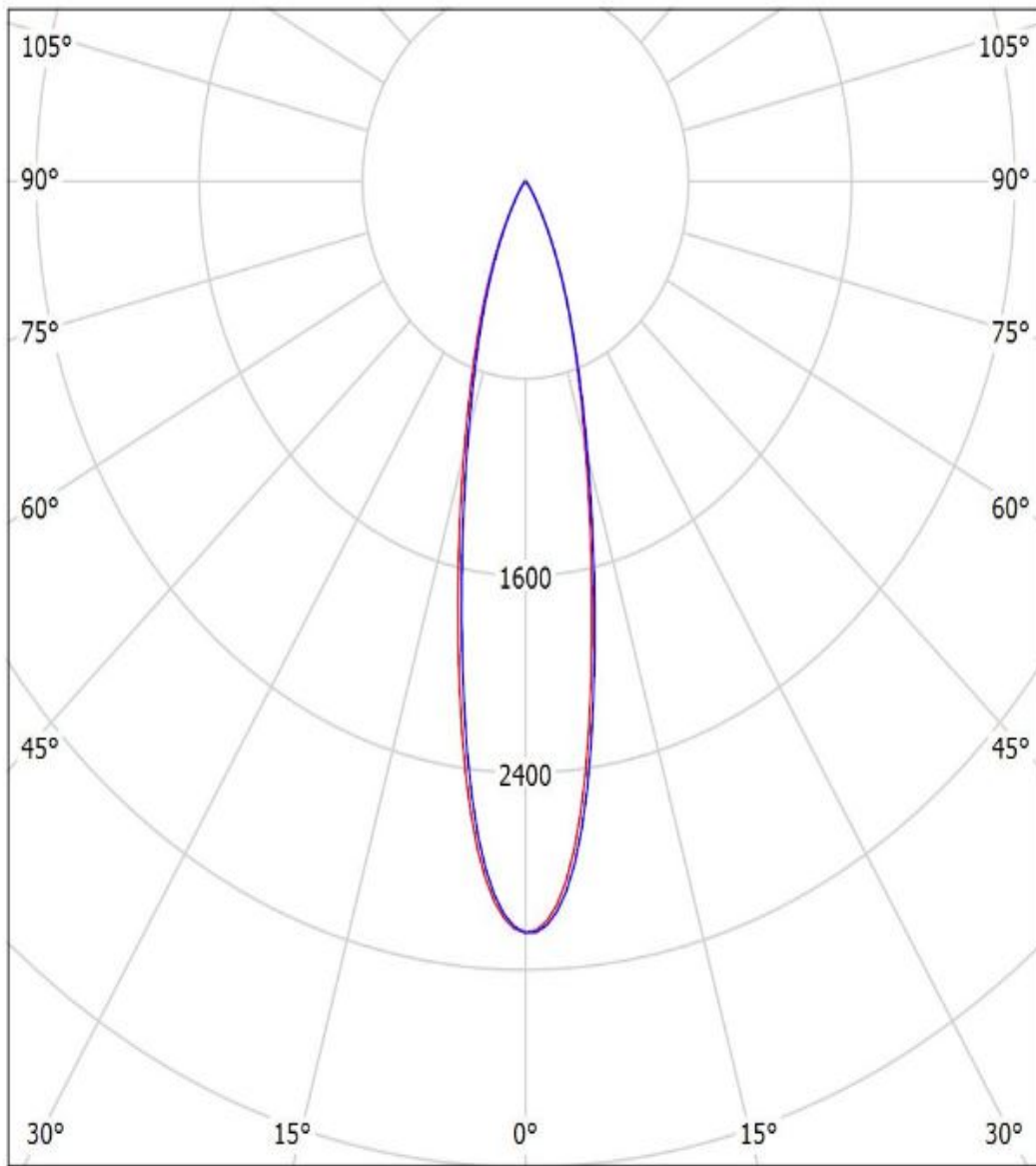
cd/klm

— C0 - C180    — C90 - C270

$\eta = 82\%$

Luminaire: Ledil CN13650\_LENA-SS-DL\_(COB\_D\_LES\_22mm)

Lamps: 1 x Samsung\_COB\_D\_LES\_22mm\_(SPHWHAHDNK25YZT3D1)+C12692\_1511.79lm@250mA\_CCT=4000K\_P=8.0675W\_I=0.250A

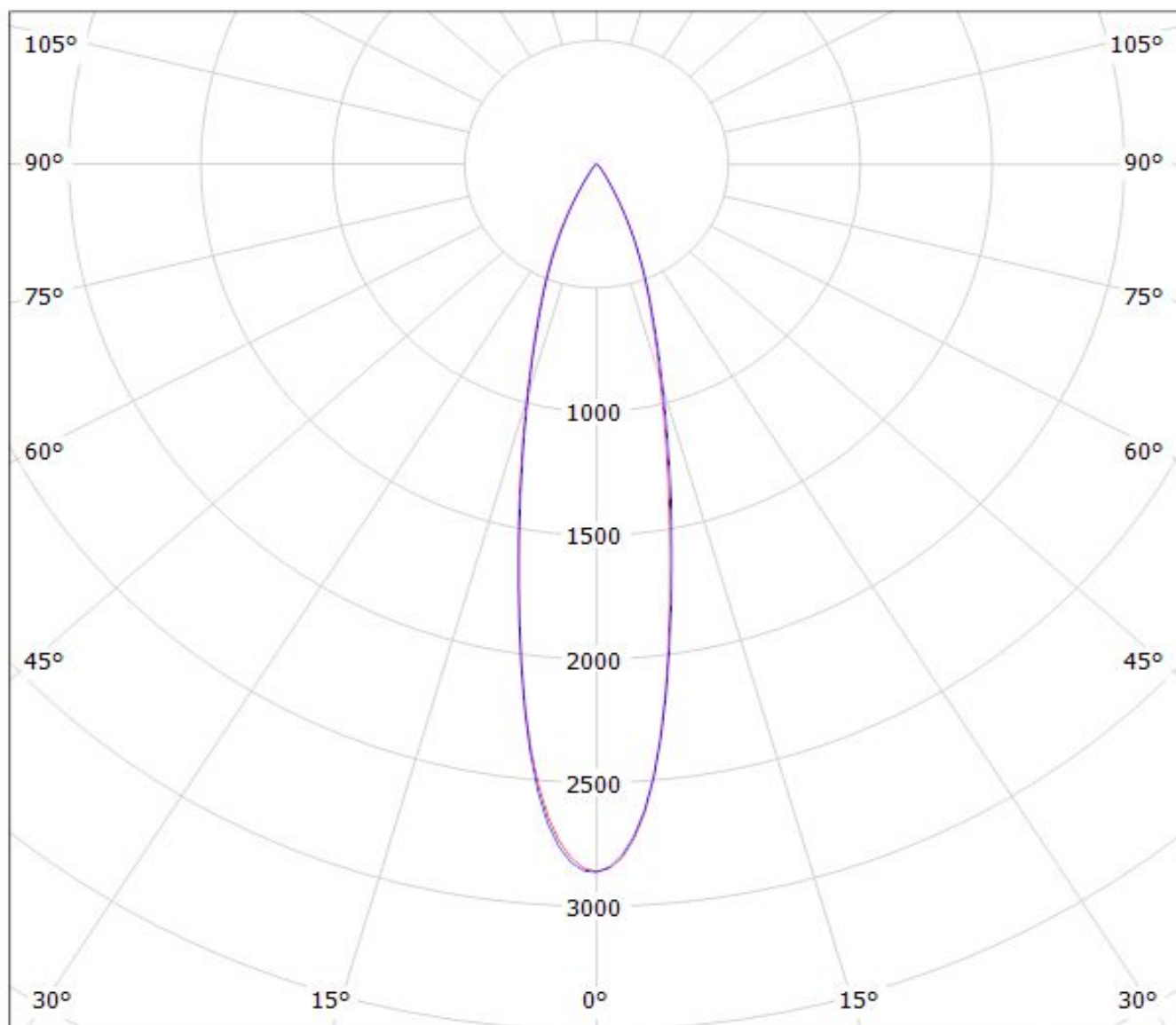


cd/klm

— C0 - C180 — C90 - C270

$\eta = 82\%$

Luminaire: LEDiL Oy CN13650\_LENA-SS\_DL\_(ZC40) Eff.74%  
Lamps: 1 x SEOUL\_ZC40\_1148.53lm@250mA\_P=8.15172W\_I=249.8mA



cd/klm

$\eta = 74\%$

— C0 - C180    — C90 - C270

**NOTE: The typical divergence will be changed by different color, chip size and chip position tolerance. The typical total divergence is the full angle measured where the luminous intensity is half of the peak value.**

### **GENERAL INFORMATION**

- Product series especially designed & optimized for series of LEDs.
- Special care taken to make light distribution as uniform as possible.

Note! Due to use of high power COB's with this product, special attention to proper thermal design is highly recommended. LEDiL has no liability for direct, indirect or consecutive damages arising from the LEDiL products being used outside of the recommended temperature range.