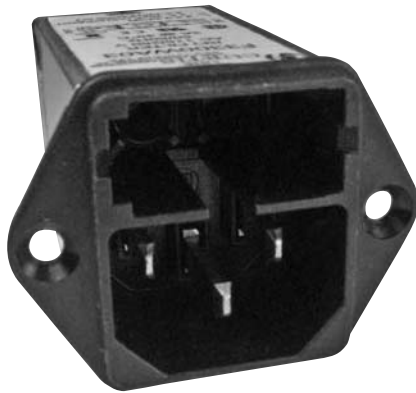


F3300 RFI Filters



Features:

- General Purpose “L-Type” Circuit Effective in Reducing Both Incoming and Outgoing Powerline Noise Levels in FCC “A” Applications
- Integral 5 X 20mm Single or Dual Fused IEC Connector
- Optional SST Switched IEC Connector
- Low-Leakage
- Available to UL/IEC 60601 Standard and Meets UL 544 Specification for Medical and Dental Applications
- Available in Labor-Saving PC Mounted Case Style

Specifications:

Rated Voltage: 250VAC Maximum - 50/60 Hz

Rated Current: 115VAC 250VAC
 3A 3A
 6A 6A

Current Overload: 6X for 8 seconds

Hi-Pot Test (1 min):

Line to Ground 1500VAC
Line to Line 1768VDC

Insulation Resistance: $9 \times 10^9 \Omega$ at 100VDC

Ambient Temperature: 40°C Max. at Rated Current

Humidity Range: 0% to 95% R.H.

Termination:

- A: QC – Quick Connect
- F: Fused IEC
- J: Switched IEC
- P: PC – P.C. Board
- W: Dual Fused IEC

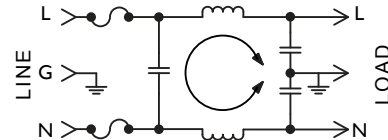
Maximum Leakage Current:

Each Line to Ground **F3300**
115VAC, 60Hz: .015mA
250VAC, 50Hz: .025mA

Agency Approvals:



F3300F Simplified Schematic



Nominal Current Rating	Part Number	Termination Line/Load	MINIMUM INSERTION LOSS - dB (50 ohm Circuit)						
			MODE	Frequency - MHz					
				.15	.50	1.0	5.0	10	30
3A	F3300FA03 F3300FP03	Fused IEC/QC Fused IEC/PC	Common	21	32	36	30	28	28
			Differential	8	18	24	35	35	35
6A	F3300FA06 F3300FP06	Fused IEC/QC Fused IEC/PC	Common	18	30	34	26	25	25
			Differential	8	18	24	35	35	35
3A	F3300WA03 F3300WP03	Dual Fused IEC/QC Dual Fused IEC/PC	Common	21	32	36	30	28	28
			Differential	8	18	24	35	35	35
6A	F3300WA06 F3300WP06	Dual Fused IEC/QC Dual Fused IEC/PC	Common	18	30	34	26	25	25
			Differential	8	18	24	35	35	35
3A	F3300JA03 F3300JP03	Switched IEC/QC Switched IEC/PC	Common	21	32	36	30	28	28
			Differential	8	18	24	35	35	35
6A	F3300JA06 F3300JP06	Switched IEC/QC Switched IEC/PC	Common	18	30	34	26	25	25
			Differential	8	18	24	35	35	35

NOTE: Other combinations of terminals may be specified on special order.

Dimensions are in inches and millimeters unless otherwise specified. Values in parentheses are metric equivalents.



Curtis Industries
A Division of Powers Holdings, Inc.

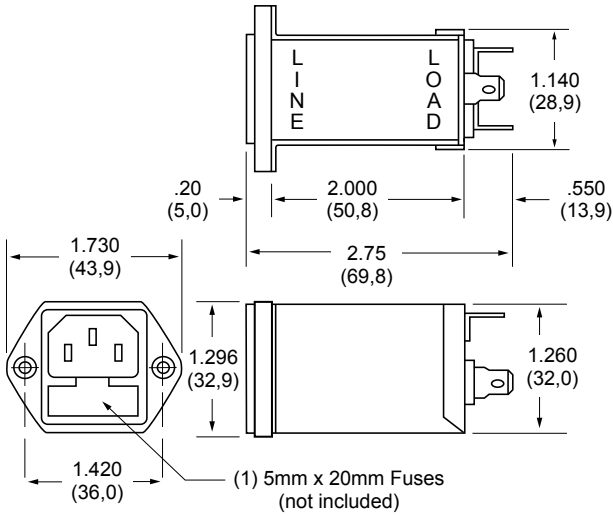
1-800-657-0853

General Purpose Filtered Modules

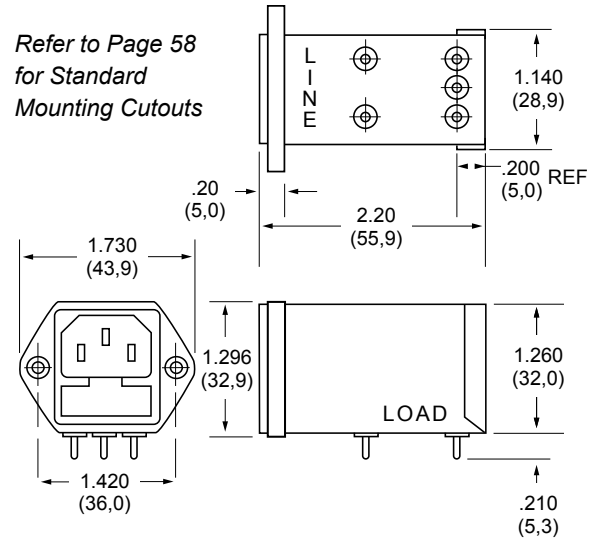
MEDICAL FILTERS

F3300 Series (continued)

F3300FA (3 and 6Amp) Dimensions

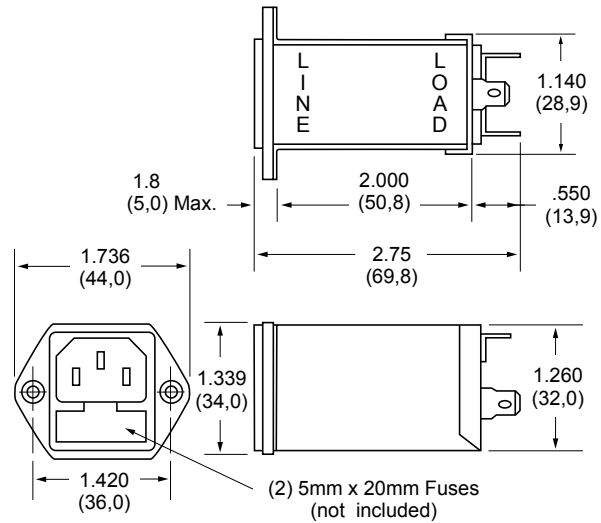
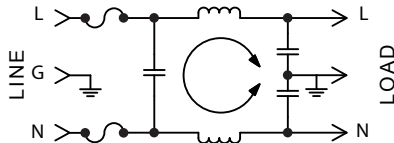


F3300FP (3 and 6Amp) Dimensions



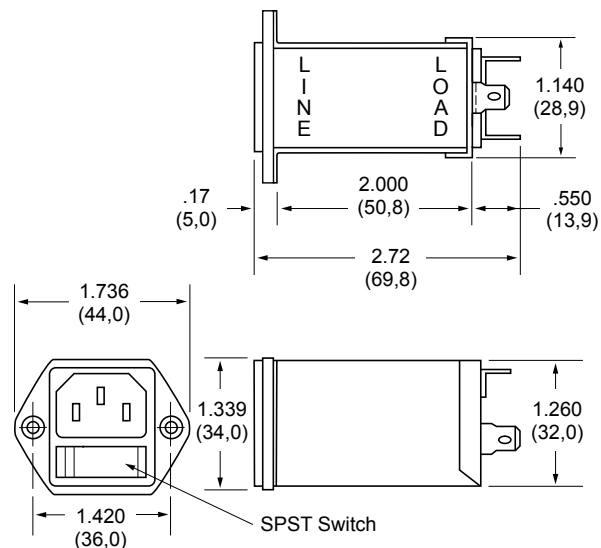
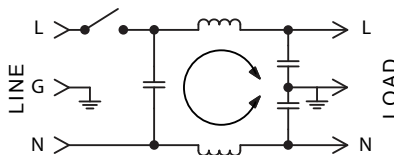
F3300WA (3 and 6Amp) Dimensions

F3300W Simplified Schematic



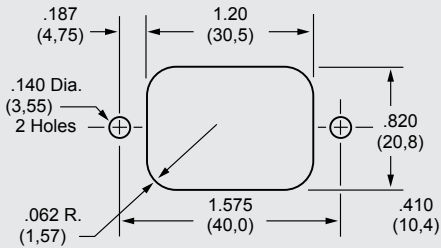
F3300JA (3 and 6Amp) Dimensions

F3300J Simplified Schematic

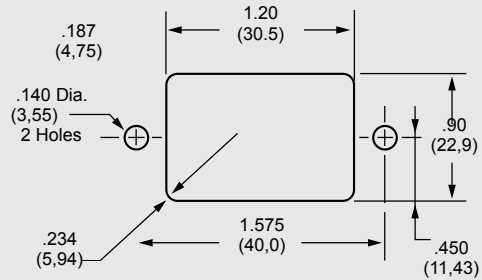


Standard Mounting Cutouts

F2199CA, F2200CA, F2300CA, F2400CA, F2500CA, F2700CA, F3100CA, F3200CA, F3400CA, F3500CA

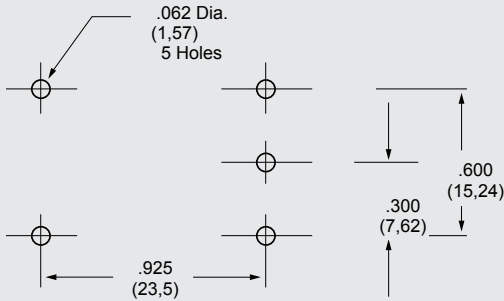


Back Mounting

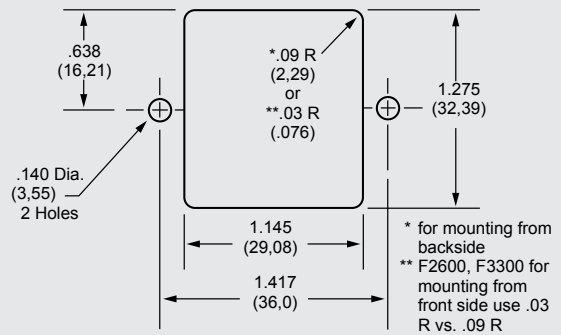


Front Mounting

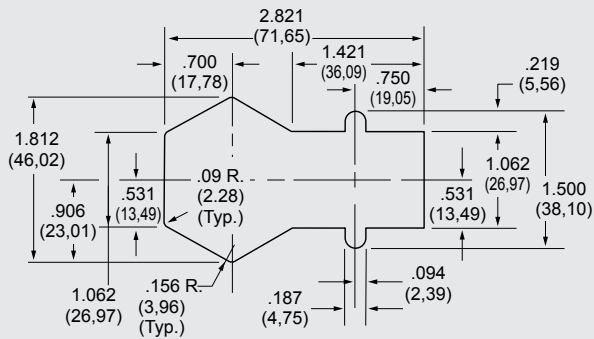
F2600FP, F3300FP



F2600, F3300



F2700FB



PE1 Screw Mount Series

