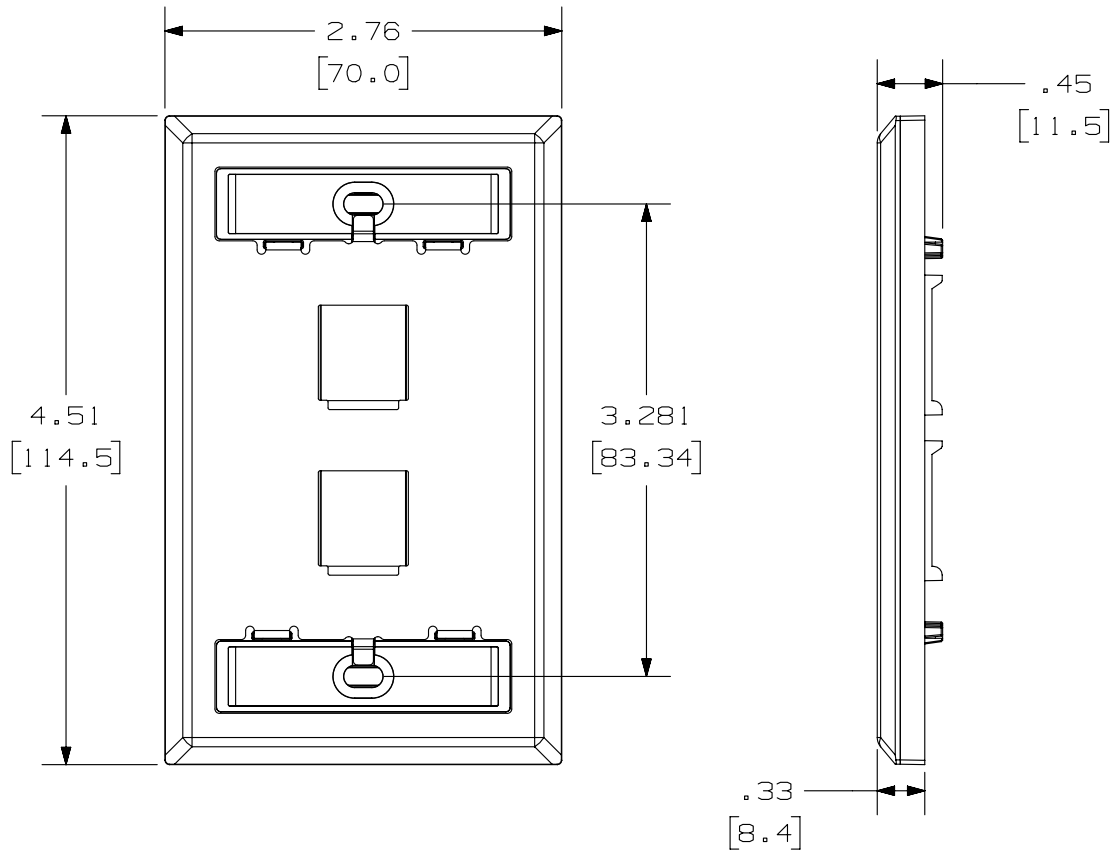


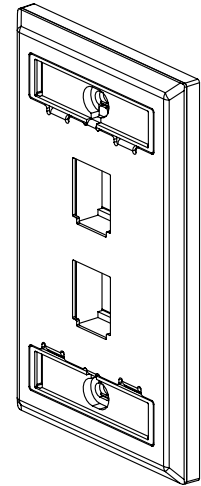
THIS COPY IS PROVIDED ON A RESTRICTED BASIS AND IS NOT TO BE USED IN ANY WAY DETRIMENTAL TO THE INTERESTS OF PANDUIT CORP.



PANDUIT P/N	WEIGHT
NKF2S	1.0 LB/10 PCS (458.1g/10 PCS)

NOTES:

- SEE CURRENT CATALOG FOR ADDITIONAL PART NUMBER SUFFIXES TO INDICATE COLOR AND OR PACKAGE QUANTITY.
- SEE CATALOG FOR COMPLETE LIST OF PARTS APPLICABLE FOR USE WITH THIS PART.
- DIMENSIONS IN [ ] ARE IN METRIC.
- PART INCLUDES:
  - 1- FACEPLATE
  - 2- #6-32 X 1" MOUNTING SCREWS
  - 2- LABEL
  - 2- LABEL COVER



PART NUMBER		NKF2S	
TITLE			
NETKEY 2 POSITION STAINLESS STEEL FACEPLATE WITH LABEL/COVER			
CUSTOMER DRAWING			
ITEM REVISION NAME		M02423AA/00	
DATASET FILE NAME		M02423AA_DC/00C	
UNLESS OTHERWISE SPECIFIED, DIMENSIONAL TOLERANCES ARE: IN [ mm ]		MATERIAL:	
.x ± .xxx ± .010 [ .3 ]		FACEPLATE: S.S.	
.xx ± .03 [ .8 ]		BACKING: ABS	
ANGLES ±		DRAWING NUMBER:	
		02423-01	
DRAWN BY	DATE	CHK	SCALE
JSP	3-16-06	MJD	NONE
REV	DATE	BY	DESCRIPTION
3	5/19/14	JSP	REFR
		JCK	REVISED AND REDRAWN, PREVIOUS REVISIONS HAVE BEEN OMITTED.
			02423-01
			DESCRIPTION
			ECN

D10100DA/14