

# PRODUCT DATASHEET

## Lena series

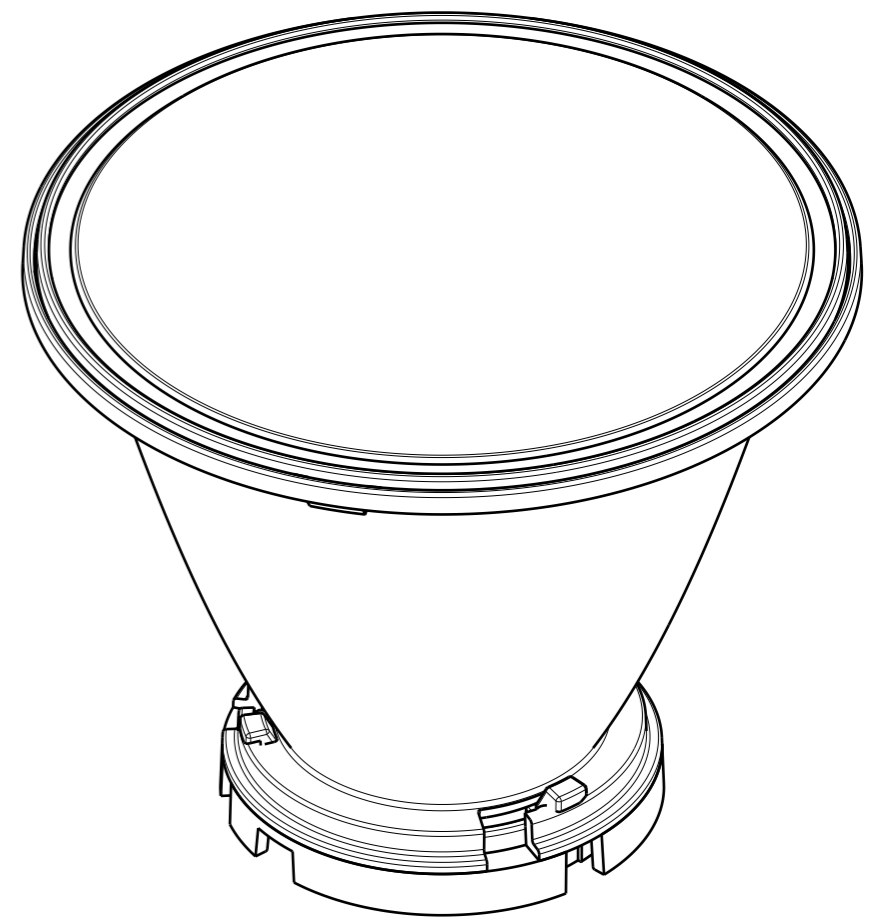
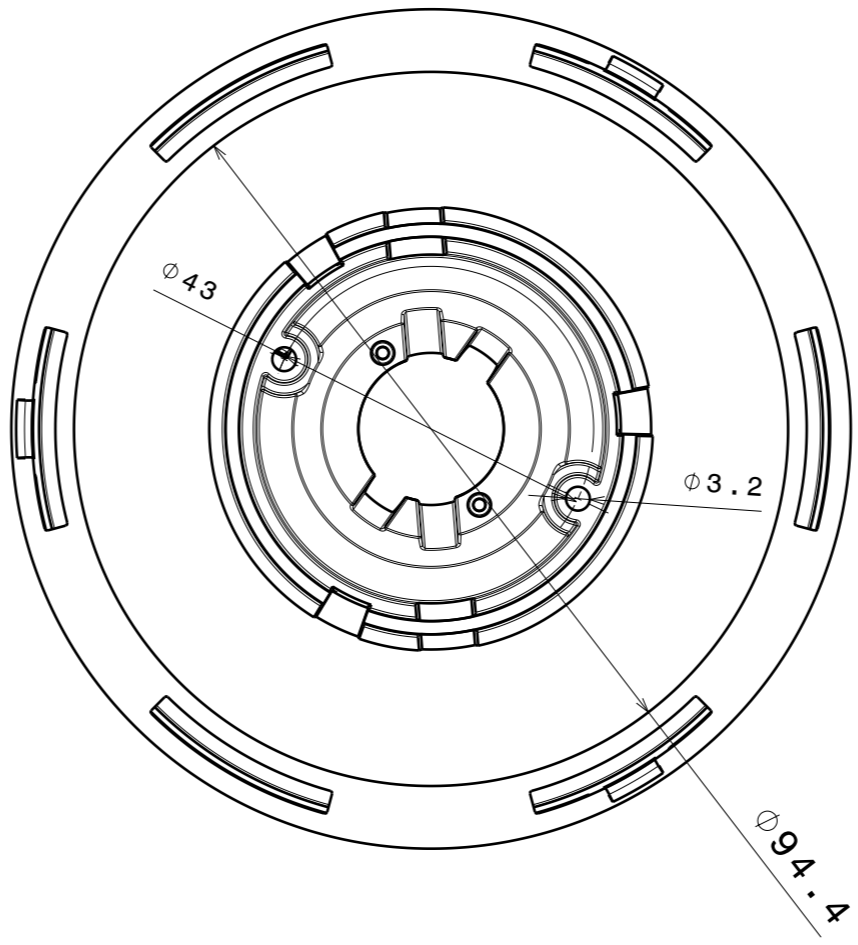
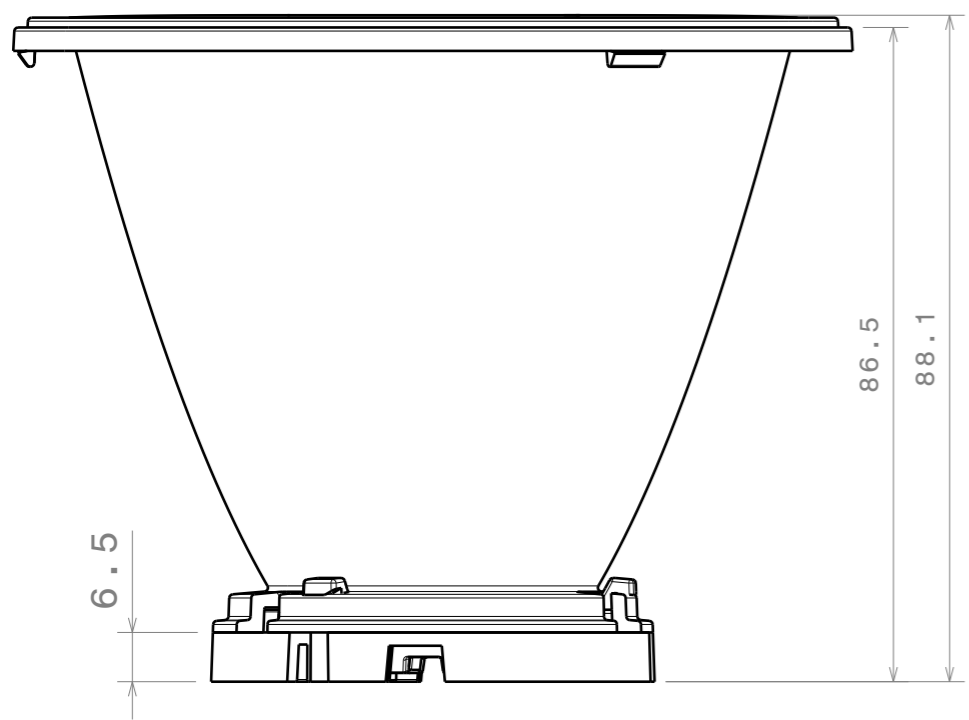
last update 23/2/2014

## DETAILS

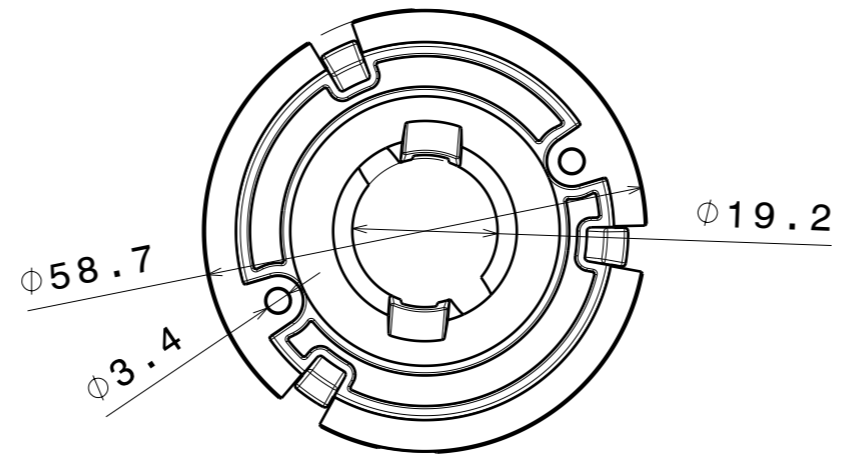
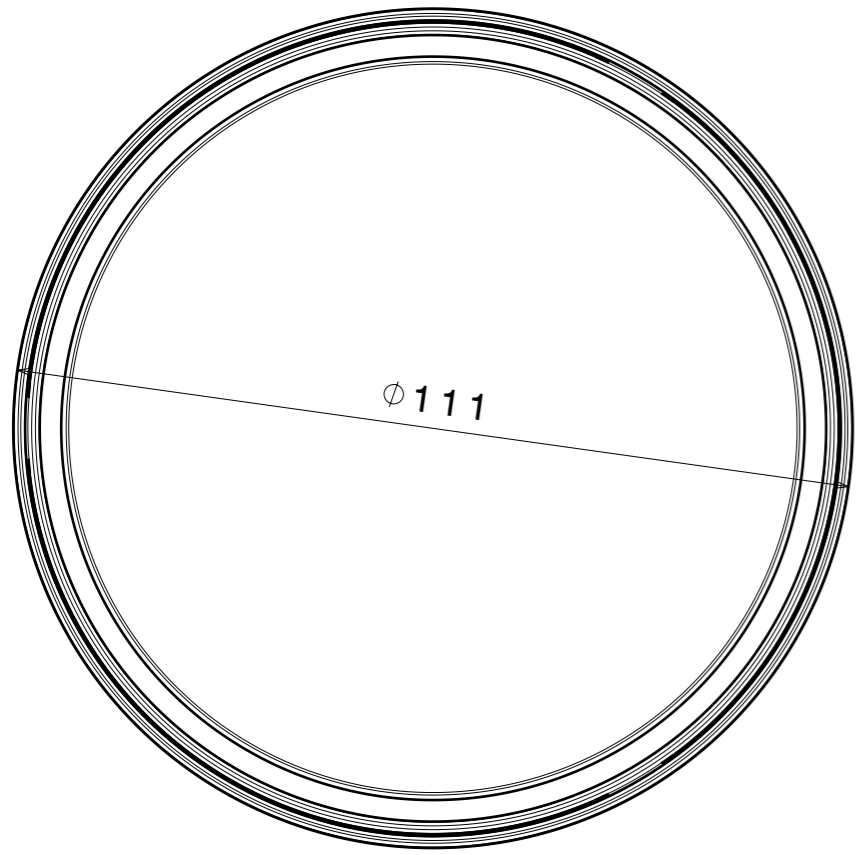
Product Number	CN12931_LENA-W-DL
Family	Lena
Type	RefPack
Color	metal
Diameter	111 mm
Height	88,1 mm
Style	round
Optic Material	PC
Holder Material	
Fastening	screw, socket
Status	production ready
ROHS Comliant	Yes
Date Updated	23/02/2014

## OPTICAL PROPERTIES

LED	Viewing Angle	Light Beam	Effi- ciency	cd/lm	Connector
LUXEON K12	45 deg	Wide	74 %	1.400	-
LUXEON K16	46 deg	Wide	72 %	1.300	-



Isometric view

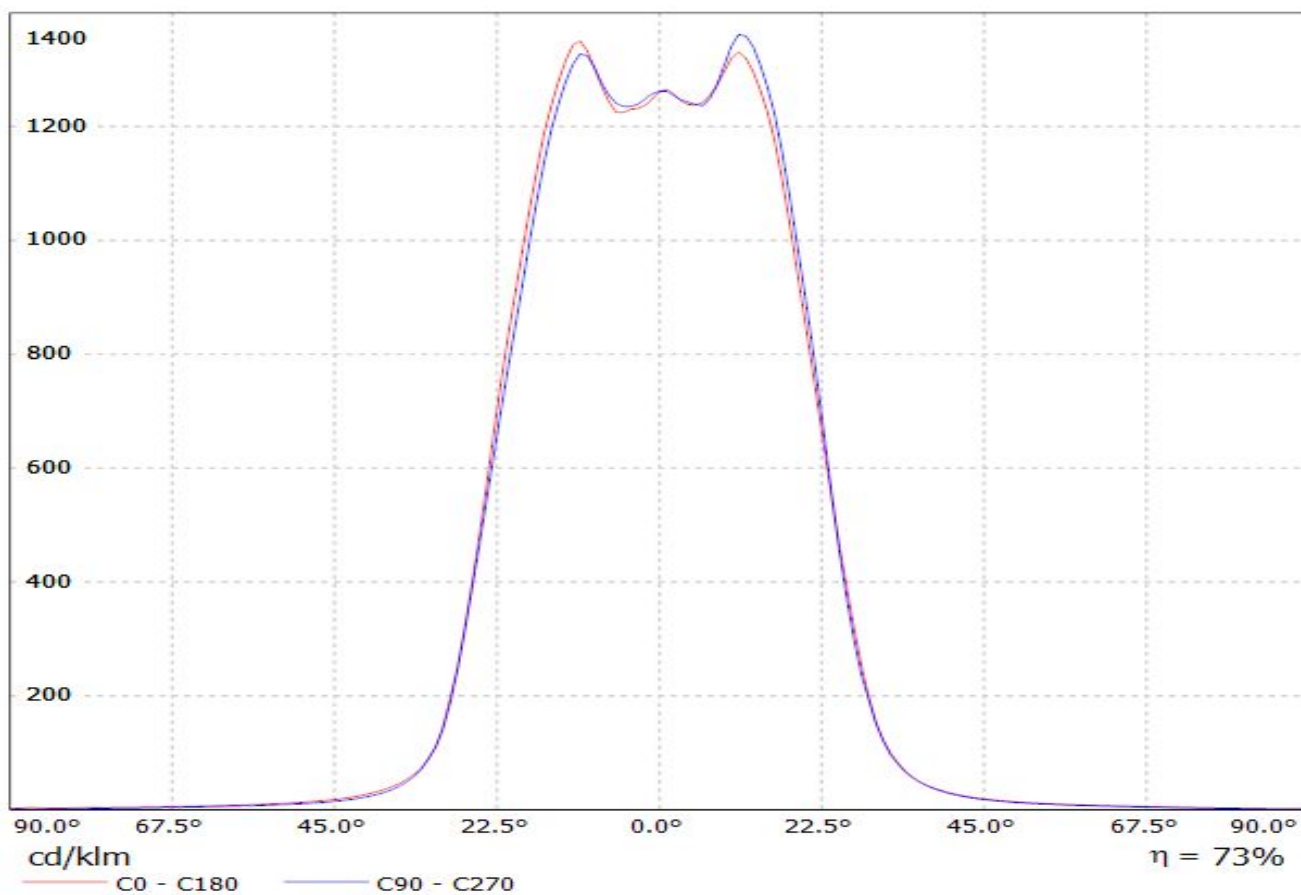


- Material:
- subLens
    - PC
  - Reflector
    - PC
    - Metal coating and clear lacquer
  - Holder base
    - PC
    - Color white

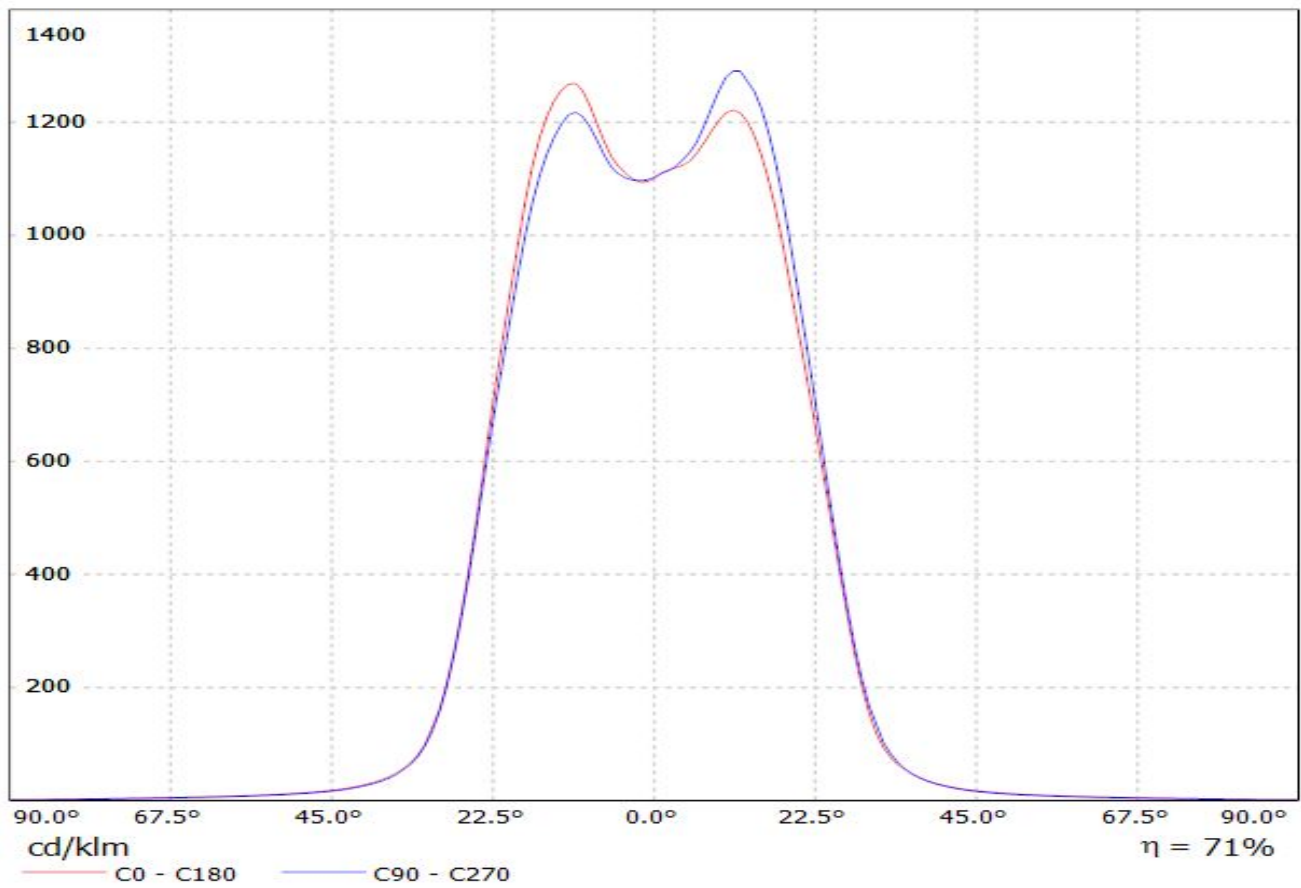
Base part designed for Philips Lumileds LUXEON K, 12up and 16up versions

This drawing is our property. It can't be reproduced or communicated without our written agreement.		 Ledil Oy Salorankatu 10 FIN 24240 SALO Finland	
DRAWN BY <b>as</b>		DATE 3.8.2012	
CHECKED BY <b>vs</b>		DATE 3.8.2012	
DESIGNED BY <b>p1</b>		DATE -	
DRAWING TITLE <b>LENA-LUXEON-K Mechanical drawing</b>		Part Drawing	
SIZE <b>A3</b>	PART NUMBER	REV <b>001</b>	
SCALE 1:1	WEIGHT	SHEET 1/1	

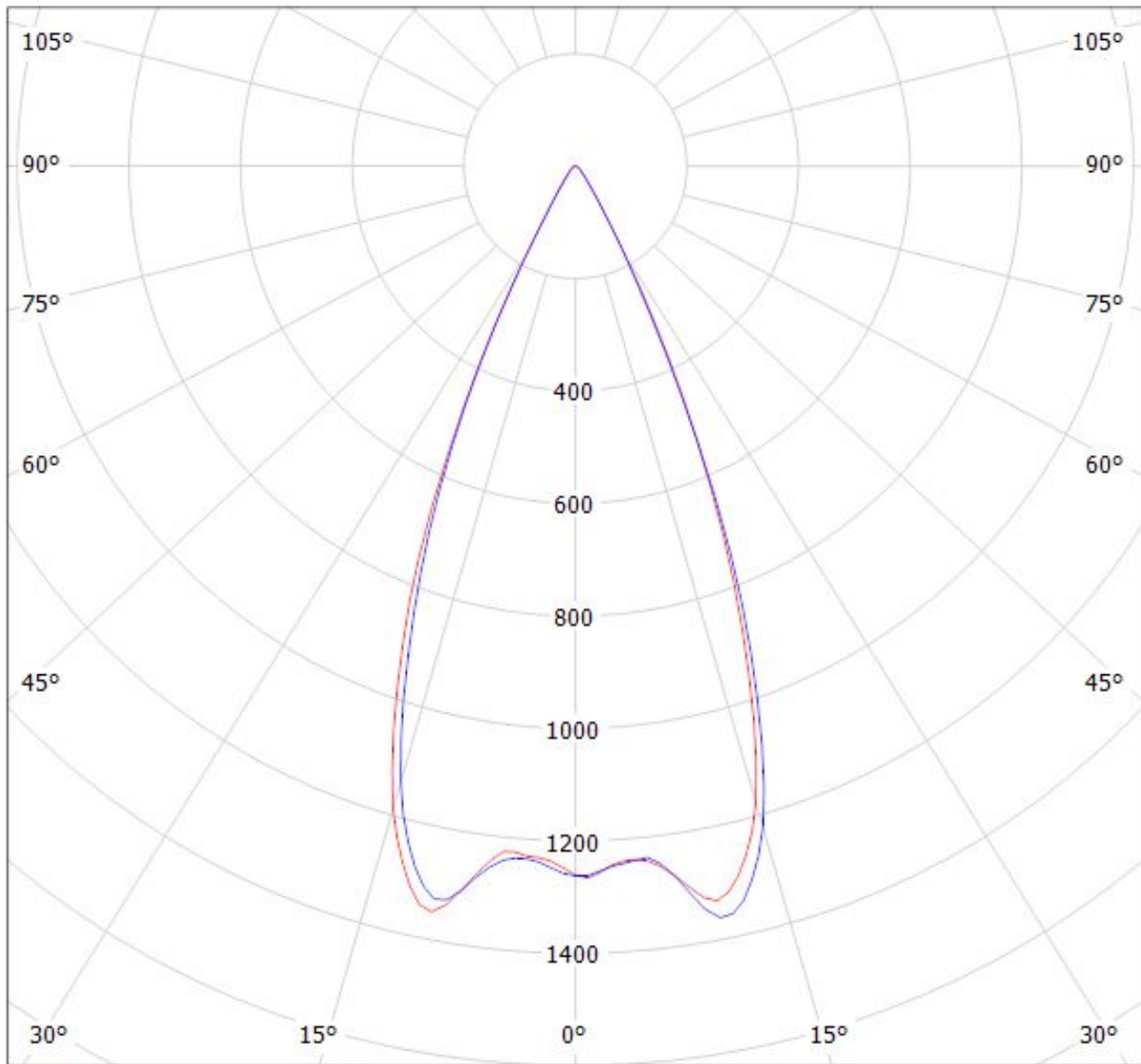
Luminaire: LEDiL Oy CN12931\_LENA-W-DL\_(Luxeon\_K12) Eff.73.4%  
Lamps: 1 x Luxeon K12 (808.51lm@250mA)



Luminaire: LEDiL Oy CN12931\_LENA-W-DL\_(Luxeon\_K16) Eff.71.4%  
Lamps: 1 x Luxeon\_K16 (1208.05lm@250mA)



Luminaire: LEDiL Oy CN12931\_LENA-W-DL\_(Luxeon\_K12) Eff.73.4%  
Lamps: 1 x Luxeon K12 (808.51lm@250mA)



cd/klm

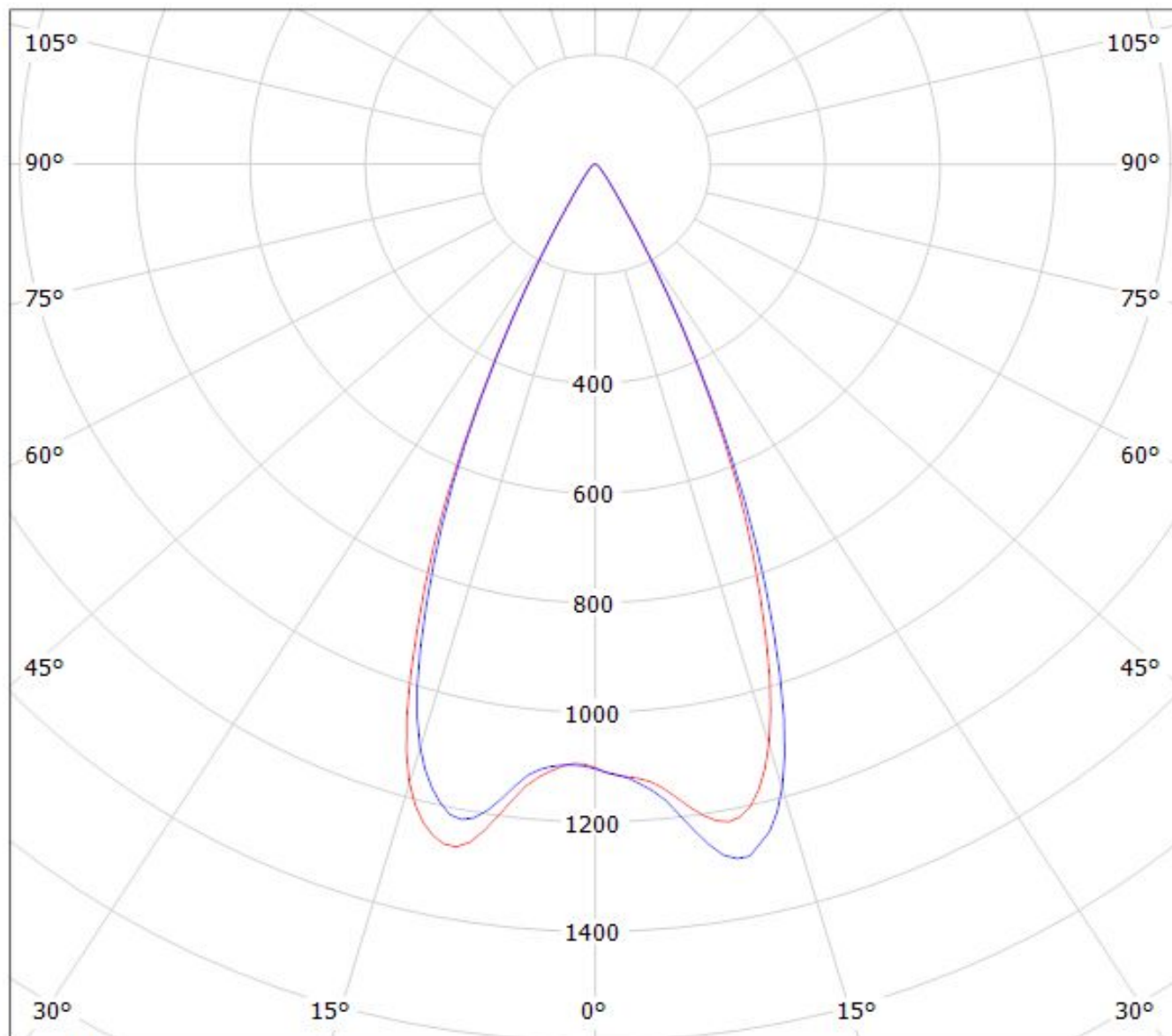
— C0 - C180

— C90 - C270

$\eta = 73\%$

Luminaire: LEDiL Oy CN12931\_LENA-W-DL\_(Luxeon\_K16) Eff.71.4%

Lamps: 1 x Luxeon\_K16 (1208.05lm@250mA)



cd/klm

— C0 - C180

— C90 - C270

$\eta = 71\%$

**NOTE: The typical divergence will be changed by different color, chip size and chip position tolerance. The typical total divergence is the full angle measured where the luminous intensity is half of the peak value.**