

4

3

2

1

THIS DRAWING IS UNPUBLISHED.

RELEASED FOR PUBLICATION

20

© COPYRIGHT 20 BY -

ALL RIGHTS RESERVED.

REVISIONS

P	LTR	DESCRIPTION	DATE	DWN	APVD
A		INITIAL RELEASE	15APR2015	GY	CW
B		ECR-15-013759	28SEP2015	DW	CW
B1		ECR-16-011988	27AUG2016	YC	CW
B2		ECR-16-017834	21DEC2016	YC	CW

TYPE 1, T2040162201-000, TE LOGO
类型 1, T2040162201-000, TE LOGO

16X M3 SCREW, RECOMMENDED
TIGHTENING TORQUE 0.5Nm
16X M3螺丝, 推荐锁紧力矩0.5Nm

4X M3 SCREW, RECOMMENDED TIGHTENING TORQUE 0.5Nm
4X M3螺丝, 推荐锁紧力矩0.5Nm

M4 SCREW, RECOMMENDED TIGHTENING TORQUE 1.2Nm
M4螺丝, 推荐锁紧力矩1.2Nm

NOTES:

1. TECHNICAL CHARACTERISTICS:
INSULATION MATERIAL: PC
RATED VOLTAGE: 500V
RATED CURRENT: 16A
INSULATION RESISTANCE: $\geq 400M\Omega$
RATED IMPULSE VOLTAGE: 6KV
POLLUTION DEGREE: 3
FLAMMABILITY: UL94V-0
MATING CYCLES: 500 CYCLES
WIRE RANGE: $0.5mm^2 \sim 2.5mm^2$ (AWG20-AWG14)
CONTACT TYPE: SCREW CLAMP (M3)

注释:

1. 技术参数:
绝缘材料: PC
额定电压: 500V
额定电流: 16A
绝缘电阻: $\geq 400M\Omega$
脉冲电压: 6KV
污染等级: 3
阻燃等级: UL94V-0
插拔次数: 500 次
接线范围: $0.5mm^2 \sim 2.5mm^2$ (AWG20-AWG14)
接线类型: 螺丝压接 (M3)

PANEL CUT FOR INSERTS FOR USE
WITHOUT HOODS/ HOUSINGS
不使用防护外壳时芯件的安装开孔图

THIS DRAWING IS A CONTROLLED DOCUMENT.

DIMENSIONS:

mm

TOLERANCES UNLESS
OTHERWISE SPECIFIED:

0 PLC	±0.1
1 PLC	±0.15
2 PLC	±0.2
3 PLC	±0.25
4 PLC	±0.3
ANGLES	±0.5

MATERIAL

FINISH

DWN 15APR2015

GINO YAO

CHK 15APR2015

CHRIS WANG

APVD 15APR2015

XIANG XU

PRODUCT SPEC

108-137044

APPLICATION SPEC

114-137044

WEIGHT

-

CUSTOMER DRAWING

TE Connectivity

NAME

HE-016-F

SIZE

A3

CAGE CODE

00779

DRAWING NO

C-T2040162201000

RESTRICTED TO

-

SCALE

1:1

SHEET

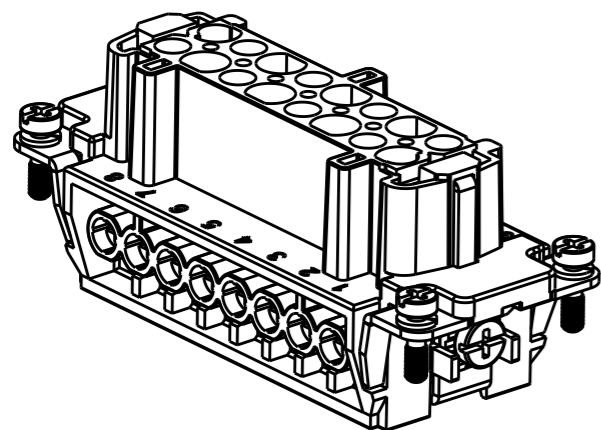
1 OF 2

REV B2

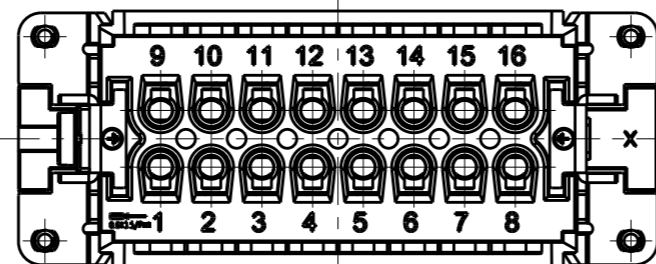
1470-19 (3/13)

REVISIONS

P	LTR	DESCRIPTION	DATE	DWN	APVD
-	-	SEE SHEET 1	-	-	-

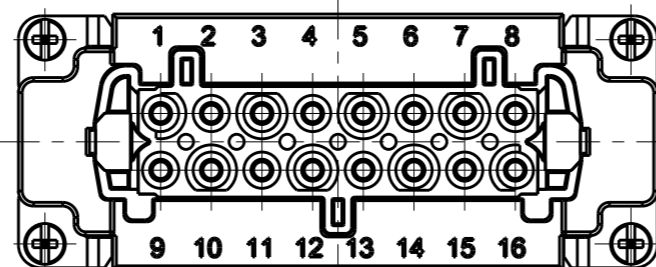
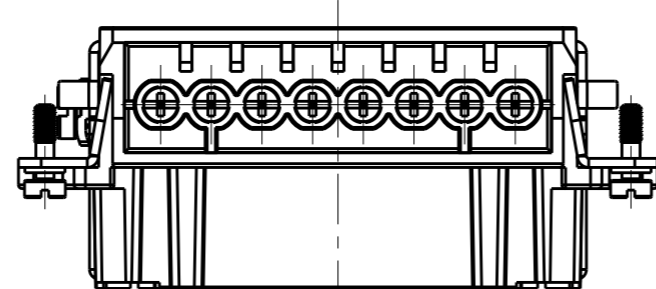
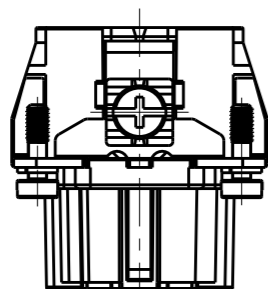


TYPE 2, T2040162201-001, NO LOGO
 类型 2, T2040162201-001, 无LOGO



NOTE:
 ALL SPEC REFER TO TYPE 1

注释:
 所有产品规范参照 TYPE 1



T2040162201-000	HE-016-F	HE-016 FEMALE INSERT HE-016 母插	TYPE 1
T2040162201-001	HE-016-F	HE-016 FEMALE INSERT, NO LOGO HE-016 母插, 无LOGO	TYPE 2
PART NUMBER 料号	PART DESCRIPTION 描述		TYPE 类型

THIS DRAWING IS A CONTROLLED DOCUMENT.		DWN GINO YAO 15APR2015		
DIMENSIONS: mm		CHK CHRIS WANG 15APR2015		
TOLERANCES UNLESS OTHERWISE SPECIFIED:		APVD XIANG XU 15APR2015	NAME HE-016-F	
0 PLC ±-	1 PLC ±-	PRODUCT SPEC 108-137044	SIZE A3	
2 PLC ±-	3 PLC ±-	APPLICATION SPEC 114-137044	CAGE CODE 00779	DRAWING NO T2040162201000
4 PLC ±-	ANGLES ±-	WEIGHT -	RESTRICTED TO -	
MATERIAL -	FINISH -	CUSTOMER DRAWING	SCALE 1:1	SHEET 2 OF 2
			REV B2	