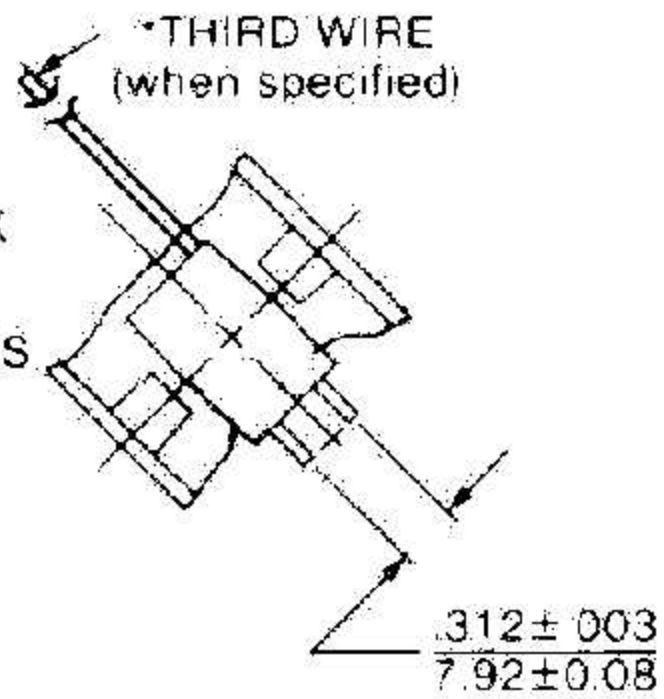


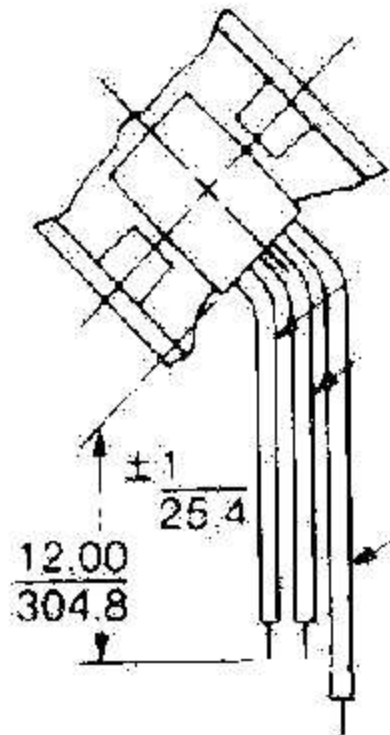
TERMINAL VERSION
TERMINALS:
 120±.002/3.05±0.05 WIDE
 .020±.001/0.51±0.03 THICK
 300±.020/7.62±0.51 LONG
 (WILL FIT AMP SERIES 110 TERMINALS OR EQUIVALENT)



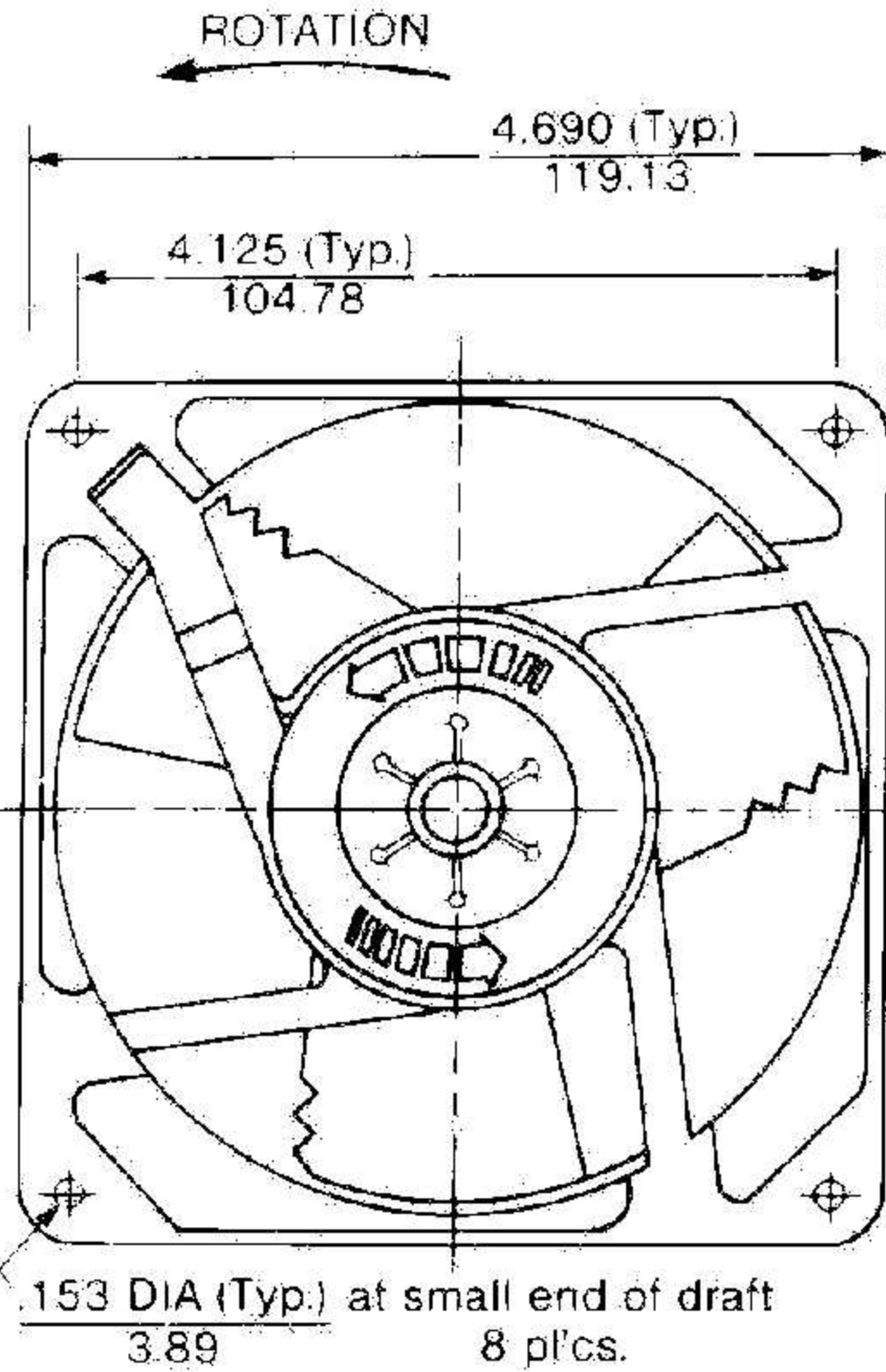
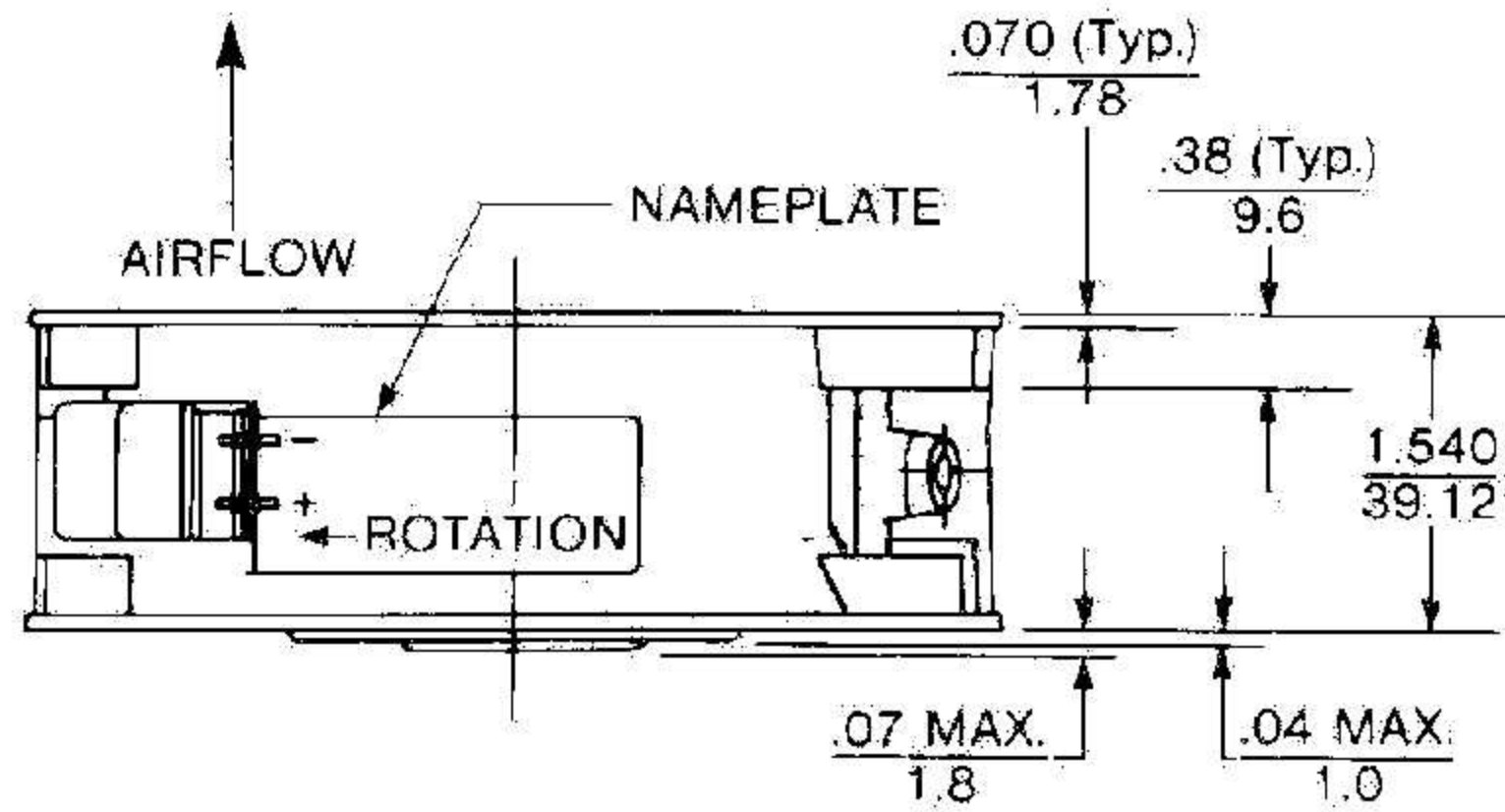
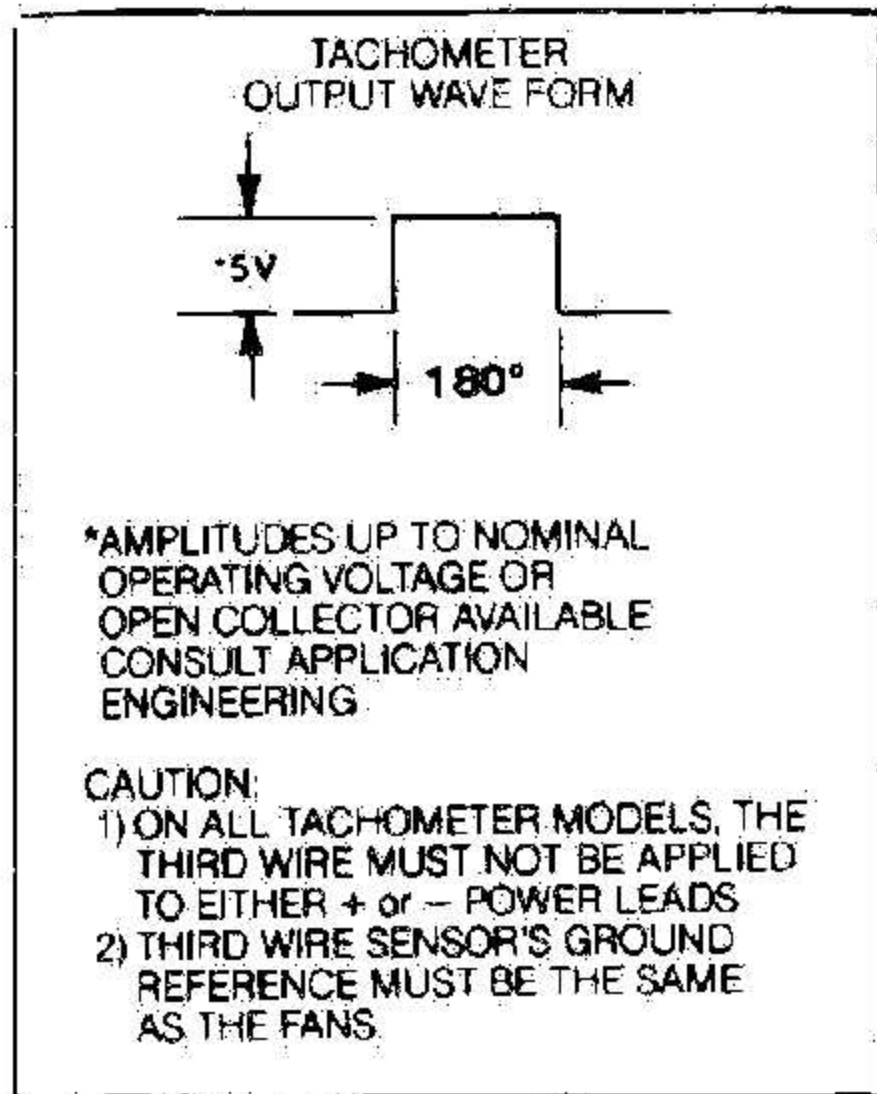
RED WIRE +
 BLACK WIRE -
 LEADWIRE - 22 AWG UL STYLE 1061

STRIPPED .50±.05
12.7±1.27

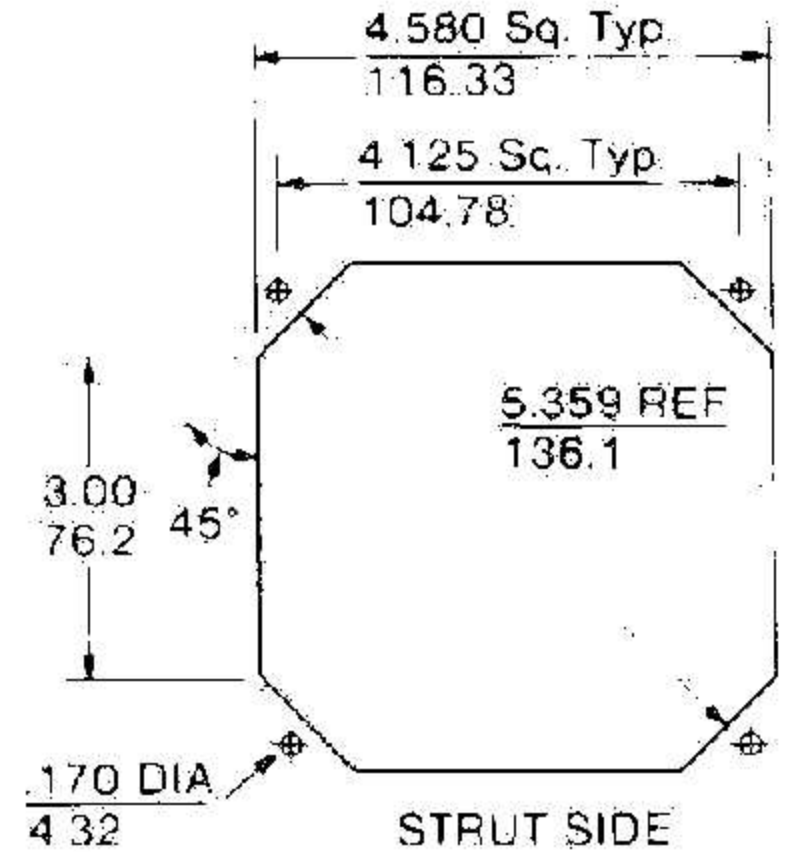
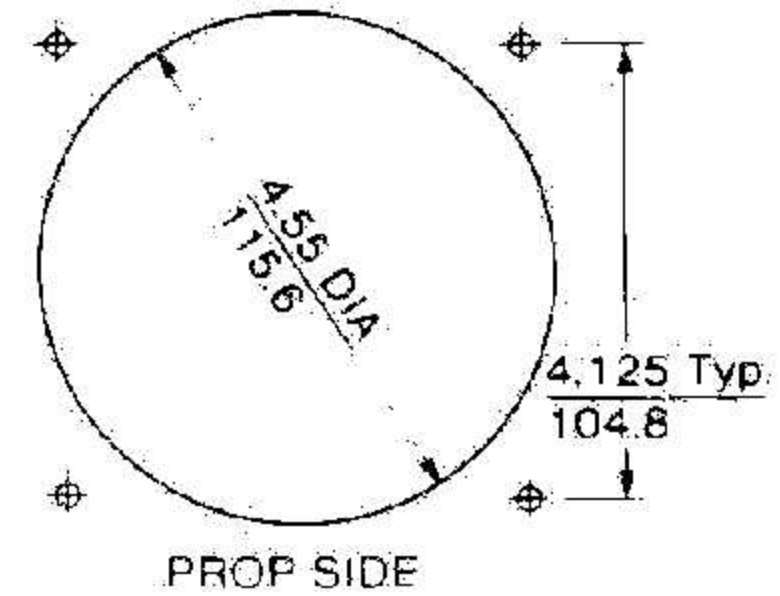
*TACHOMETER OUTPUT WIRE (WHEN SPECIFIED) IS BLUE W/WHITE TRACER (SEE 22 AWG. U.L. STYLE 1061)
 LENGTH: 15.00±1
381.0 25.4



LEADWIRE VERSION



RECOMMENDED CUT OUT



DIMENSIONS: in ±
mm ±

TOLERANCES: xx= .03
0.8

xxx=.010
.25

ANGULAR ±2°
(UNLESS NOTED)

Specifications subject to change without notice.