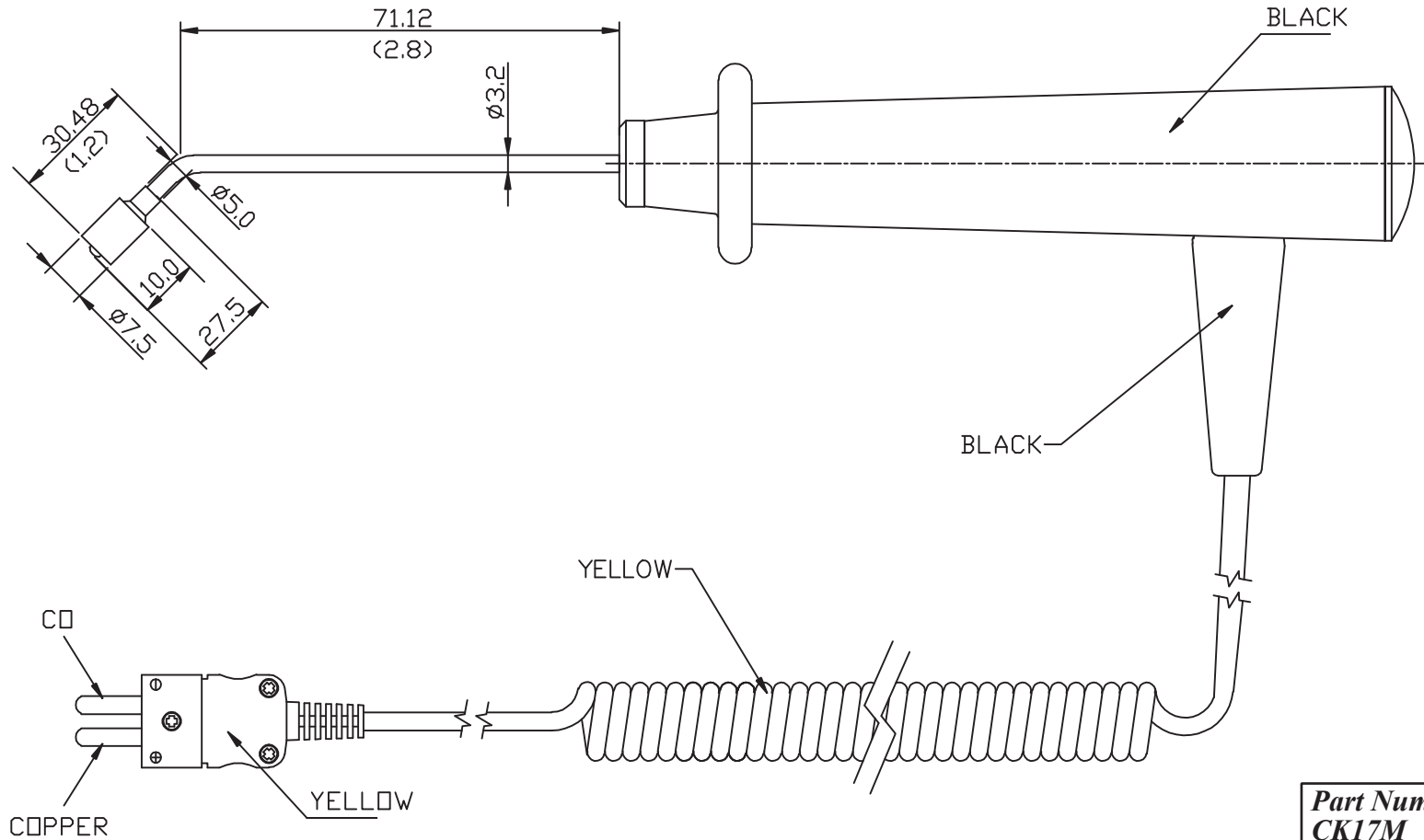


TYPE	SENSOR	CONNECTOR	RANGE	STEM LENGTH	DIAMETER	LEAD LENGTH	MATERIAL
CONTACT(SURFACE)	T-TYPE	SUB-MINI	-50C TO 250C	2.8/1.2inch	3.2m/m	1 meter	COPPER(+),CO(-)



<b>Part Number:</b> CK17M
<b>Date:</b> 10/03/07

mm  
(inch)