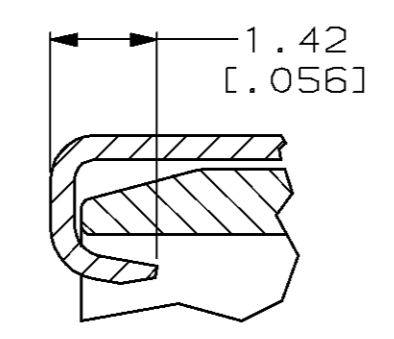
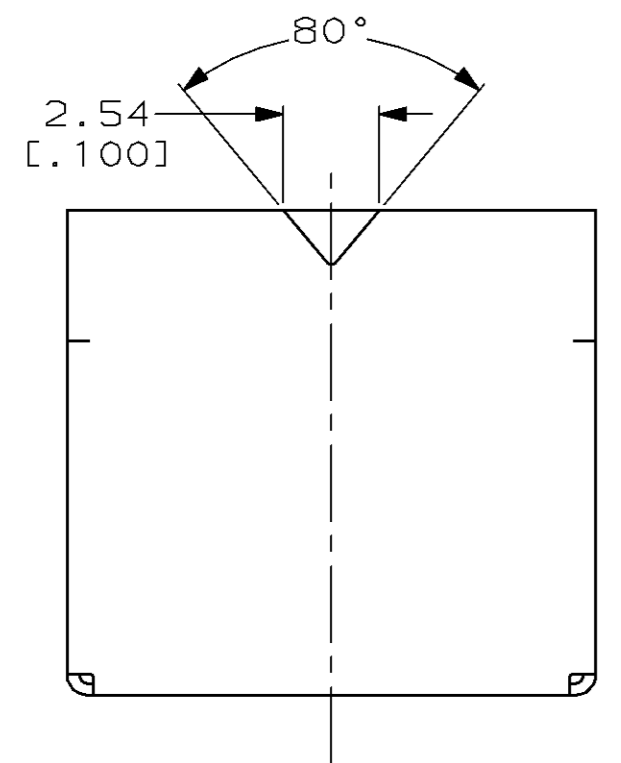
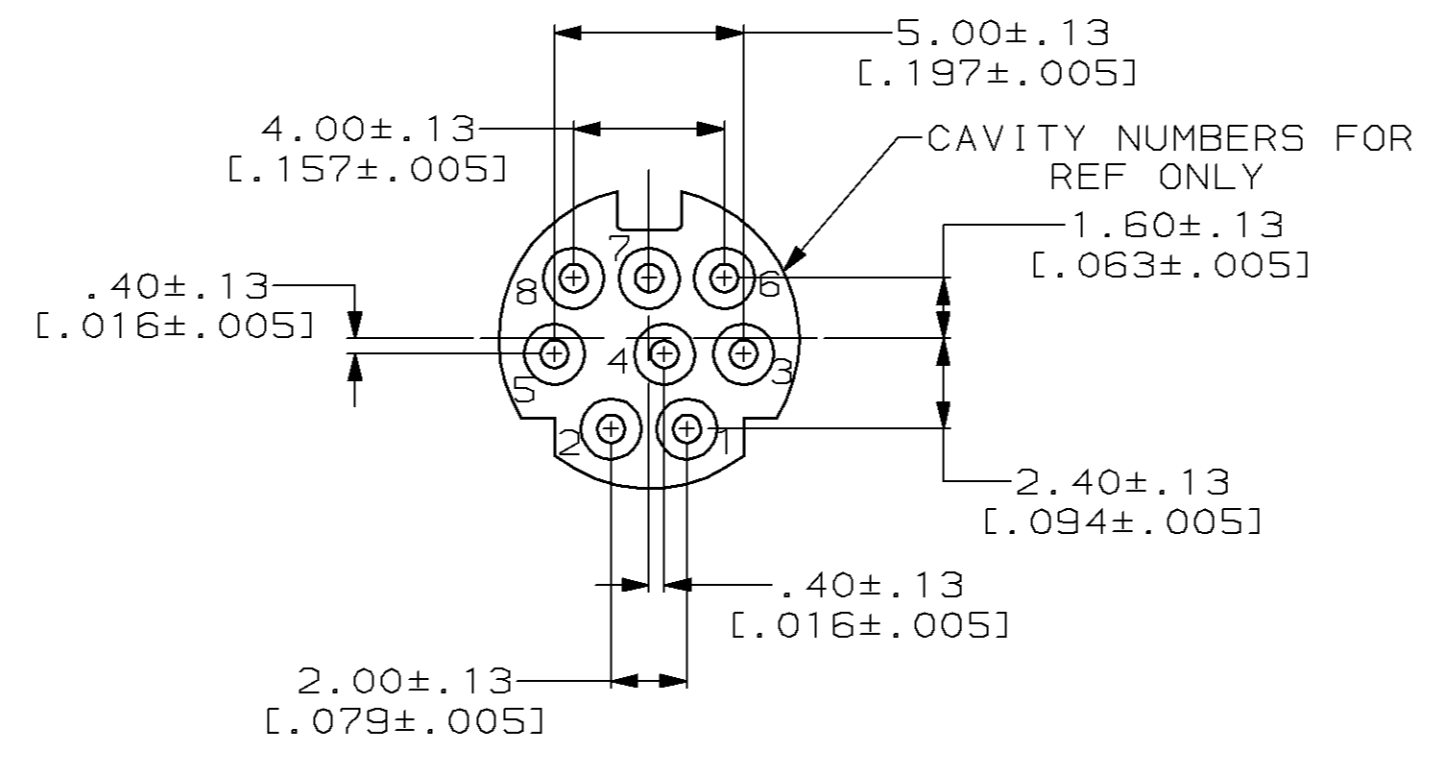


LOC	DIST	P	F	ZONE	LTR	REVISIONS			
						DESCRIPTION	DATE	APPD	
						O	RLSE NPR 2275 WAS 88-4837-21	01/05/89	-
						A	REVISED ECN-BD2959	05/08/89	RW
						B	REVISED ECN BD3043	06/20/89	-
						C	REV PER EC 0020-824-95	12 OCT 95	JH
						D	REV PER EC 0410-95-96	03 MAR 97	JGH
						E	REV PER EC 0410-281-97	28 SEP 97	JGH
						F	REV PER EC 0410-410-97	05 FEB 98	JGH

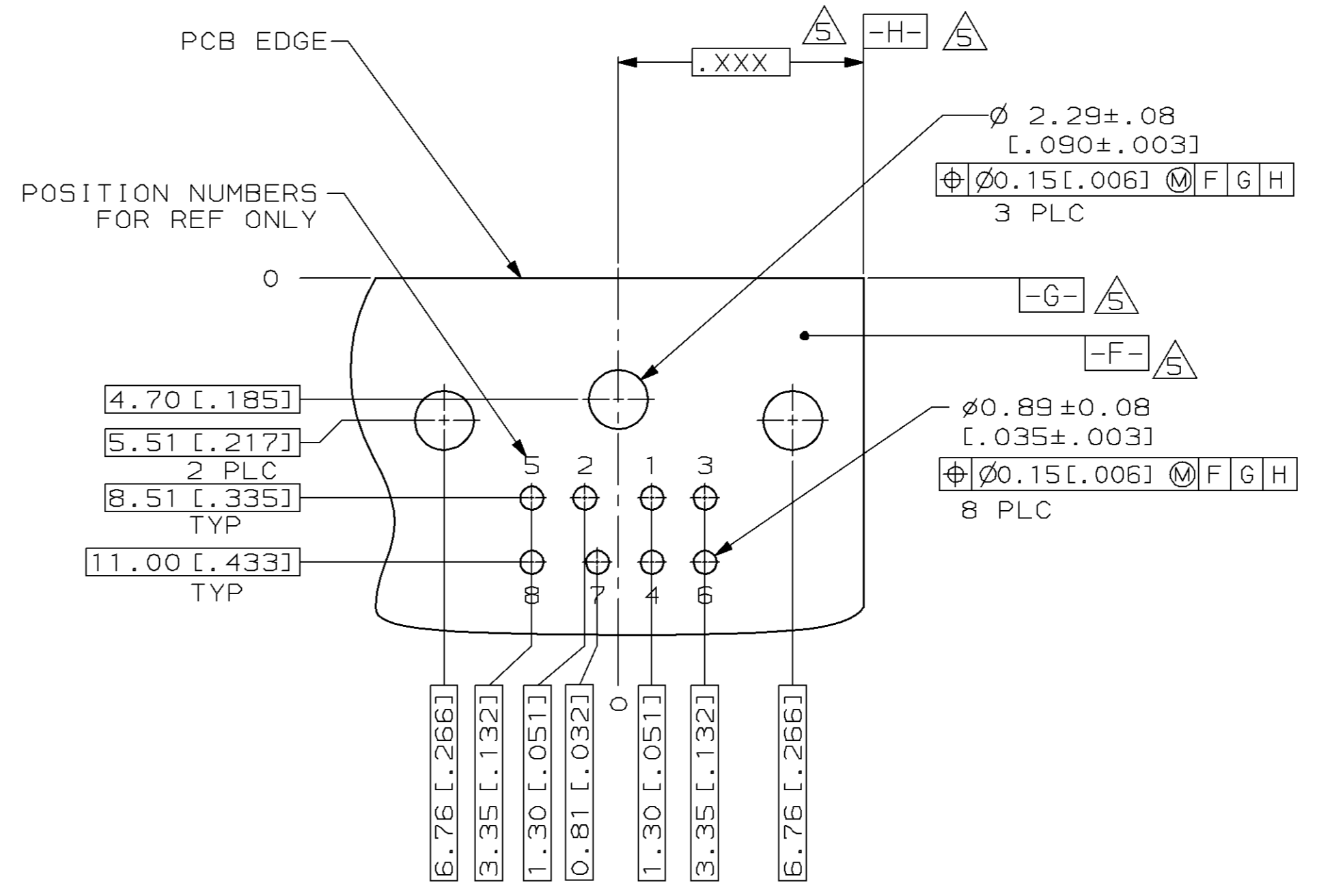
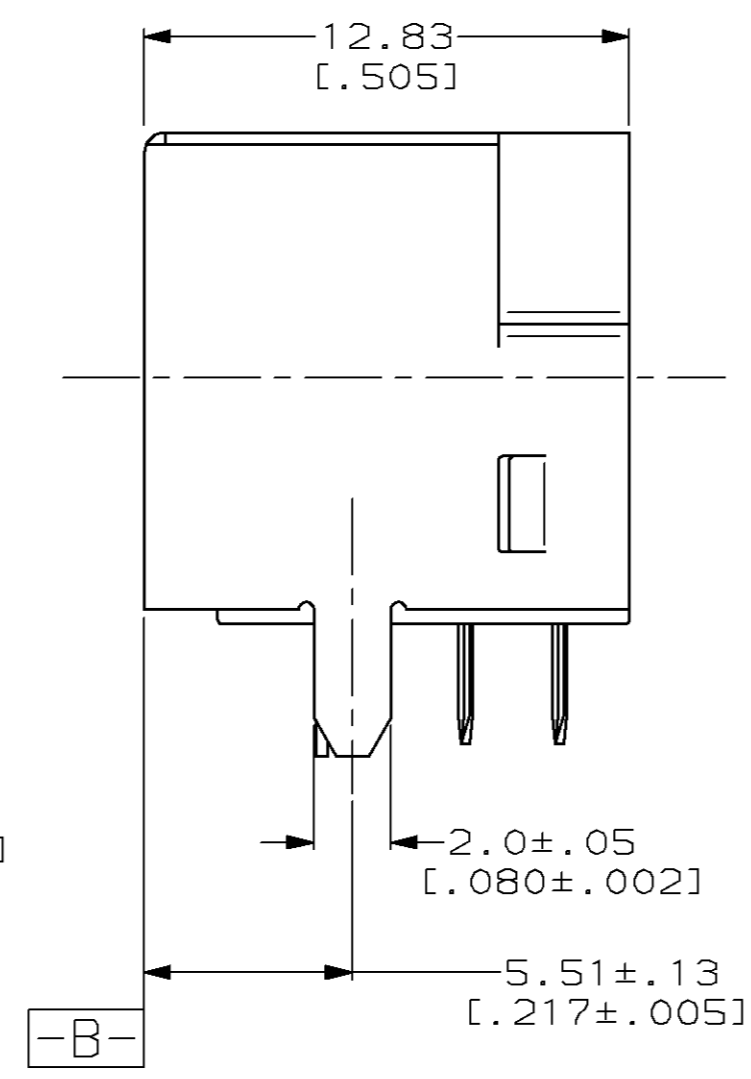
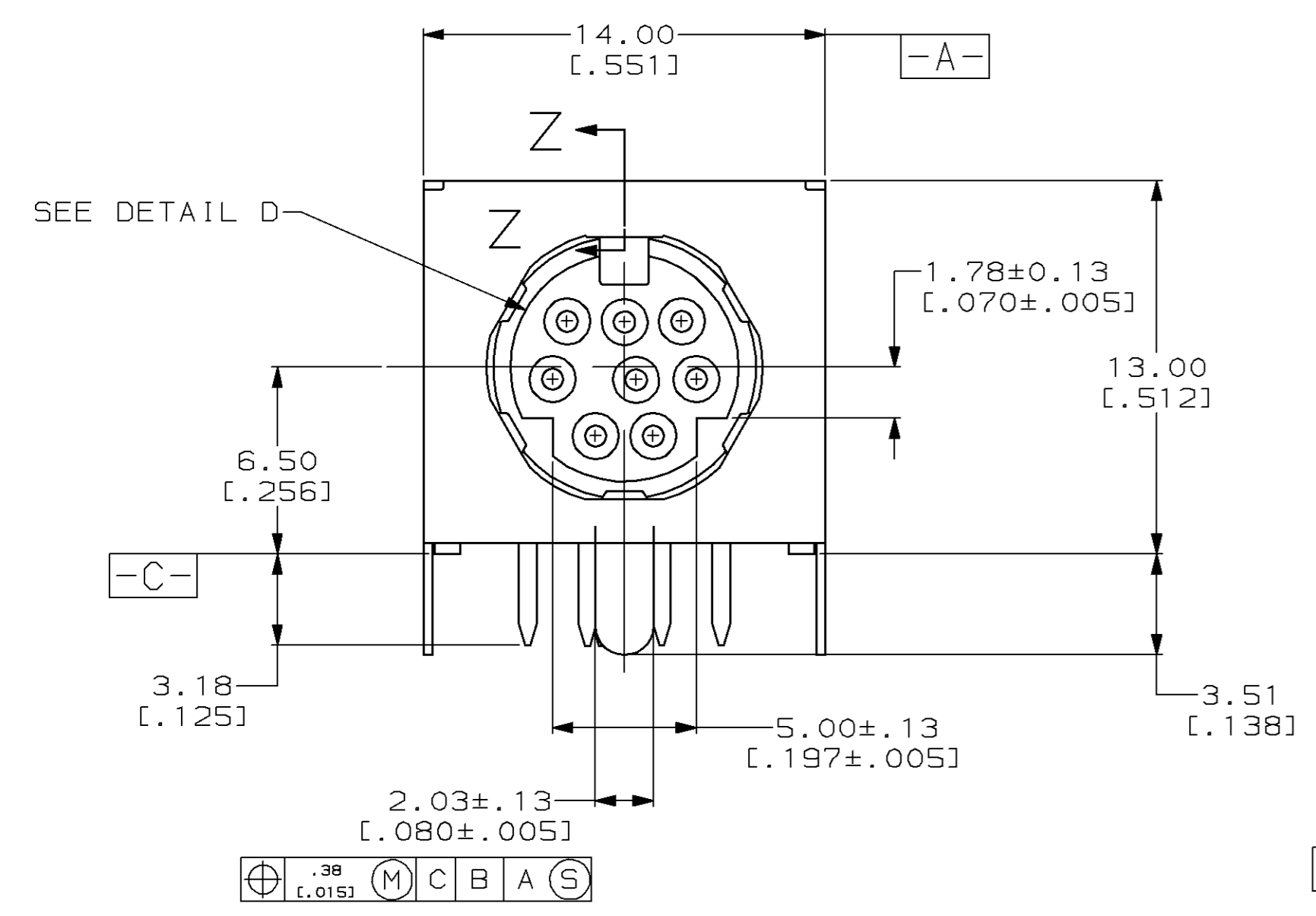


SECTION Z-Z
SCALE 10:1

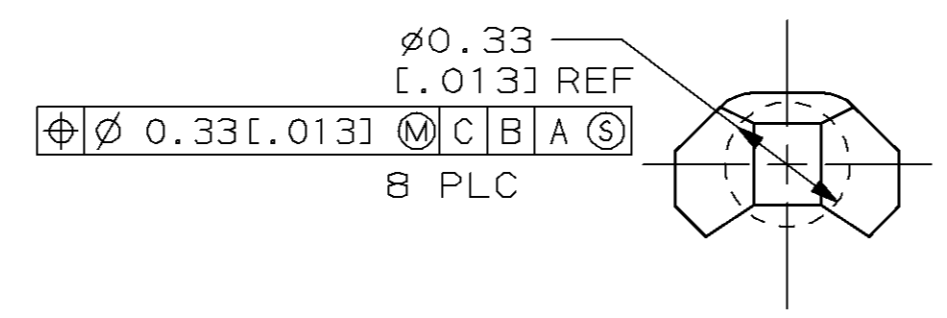
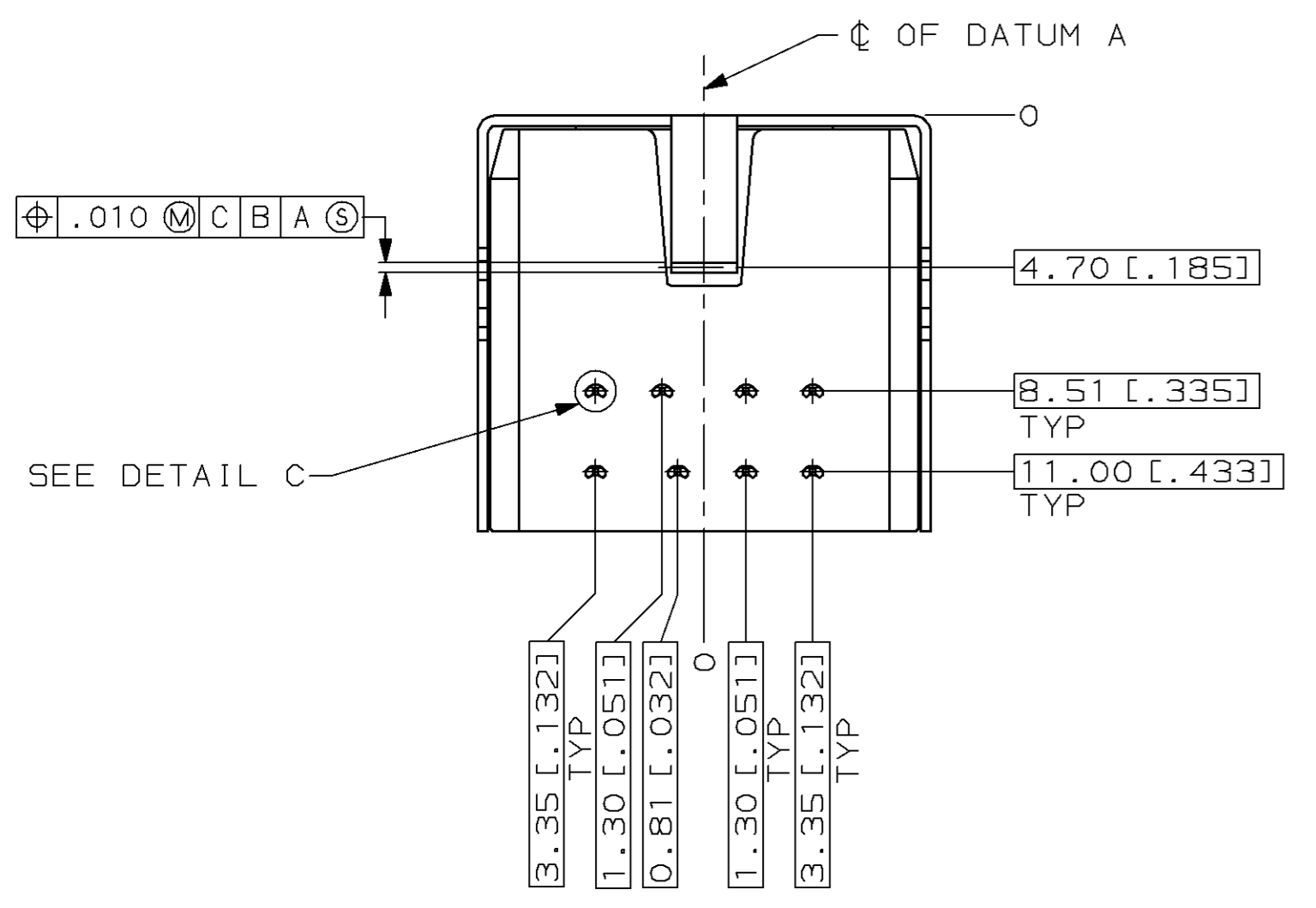


DETAIL D
8 PIN FACE

- 1 RECEPTACLE CONTACTS: COPPER ALLOY.
RECEPTACLE SHIELD: COPPER ALLOY.
HOUSING: THERMOPLASTIC, BLACK, 94V-0 RATED.
- 2 PLATING:
RECEPTACLE CONTACTS - GOLD FLASH PLATED ON MATING END, TIN-LEAD PLATED .0030 MIN [.000120 MIN] THICK ON SOLDER TAIL ALL OVER .0013 MIN [.000050 MIN] THICK NICKEL.
- 3 PLATING:
SHIELD: 1.50-4.00µm [.000059-.000158] THICK BRIGHT TIN.
- 4. RECEPTACLE ASSEMBLY MATES WITH 8 PIN 9.00±.10 [.354±.004]
- 5 DATUMS AND BASIC DIMENSION SUPPLIED BY CUSTOMER.



8 PIN PCB LAYOUT
BOTTOM VIEW



DETAIL C
SCALE 50:1

DO NOT SCALE PRINT. UNLESS SPECIFIED DIMENSIONS IN mm [INCHES] TOLERANCES ON: 2 PLC DEC ± - 3 PLC DEC ± 0.381 [.015] ANGLES ± 0°30'		DR 1-24-89 P. COSMOS	AMP INCORPORATED Harrisburg, Pa. 17105	
MATERIAL		CHK 1-24-89 C. OHL		
FINISH		APPD 1-24-89 B.H. MOSSER	NAME	
WEIGHT		APPD 1-24-89 E.C. MYERS	RECEPTACLE ASSY, 8 POS, RIGHT ANGLE, MINIATURE CIRCULAR DIN	
SIZE	FSCM NO	PRODUCT SPEC	DRAWING NO	749268
D	00779	108-1225	SCALE	
SCALE	5:1	APPLICATION SPEC	SHEET	1 OF 1

749268-1
PART NO