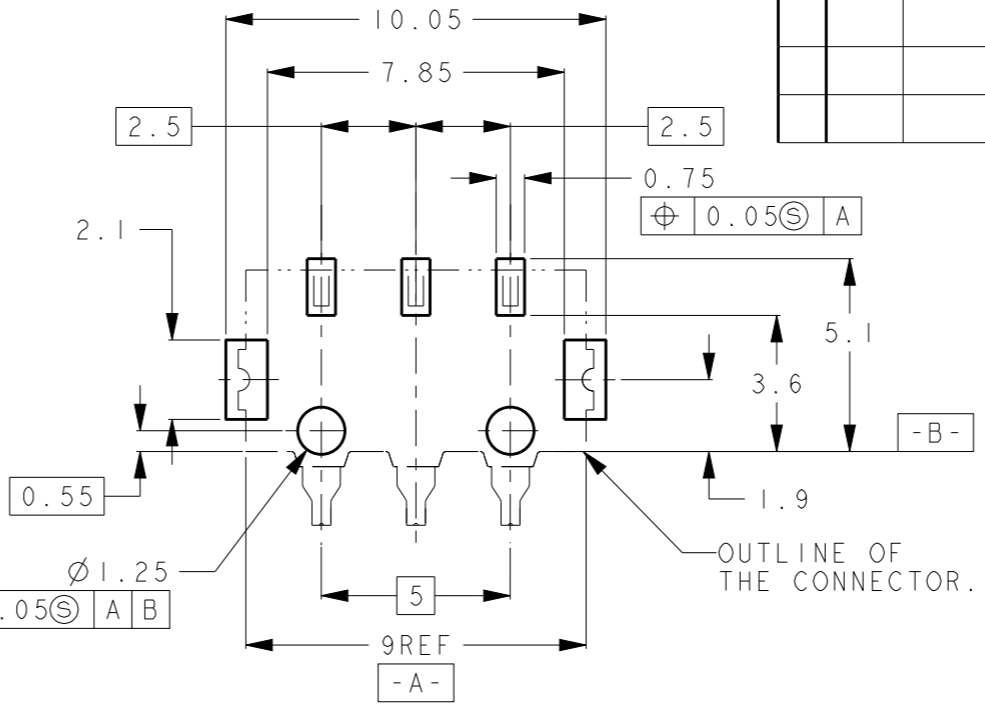
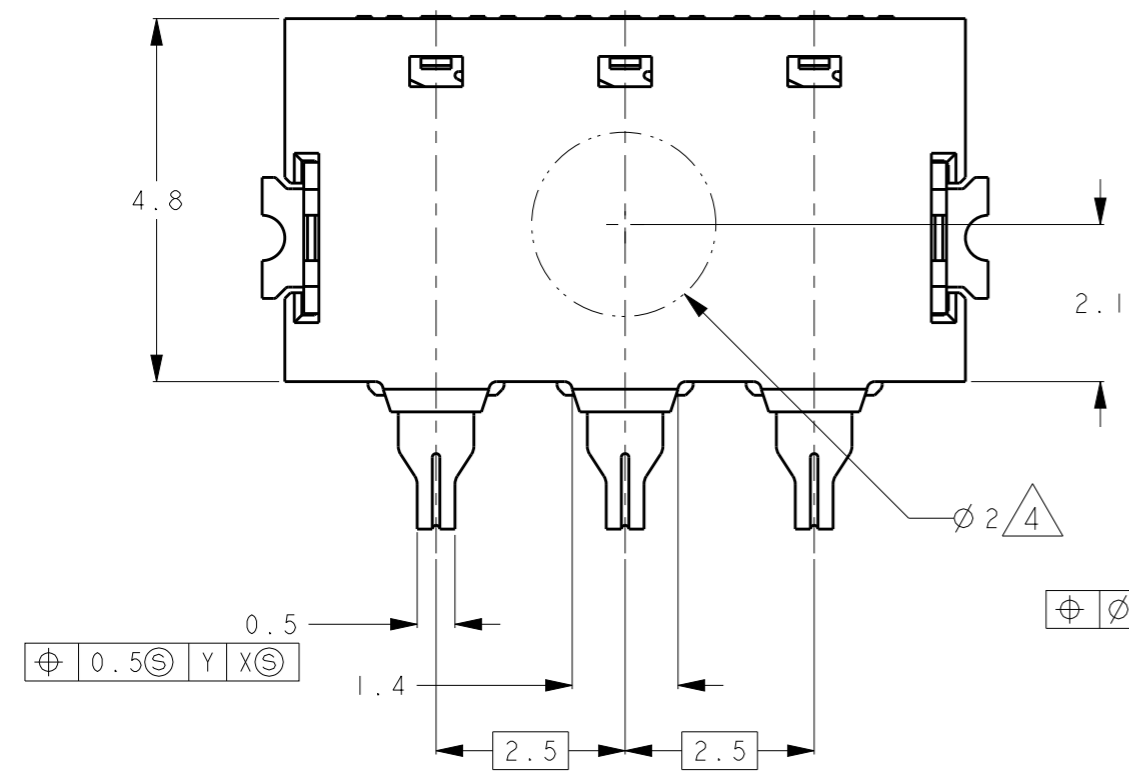
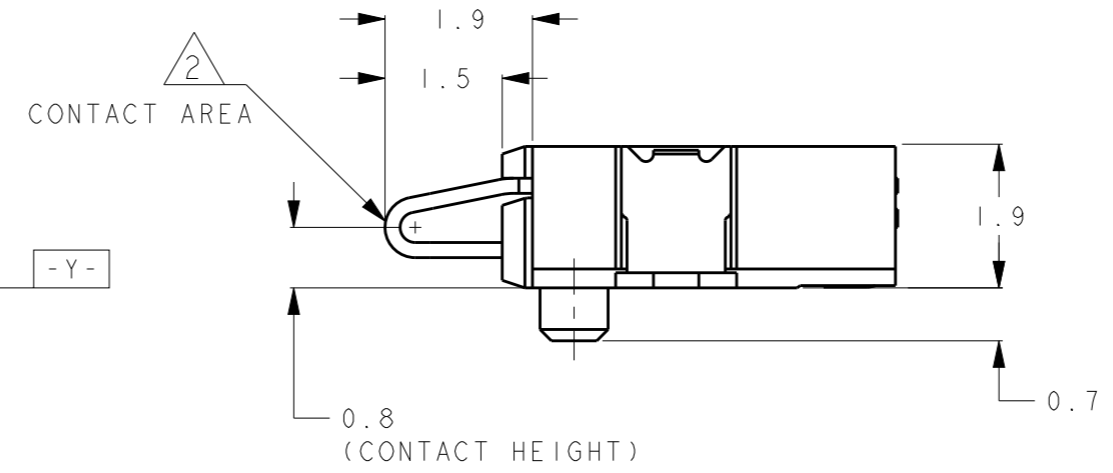
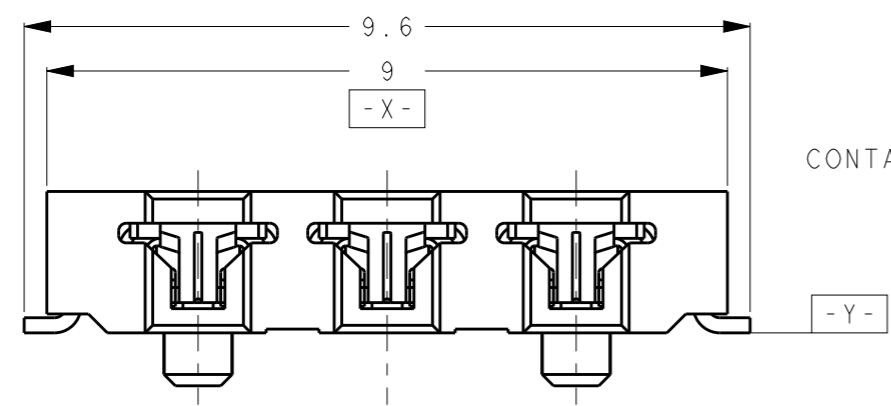


THIS DRAWING IS UNPUBLISHED. RELEASED FOR PUBLICATION 2012
 © COPYRIGHT 2012 BY - ALL RIGHTS RESERVED.

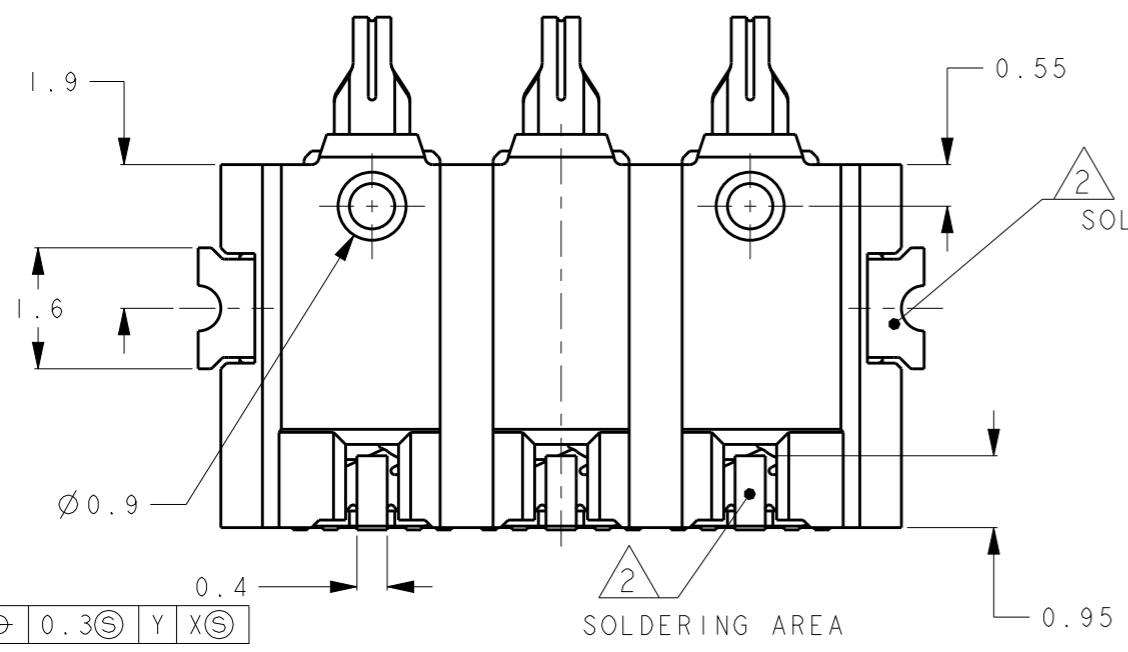
LOC	DIST	REVISIONS			
P	LTR	DESCRIPTION	DATE	DWN	APVD
	B	REVISED	ECR-13-003830	11MAR2013	T.K K.K



REFERENCE P.C BOARD LAYOUT
 (GENERAL TOLERANCE: ±0.05, SCALE 5:1)



- △ MATERIAL
 CONTACT: COPPER ALLOY
 HOUSING: THERMOPLASTIC, UL94V-0, BLACK
 SOLDER PEG: COPPER ALLOY
- △ FINISH
 CONTACT: NICKEL ALL OVER UNDER PLATING
 THICKNESS, 1μm MIN.
 GOLD PLATING AT CONTACT AREA
 THICKNESS, 0.3μm MIN.
 GOLD FLASH PLATING AT SOLDERING AREA
 THICKNESS, 0.05μm MIN.
 SOLDER PEG: NICKEL ALL OVER UNDER PLATING
 THICKNESS, 1μm MIN.
 GOLD FLASH PLATING AT SOLDERING AREA
 THICKNESS, 0.05μm MIN.
- 3. COPLANARITY 0.1MAX.
- △ PICK UP AREA
- 5. EMOSS AND COVER TAPE : ESD PROTECTION MATERIAL
- 6. STORAGE LIFE: UNDER 6 MONTHS
 WITHOUT DRYPACK AND BAKING PROCESS



2229056-1: AS SHOWN

THIS DRAWING IS A CONTROLLED DOCUMENT.		DWN T. KATANO 15JAN2013	TE Connectivity	
DIMENSIONS: mm		CHK K. KOBAYASHI 15JAN2013		
TOLERANCES UNLESS OTHERWISE SPECIFIED: ±0.3		APVD K. KOBAYASHI 15JAN2013	NAME	
0-PLC ± 1-PLC ± 2-PLC ± 3-PLC ± 4-PLC ± ANGLES ±3°		PRODUCT SPEC 108-78965	LOW PROFILE BATTERY CONNECTOR 3 POS. CONTACT HEIGHT 0.8mm	
MATERIAL △1		APPLICATION SPEC	SIZE A3	CAGE CODE 00779
FINISH △2		WEIGHT	DRAWING NO C-2229056	RESTRICTED TO
		CUSTOMER DRAWING	SCALE 10:1	SHEET 1 OF 2 REV B

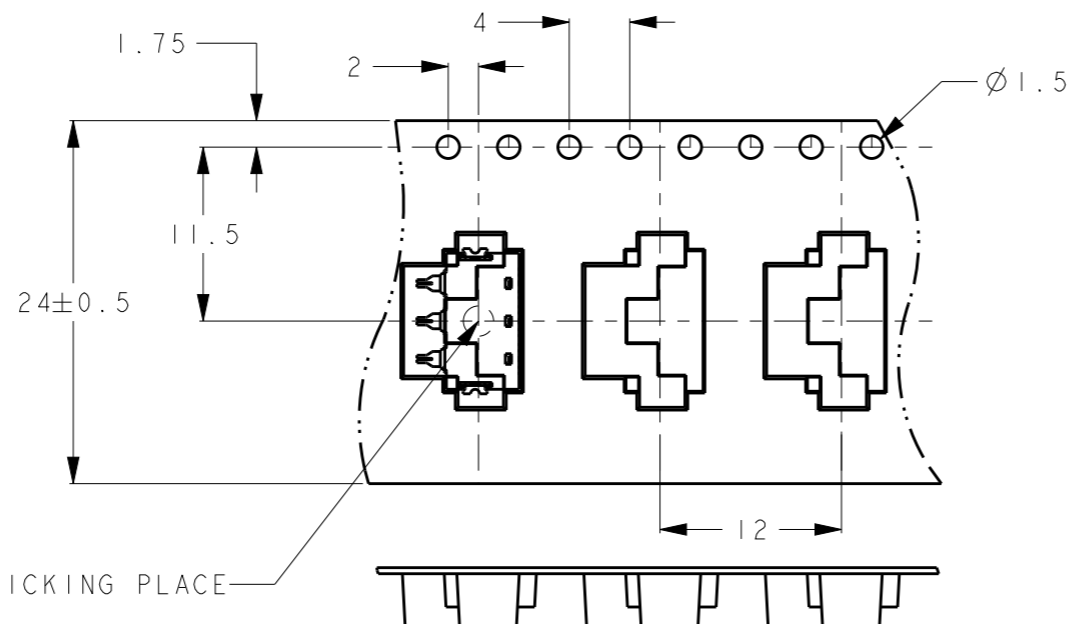
LOC
J

DIST
-

REVISIONS

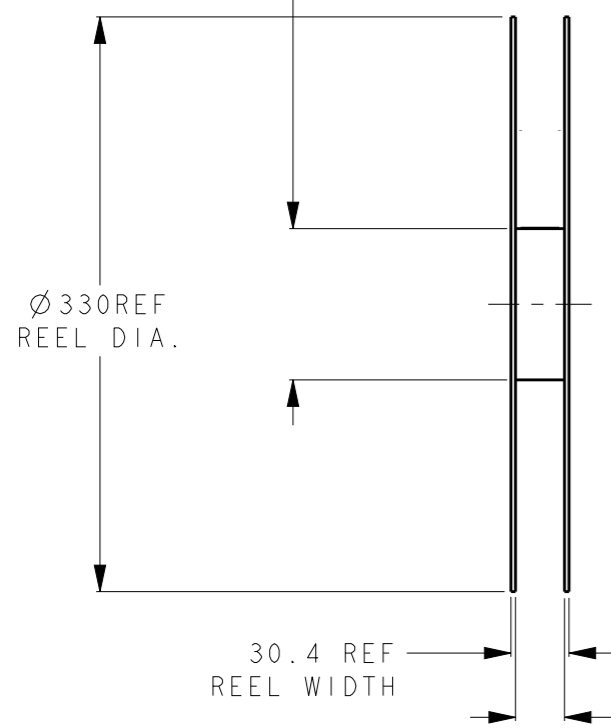
P	LTR	DESCRIPTION	DATE	DWN	APVD
-	-	SEE SHEET 1	-	-	-

⇒ DIRECTION OFF TOP OF REEL



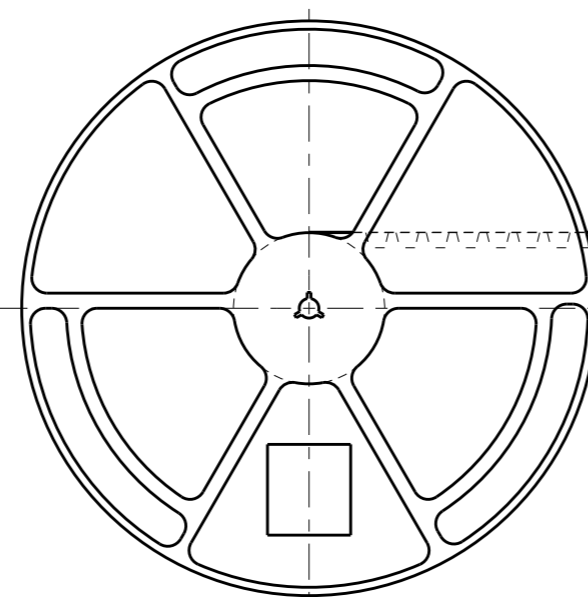
CENTER OF THE PICKING PLACE

FLANGE CORE DIA
Ø100REF



300 REF
WEEDING THE COVER TAPE.

165°~180°
PEELING ANGLE
0.1~0.7N(300mm/min)
PEELING STRENGTH



300REF
WITHOUT CHARGE

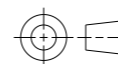
WITH PRODUCT CHARGE
1400PCS/REEL

WITHOUT CHARGE
20HOLES MIN.

THIS DRAWING IS A CONTROLLED DOCUMENT.

DIMENSIONS:

mm



TOLERANCES UNLESS OTHERWISE SPECIFIED:

±0.3

Ø PLC	±
1 PLC	±
2 PLC	±
3 PLC	±
4 PLC	±
ANGLES	±3°
FINISH	

MATERIAL

DWN

CHK

APVD

PRODUCT SPEC

APPLICATION SPEC

WEIGHT

CUSTOMER DRAWING



TE Connectivity

NAME

LOW PROFILE BATTERY CONNECTOR 3 POS.
CONTACT HEIGHT 0.8mm

SIZE

CAGE CODE

DRAWING NO

RESTRICTED TO

A300779

C=2229056

SCALE
NTS

SHEET
2 OF 2

REV
B