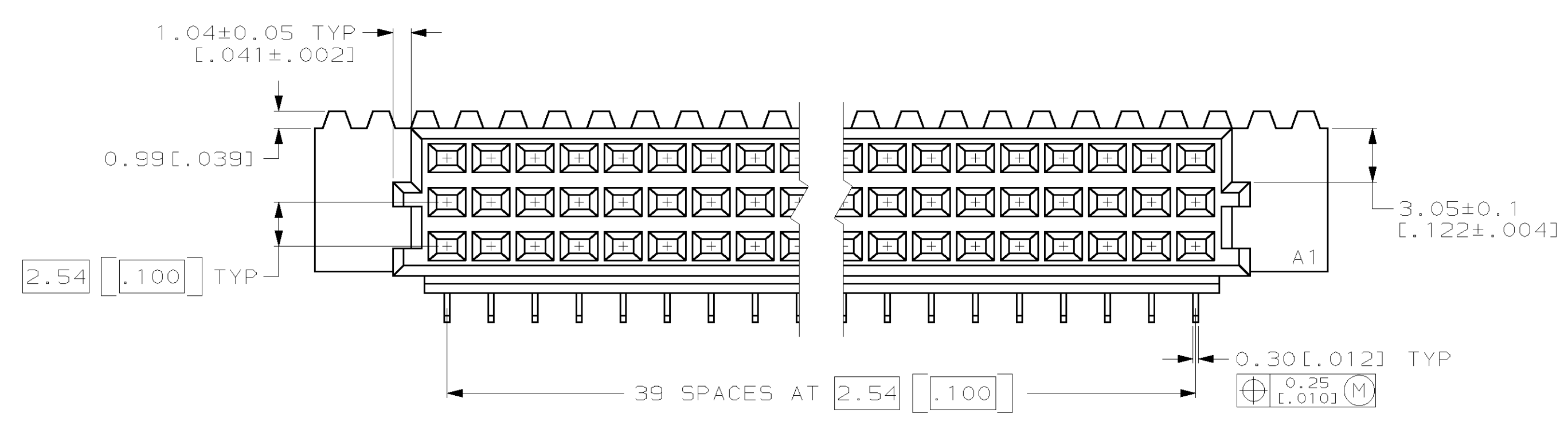
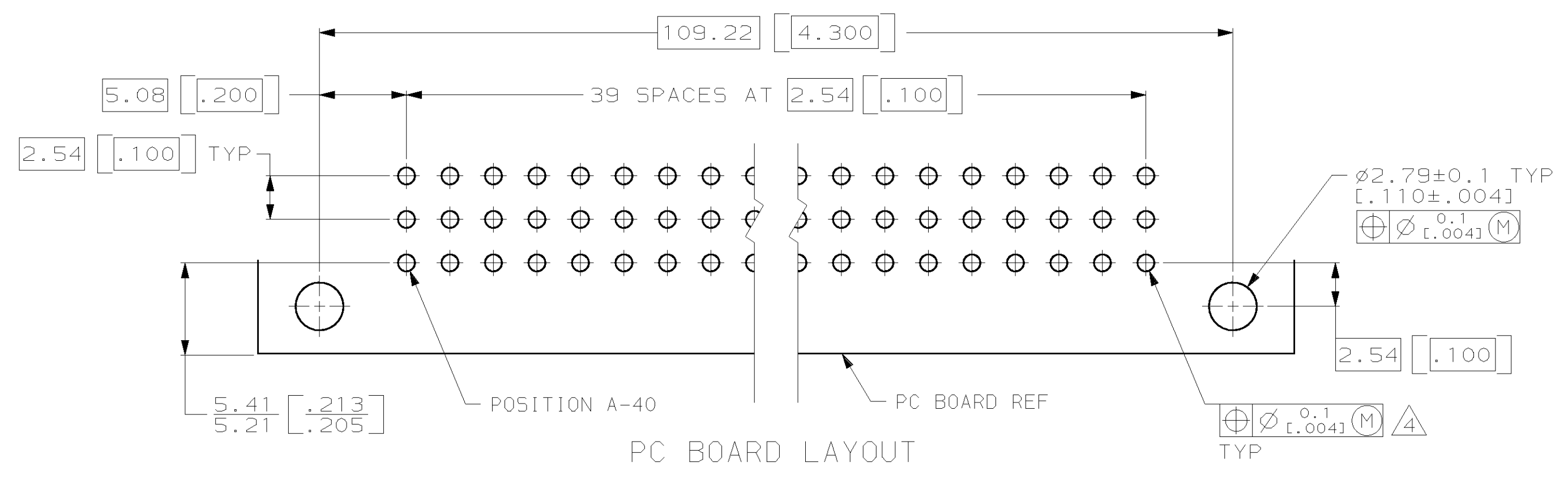
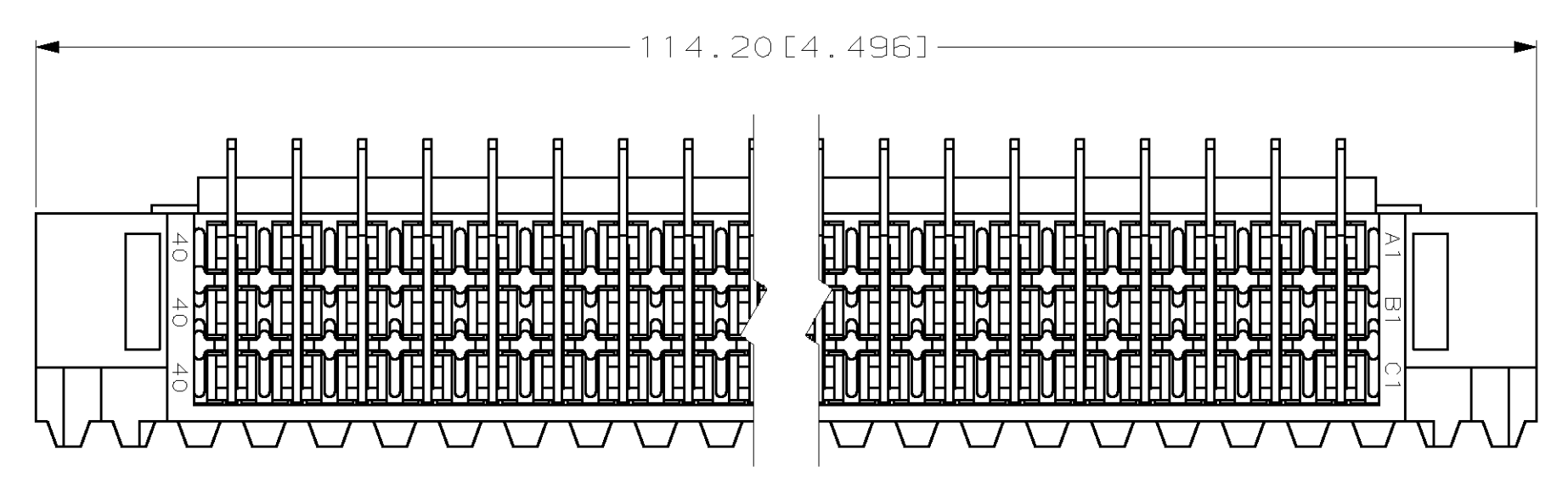
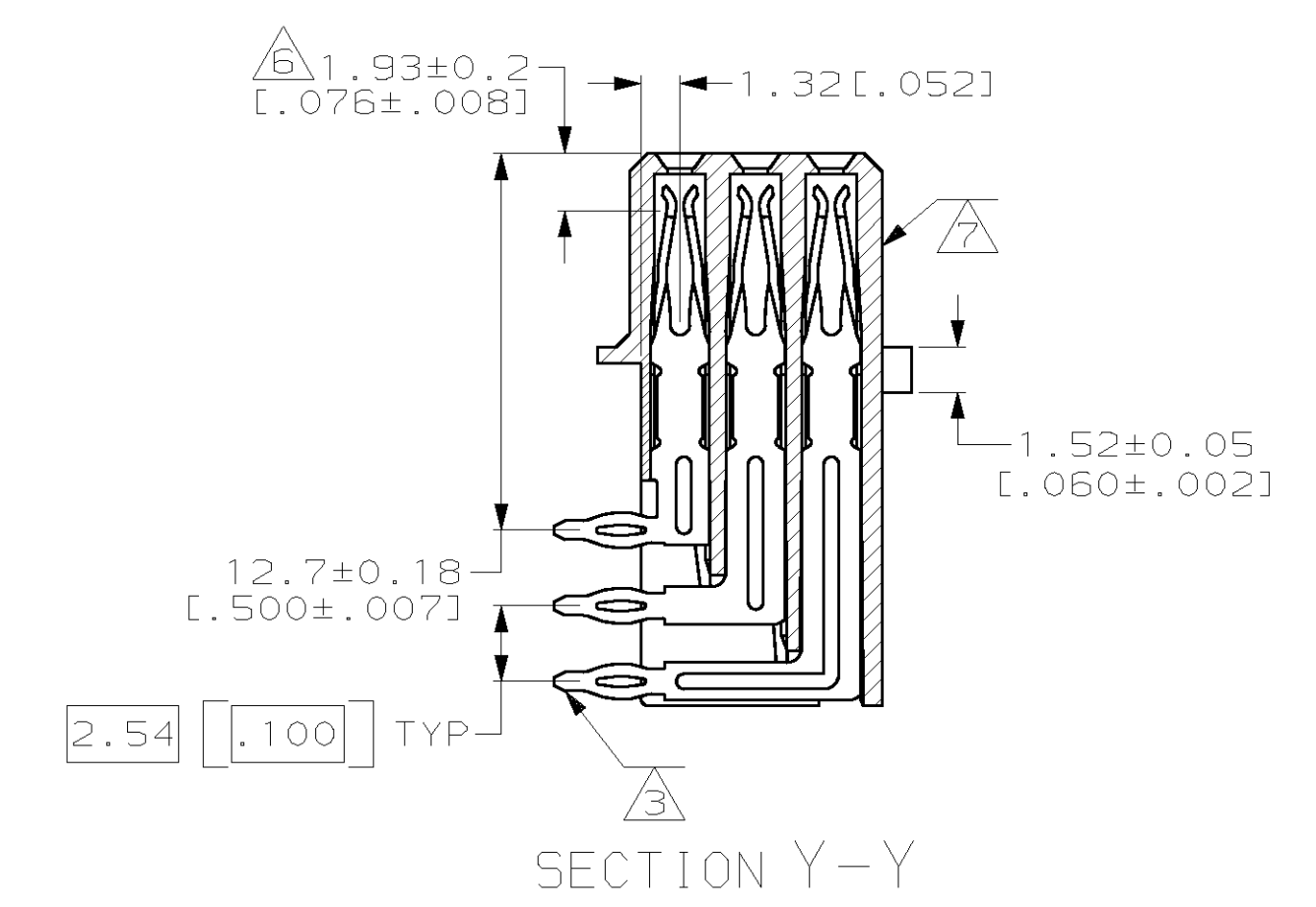
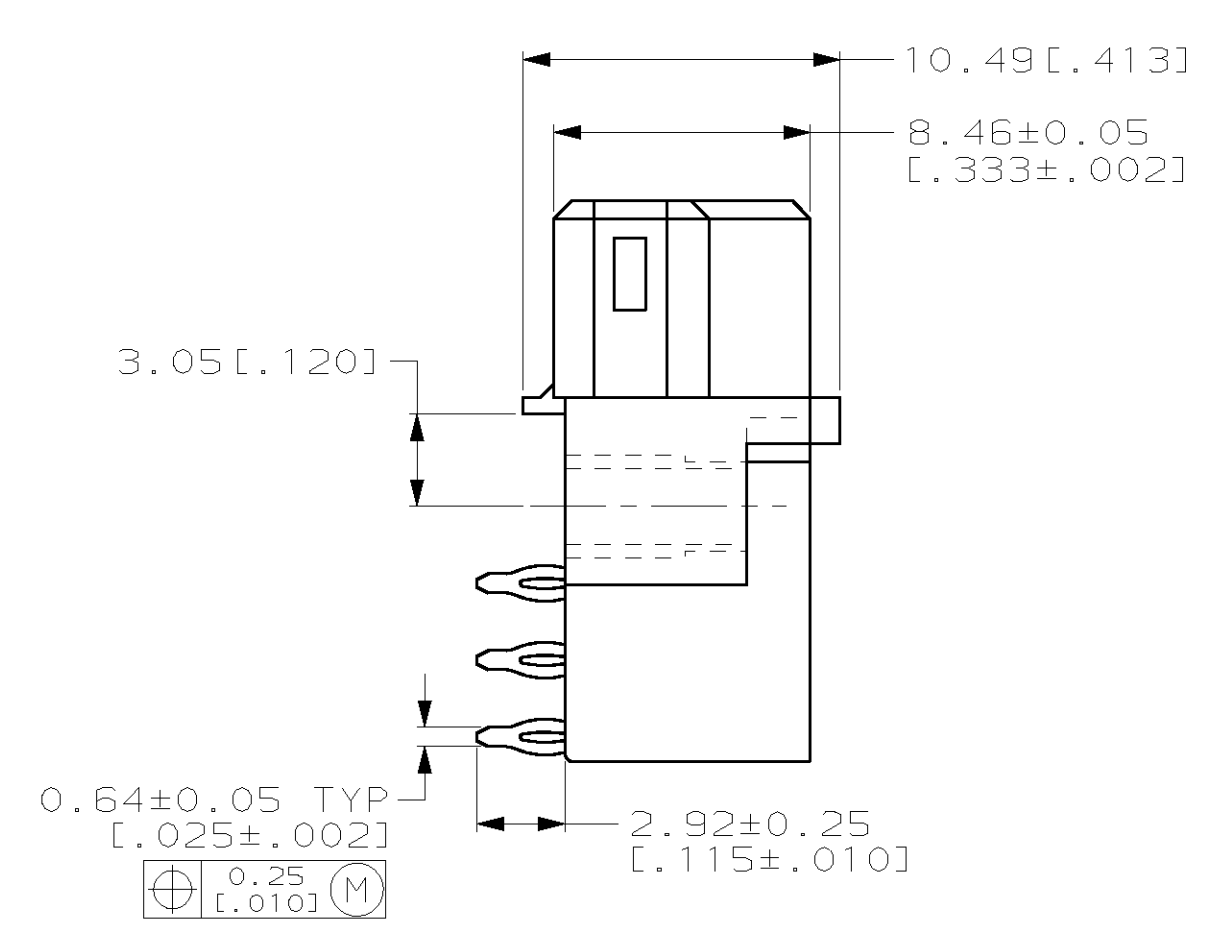
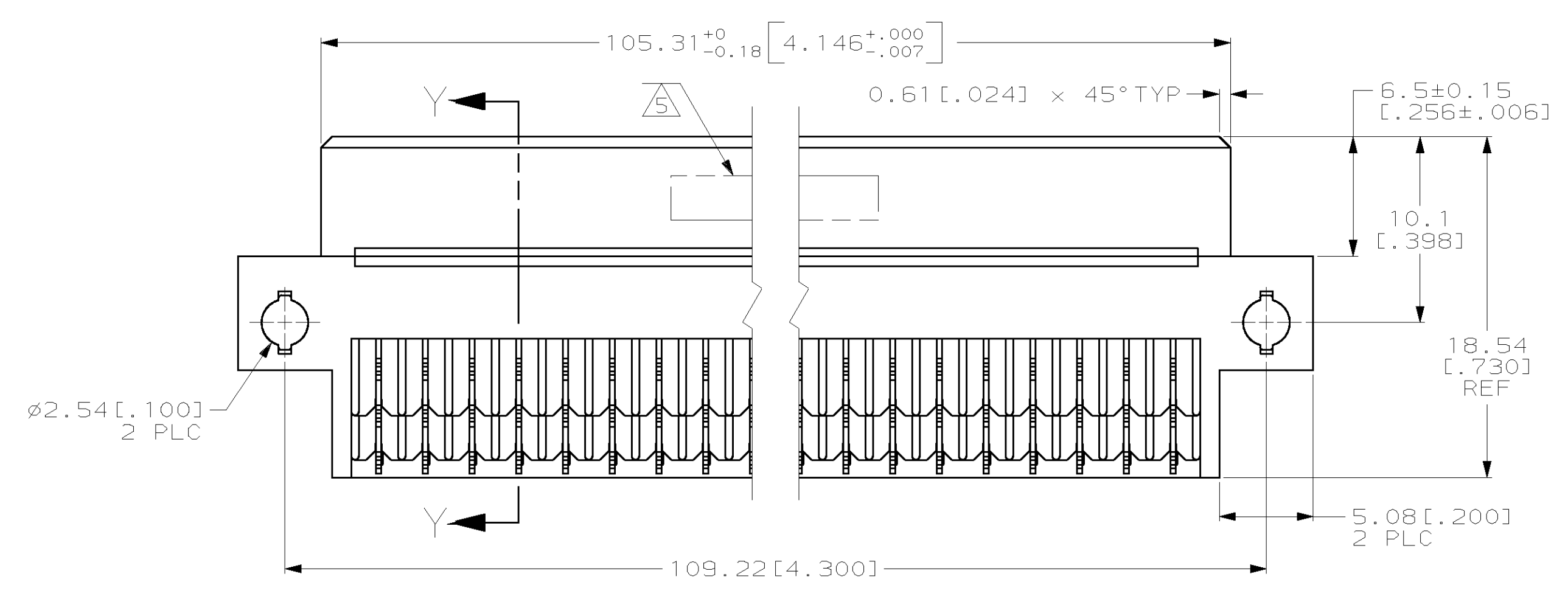


REVISIONS		DATE	OWN	APVD
AD	25			
0	DRAWN	-	-	-
A	REV PER EC 0621-50-99	26 MAY 99	BC	CR



- △ HOUSING MATERIAL: GLASS-FILLED POLYESTER. COLOR: GRAY.
- △ CONTACT MATERIAL: PHOSPHOR BRONZE.
- △ CONTACT FINISH: DIN 41612 CLASS 2 IN CONTACT AREA. TIN-LEAD PLATE ON POSTS.
- △ COMPLIANT PIN REQUIRES 1.57 [.062] MINIMUM THICK PC BOARD. RECOMMENDED PC BOARD HOLES ARE $\phi 1.151 \pm 0.025$ [.0453±.0010] DRILLED HOLES WITH 0.02-0.08 [.001-.003] COPPER AND 0.008 [.0003] MINIMUM TIN-LEAD PLATING. FINISHED HOLES AFTER PLATING, $\phi 0.94-1.09$ [.037-.043].
- △ PART NUMBER, DATE CODE IDENTIFICATION, CSA LOGO HOT-STAMPED THIS APPROXIMATE AREA.
- △ CONTACT POINT.
- △ HOT-STAMPING ON THIS SIDE.



148360-5
PART NUMBER

THIS DRAWING IS A CONTROLLED DOCUMENT.		DWN L. BRINER 3/21/97	AMP Incorporated Harrisburg, PA 17105-3608
DIMENSIONS: mm (INCHES)		CHK C. RICHARD 3/21/97	
TOLERANCES UNLESS OTHERWISE SPECIFIED:		APVD C. RICHARD 3/21/97	NAME RECEPTACLE ASSEMBLY, EUROCARD, TYPE R, PRESS-FIT, 120 POSITION
0 PLC ± 1 PLC ± 2 PLC ±0.13 (.005) 3 PLC ± 4 PLC ± DIMENSIONS ±		PRODUCT SPEC	SIZE A1
MATERIAL HOUSING: △ POST: △		APPLICATION SPEC	CAGE CODE 00779
FINISH		WEIGHT	DRAWING NO 148360
CUSTOMER DRAWING		SCALE 4:1	SHEET 1 OF 1 REV A