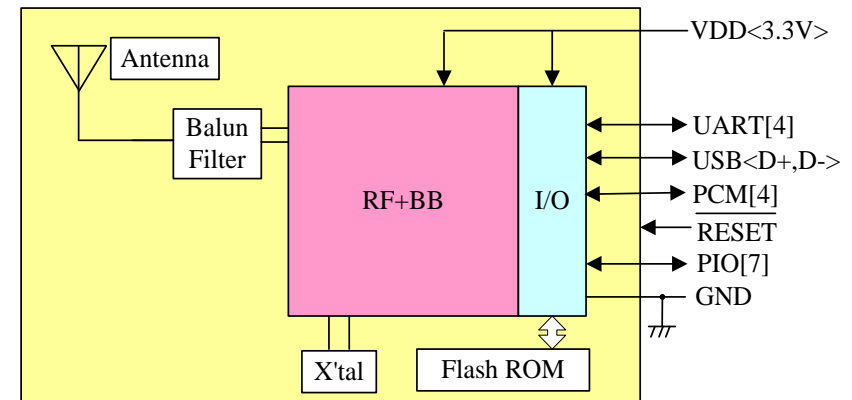


# BT: Antenna type Module - SPP

## Features EYSFDCAXX-XT

- The module is a Max.4dBm(Class2) module.
- Bluetooth*® standard Ver. 2.1+EDR conformity.
- Internal baseband clock oscillator.
- Support functions.  
Hold, Sniff, Park, AFH, Faster Inquiry & Connection, EDR, SSP, SSR, EIR, EPR
- Interface: UART, PCM
- Protocol stack: Under HCI firmware.
- Outline: 31x 15 x 3 mm (Max.)
- Complete Lead Free
- RoHS (2002/95/EC) Conformity
- Embedded – SPP
- Modular Type Approval

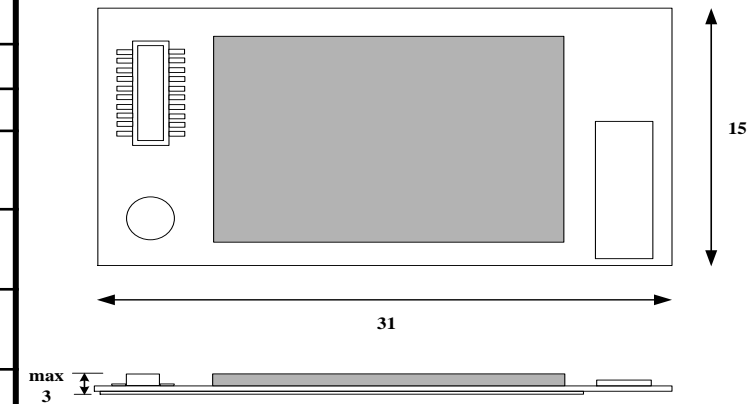
## Block Diagram



## General Electrical Specification

Parameter	Description	Min.	Typ.	Max.	Units
Carrier Frequency		2.402		2.480	GHz
Operating Voltage (VDD)	UART Interface	3	3.3	3.6	V
RF Output Power	Measured in 50 ohm	-6	0	4	dBm
RX Sensitivity		-	-83	-70	dBm
Input Low Voltage	/RESET, PIOX, PCM_IN, PCM_CLK, PCM_SYNC, UART_RX, UART_CTS	-0.3		0.8	V
Input High Voltage	/RESET, PIOX, PCM_IN, PCM_CLK, PCM_SYNC, UART_RX, UART_CTS	0.7 x VDD		VDD + 0.3	V
Output Low Voltage	PIOX, PCM_OUT, PCM_CLK, PCM_SYNC, UART_TX, UART_RTS	-		0.4	V
Output High Voltage	PIOX, PCM_OUT, PCM_CLK, PCM_SYNC, UART_TX, UART_RTS	VDD - 0.4		-	V
Average Current Consumption	Receive DM1		40	-	mA

## Outline



Note: The above PRELIMINARY data are not guaranteed and are subject to change without notice.

The *Bluetooth*® word mark and logos are owned by the *Bluetooth* SIG, Inc. and any use of such marks by TAIYO YUDEN CO.,LTD. is under license.

Unit: mm