



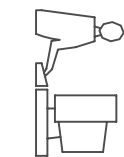
**ELECTRICAL CIRCUIT:**

CONNECTOR SOLDER SIDE

RJ45 CONTACT SIDE

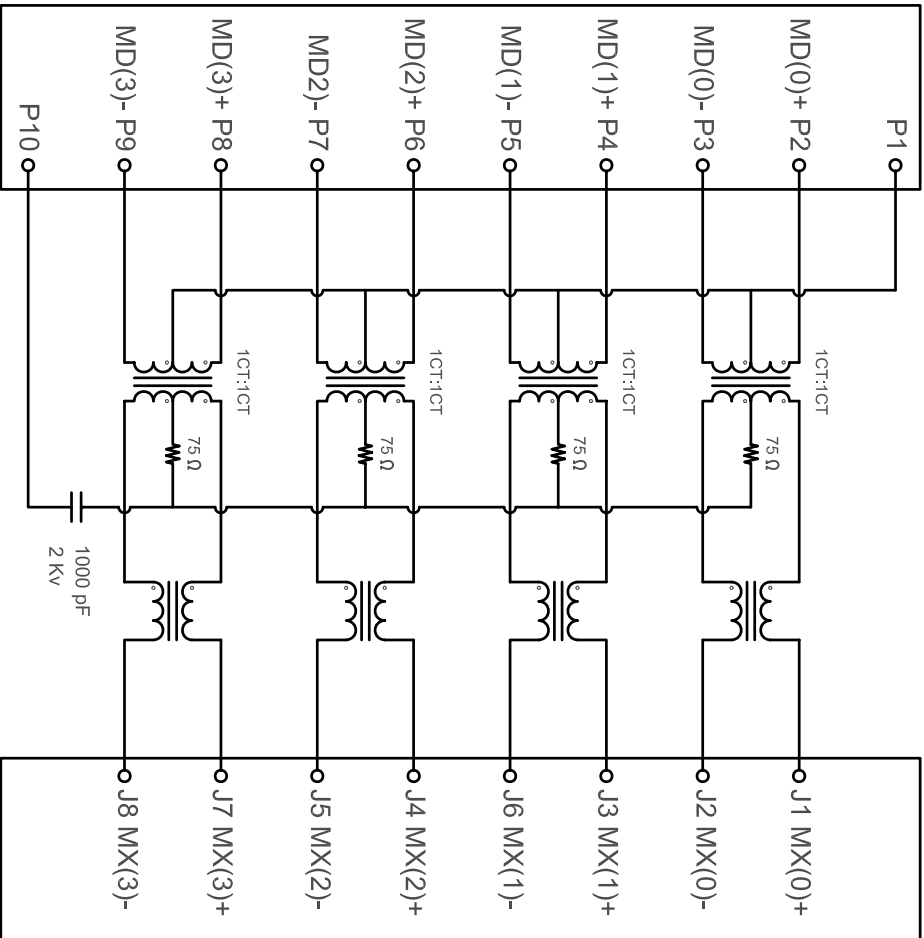
| TOLERANCE UNLESS OTHERWISE SPECIFIED IN MM: |        | ANGLE | 3° |
|---|--------|-------|----|
| 0   | ± 0.50 |       |    |
| 0.0   | ± 0.38 |       |    |
| 0.00  | ± 0.25 |       |    |
| 0.000                                       | ± 0.10 |       |    |

THIS IS A C.A.D. GENERATED DRAWING  
DO NOT MAKE MANUAL REVISIONS TO MASTER.

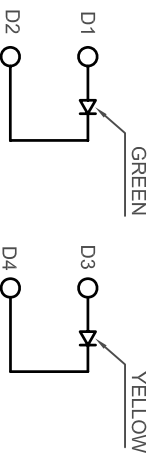


ISSUE NUMBER  
ORIGINAL

1



**LED CIRCUIT:**



**TEST NOTES:(25°±5°C)**

- TR:(100KHz,0.1V): 100%  
PINS:(P2,P3):(J1,J2)=1:1±3%:(P4,P5):(J3,J6)=1:1±3%  
PINS:(P6,P7):(J4,J5)=1:1±3%:(P8,P9):(J7,J8)=1:1±3%
- LX:(100KHz,100mV,8mA, DC Bias) 100%  
PINS:(P2,P3),(P4,P5),(P6,P7),(P8,P9)=350uH MINIMUM
- DCR: 100%  
PINS:(J1,J2),(J3,J6),(J4,J5),(J7,J8)=1.2Ω MAXIMUM
- HIPOT: 100%  
PINS:(P2,P3)TO(J1,J2),(P4,P5)TO(J3,J6)=1500VAC FOR 2 SECONDS  
PINS:(P6,P7)TO(J4,J5),(P8,P9)TO(J7,J8)=1500VAC FOR 2 SECONDS
- INSERTION LOSS:  
-1.0dB MAXIMUM AT 1MHZ TO 100MHZ;
- RETURN LOSS:  
-20DB MINIMUM AT 1MHZ TO 30MHZ;  
-15DB MINIMUM AT 30MHZ TO 60MHZ  
-10DB MINIMUM AT 60MHZ TO 80MHZ
- CROSS TALK:  
-30DB MINIMUM AT 1MHZ TO 100MHZ  
-30DB MINIMUM AT 1MHZ TO 100MHZ
- COMMON TO COMMON MODE REJECTION:  
-30DB MINIMUM AT 1MHZ TO 100MHZ

| Color  | Lens Color      | Vf(V)<br>@20mA |     | Iv(mcd)<br>@10mA |     | Viewing angle |
|--------|-----------------|----------------|-----|------------------|-----|---------------|
|        |                 | Min            | Max | Min              | Typ |               |
| Yellow | Yellow Diffused | 1.7            | 2.8 | 3.0              | 6.0 | 2θ 1/2<br>116 |
| Green  | Green Diffused  | 1.7            | 2.8 | 3.5              | 6.0 | 116           |

**RJ45 MAGNETIC JACK WITH LED, 10P, 8C  
SHIELDED/10/100/1000 Mbps FILTER**

ACAD REFERENCE NO.: A60-112-331P432

DRAWN: R.STA.MONICA DATE: JAN.24/2011

CHECKED: DATE:

PART NUMBER

SEE NOTE

SHEET 2 OF 2

DRAWING NUMBER

A60-112-331P432

ISSUE

1



THIS SERIES FULLY CONFORMS TO THE  
EUROPEAN UNION DIRECTIVES 2002/95/EC  
AND 2002/96/EC FOR ROHS COMPLIANCY.



EDAC INC  
TORONTO, ONTARIO  
CANADA

YOUR CONNECTION TO QUALITY & SERVICE

THESE DRAWINGS AND SPECIFICATIONS  
ARE THE PROPERTY OF EDAC INC. AND  
SHALL NOT BE REPRODUCED OR COPIED  
OR USED AS THE BASIS FOR THE  
MANUFACTURE OR SALE OF APPARATUS  
WITHOUT WRITTEN PERMISSION.