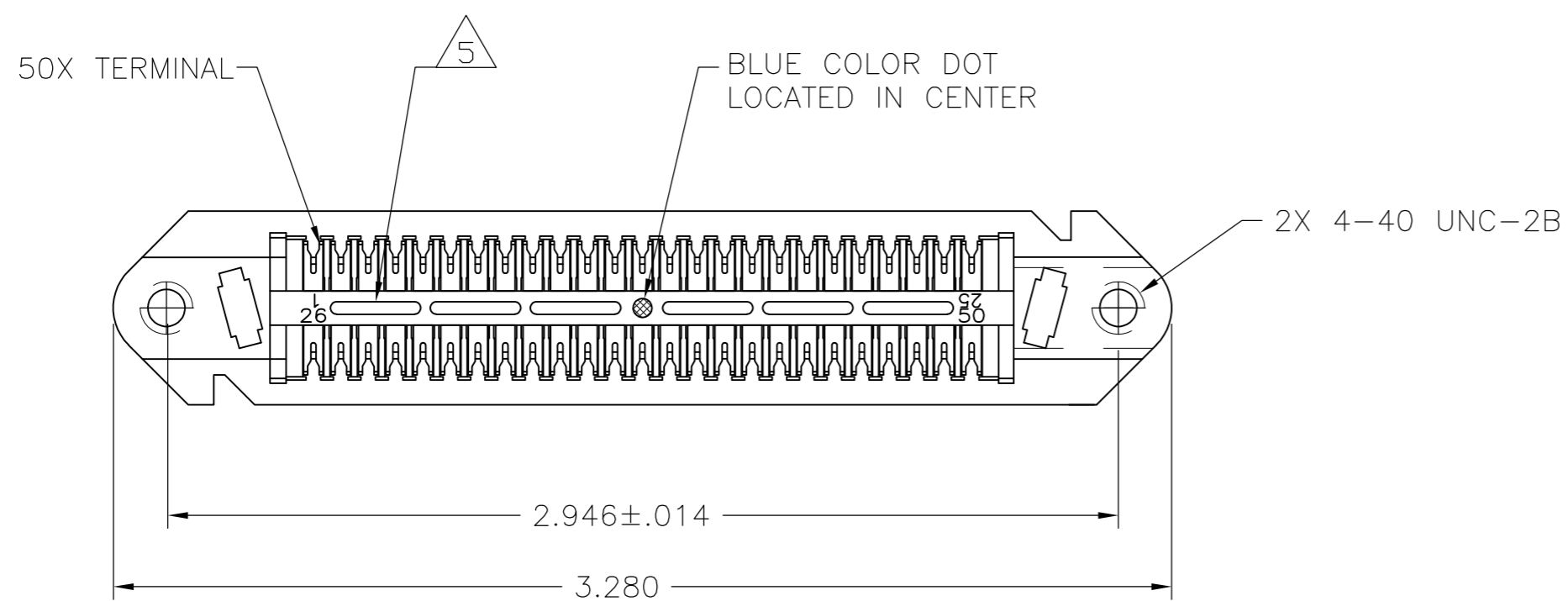


THIS DRAWING IS UNPUBLISHED. RELEASED FOR PUBLICATION
 © COPYRIGHT BY TYCO ELECTRONICS CORPORATION. ALL RIGHTS RESERVED.

LOC	DIST	REVISIONS					
GP	00	P	LTR	DESCRIPTION	DATE	DWN	APVD
		L		REVISED PER ECO-08-007327	05SEP08	BM	WM

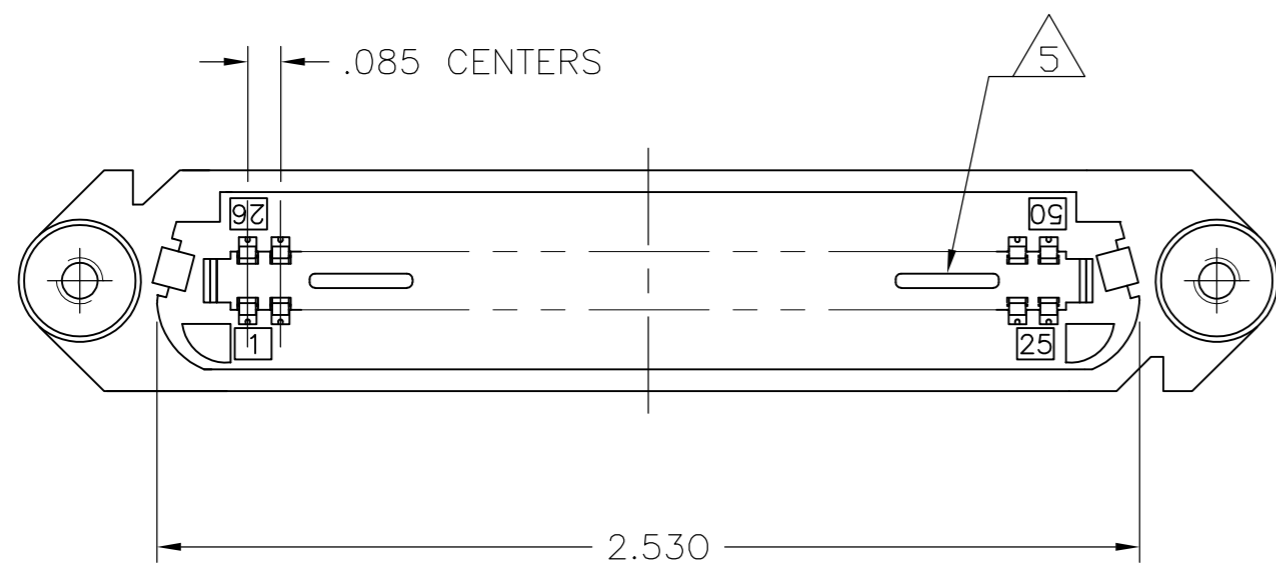
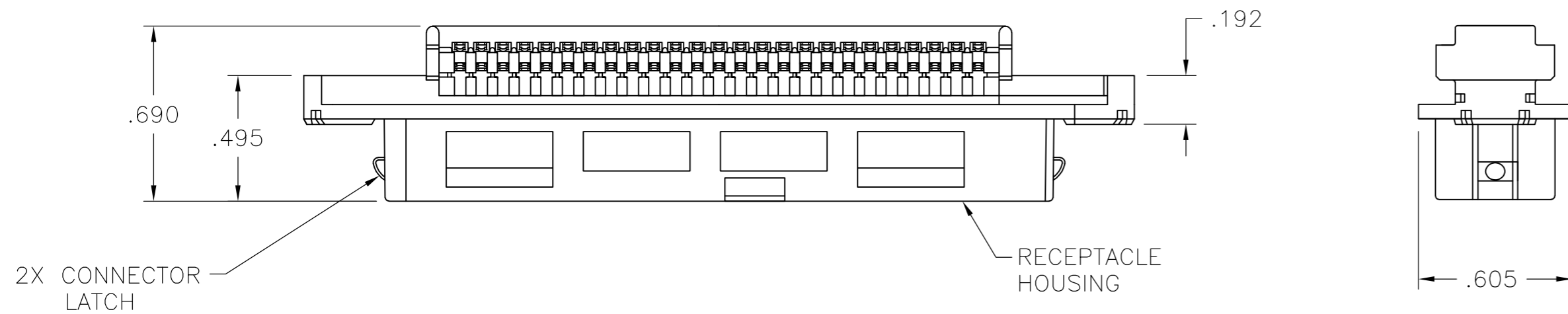


1. THE CONTACT SURFACES OF THE TERMINALS ARE COATED WITH LUBRICANT.
2. ALL DIMENSIONS SHOWN ARE MAXIMUM UNLESS OTHERWISE SPECIFIED.

△ 3 MATERIAL:
 HOUSING: POLYPHENYLENE, COLOR: SEE TABLE.
 TERMINAL - HIGH STRENGTH COPPER ALLOY PLATED WITH .000030 MIN GOLD OR GOLD FLASH OVER PALLADIUM NICKEL PLATE, .000030 MIN TOTAL ON MATING SURFACE. OVER .000050 MIN NICKEL PLATING.
 LATCH: ZINC PLATED CARBON STEEL.

4. WIRE SIZE: 24 & 26 AWG SOLID OR 24 AWG 7 STRANDS OF COPPER CONDUCTORS. MAXIMUM INSULATION DIAMETER OF .045 IS ACCEPTABLE FOR MOST APPLICATIONS.

△ 5 CORING MAY OR MAY NOT APPEAR AND IS AT THE DISCRETION OF AMP.



OBSOLETE	GRAY	553921-2
	BLACK	553921-1
	COLOR	PART NUMBER

THIS DRAWING IS A CONTROLLED DOCUMENT.		DWN J. POLIGNONE 09MAR06	Tyco Electronics Corporation Harrisburg, PA 17105-3608	
DIMENSIONS: INCHES		CHK W. MILLHIMES 09MAR06	NAME RECEPTACLE ASSEMBLY, 50 POSITION, B SLOT, CHAMP-LOK, WITH INTEGRAL LOCKING LATCH	
TOLERANCES UNLESS OTHERWISE SPECIFIED:		APVD W. MILLHIMES 09MAR06	SIZE A2	CAGE CODE 00779
0 PLC ± -		PRODUCT SPEC -	DRAWING NO C=553921	RESTRICTED TO -
1 PLC ± -		APPLICATION SPEC -	SCALE 2:1	SHEET 1 of 1
2 PLC ± -		WEIGHT -	REV L	
3 PLC ± -		CUSTOMER DRAWING		
4 PLC ± -				
ANGLES ± -				
FINISH △ 3				