

THIS DRAWING IS UNPUBLISHED. RELEASED FOR PUBLICATION 2010
 © COPYRIGHT 2010 BY TYCO ELECTRONICS CORPORATION. ALL RIGHTS RESERVED.

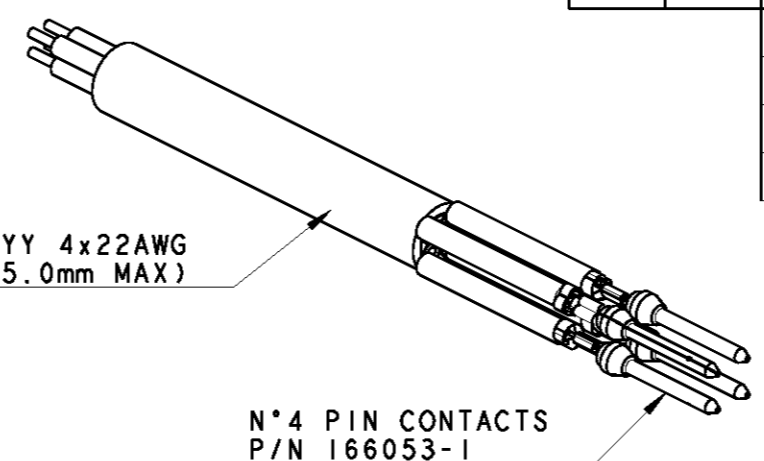
LOC	DIST	REVISIONS			
P	LTR	DESCRIPTION	DATE	DWN	APVD
1	-	A	FIRST ISSUE: DRAWING FOR U.S.A. VERSIONS	14MAY2010	D.C. G.T.
		AI	REVISED: CHANGED SALES CONDITIONS	30AUG2010	D.C. G.T.
		B	RELEASED FOR PRODUCTION	30NOV2010	D.C. G.T.



ASSEMBLED CONNECTOR

VOLTAGE: < 30V r.m.s. (42V PEAK)
 MAXIMUM CURRENT: 2A PER WAY (FULL LOADED)

CABLE LiYY 4x22AWG
 (INSULATION DIAMETER 5.0mm MAX)

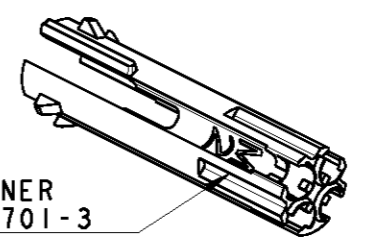


N°4 PIN CONTACTS
 P/N 166053-1



WIRE PREPARATION

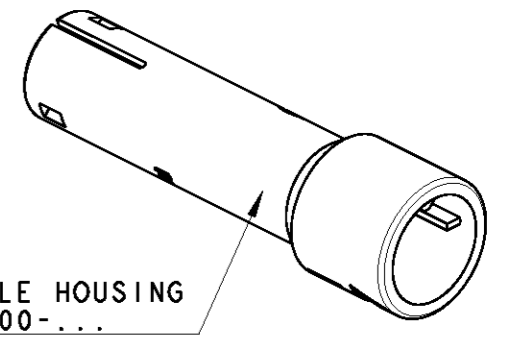
16.5 MAX
 STRIP DIM.



POSITIONER
 P/N 293701-3

MOUNTING OVERVIEW

CONTACTS MUST BE MOUNTED ON THE POSITIONER BEFORE TO INSERT THEM INTO THE HOUSING. MOUNTING SHALL BE ACCORDING TO THE TYCO ELECTRONICS APPLICATION SPEC. 114-20147.

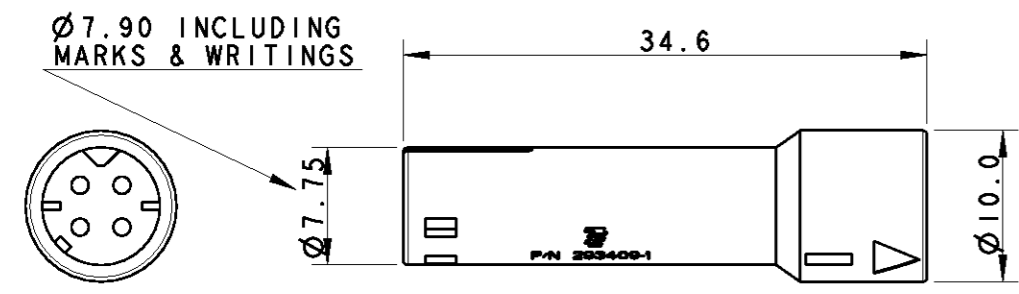


RECEPTACLE HOUSING
 P/N 293700-...

THE PRESENTED PRODUCT / DESIGN WILL BE RELEASED FOR THE MANUFACTURING OF THE NECESSARY PRODUCTION TOOLS HEREBY. FURTHER CHANGES HAS TO BE PAYED BY CUSTOMER.

 DATE, SIGN OF THE CUSTOMER

MALE HOUSING (N° 3 VERSIONS):
 - P/N 293700-1 (REV. B) IN WHITE COLOUR
 - P/N 293700-2 (REV. B) IN BLACK COLOUR
 - P/N 293700-3 (REV. B) IN GRAY COLOUR



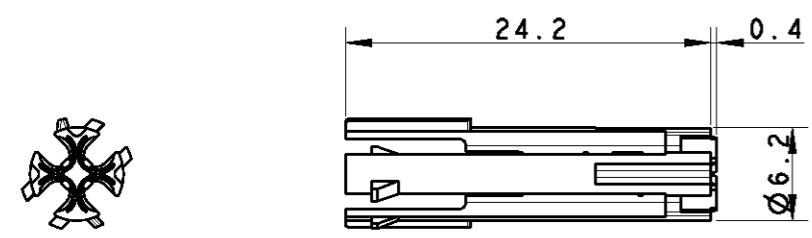
KEYING POLARIZATION FOR
 P/N 293700-1 (WHITE VERSION)
 AND FOR
 P/N 293700-2 (BLACK VERSIONS)

KEYING POLARIZATION FOR
 P/N 293700-3 (GRAY VERSION)

PACKAGING: N° 1500 PCS INTO CARTON BOX, ACCORDING TO PACKAGING SPEC. 107-20289.

MALE HOUSING P/N	POSITIONER P/N	PART NUMBER (KIT)	REV.
293700-3	293701-3	293703-3 (GRAY VERSION)	B
293700-2	293701-3	293703-2 (BLACK VERSION)	B
293700-1	293701-3	293703-1 (WHITE VERSION)	B

POSITIONER (N° 1 VERSION):
 - P/N 293701-3 (REV. B) IN GREY COLOUR



THIS DRAWING IS A CONTROLLED DOCUMENT FOR TYCO ELECTRONICS CORPORATION IT IS SUBJECT TO CHANGE AND THE CONTROLLING ENGINEERING ORGANIZATION SHOULD BE CONTACTED FOR THE LATEST REVISION.

DIMENSIONS:	TOLERANCES UNLESS OTHERWISE SPECIFIED:
mm	
0 PLC	±0.5
1 PLC	±0.3
2 PLC	±0.2
3 PLC	±
4 PLC	±
ANGLES	±
MATERIAL	FINISH
PLASTIC PARTS: PBT 15%GF	-

DWN	08APR2010
CHK	D. CHIARELLI
APVD	D. CHIARELLI
APVD	G. TURCO
PRODUCT SPEC	108-20309
APPLICATION SPEC	114-20147
WEIGHT	-
CUSTOMER DRAWING	

Tyco Electronics		Tyco Electronics AMP Italia S.r.l. C.so F.lli Cervi, 15 - Collegno (TO)	
NAME 4 POS. LOW VOLTAGE, FREE HANGING, MALE CONNECTOR FOR U.S.A. MARKET			
SIZE	CAGE CODE	DRAWING NO	RESTRICTED TO
A3	00779	C-293703	-
SCALE 2:1		SHEET 1	OF 1
		REV	B