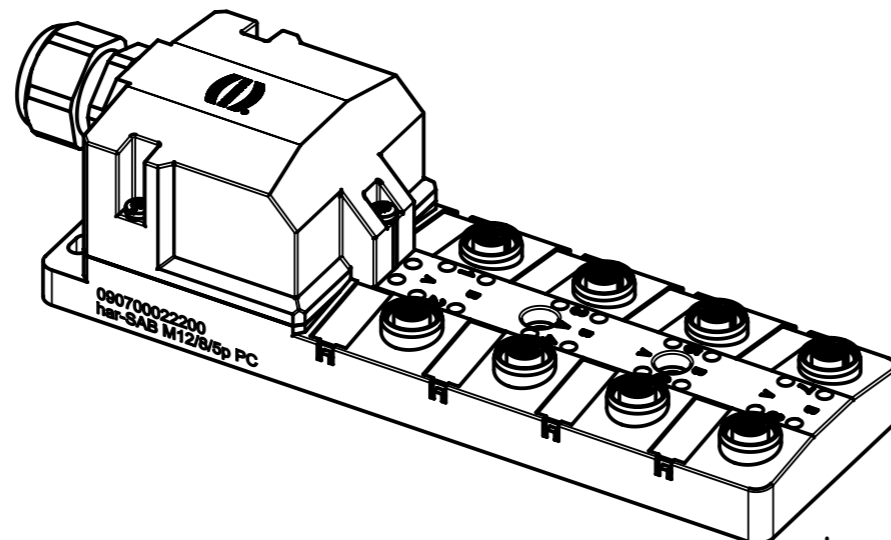


Electrical data:  
 -Rated voltage: 10-30V DC  
 -Nominal: 2 A per Contact  
 -Current: 12 A max total

- Protection level: IP 68  
 - Temperature range: -20°C...+80°C



	All Dimensions in mm	Tech. Character.		Free size tol.		According to production drawing	
	All rights reserved Department HCS - RO	Created by MUNTEANV	Inspected by COSTEA	Standardisation AVRAM	Date 2017-06-15	State Final Release	
HARTING Customised Solutions D-32427 Minden		Title har-SAB M12/8/5p PC			Doc-Key / ECM-Nr. 100689728/UGD/000/D 500000120947		
		Type TB	Number 090700022200		Rev. D	Page 1/1	