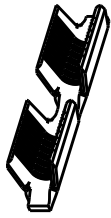
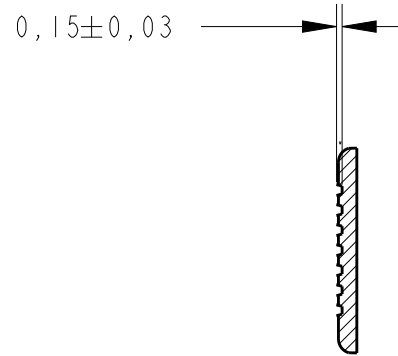
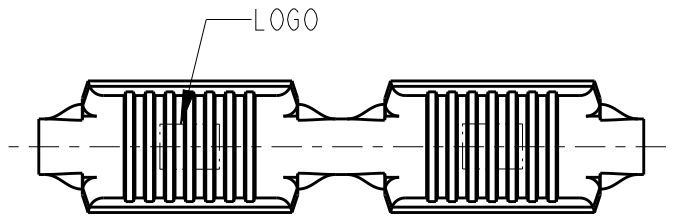


REVISIONS

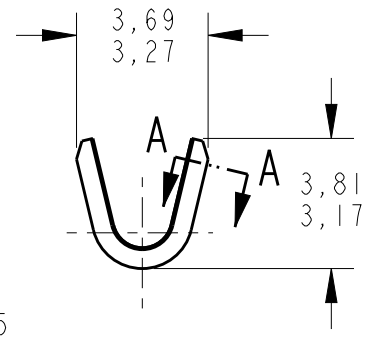
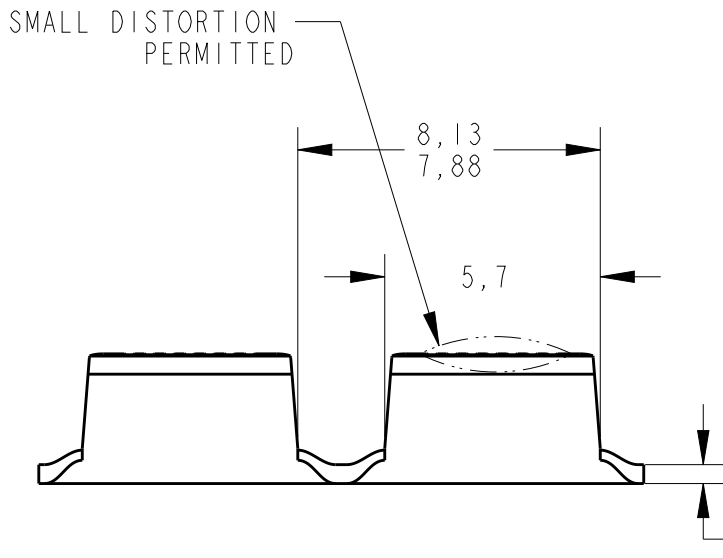
P	LTR	DESCRIPTION	DATE	DWN	APVD
	R2	REDRAWN AND REVISED BY ECO 16-010925	25JULY2016	HC	WLS



SCALE 2:1



SECTION A - A



0,50±0,05

⚠ -NOT FOR USE WITH ALUMINUM MAGNET WIRE,
USE WITH COPPER MAGNET WIRE ONLY.

WIRE RANGE
600-3000 CMA

TIN-PLATED	BRASS	280005-2
—	BRASS	280005-1 ⚠
FINISH	MATERIAL	PART NUMBER

THIS DRAWING IS UNPUBLISHED.
 ALL RIGHTS RESERVED.
 © COPYRIGHT copyright_date

DIMENSIONS:	
mm	
TOLERANCES UNLESS OTHERWISE SPECIFIED:	
0 PLC	±-
1 PLC	±0,2
2 PLC	±0,4
3 PLC	±-
4 PLC	±-
ANGLES	±-

DWN	H.C. CANTERI	20JAN2015
CHK	W.L. STEFANI	22JAN2015
APVD	-	-
PRODUCT SPEC	-	-
APPLICATION SPEC	-	-
WEIGHT	-	-
CUSTOMER DRAWING		

MATERIAL	-	FINISH	-
NAME AMPLIVAR SPLICE			
SIZE	A 4	DRAWING NO	C-280005
CAGE CODE		RESTRICTED TO	-
SCALE 5:1		SHEET 1 OF 1	REV R2