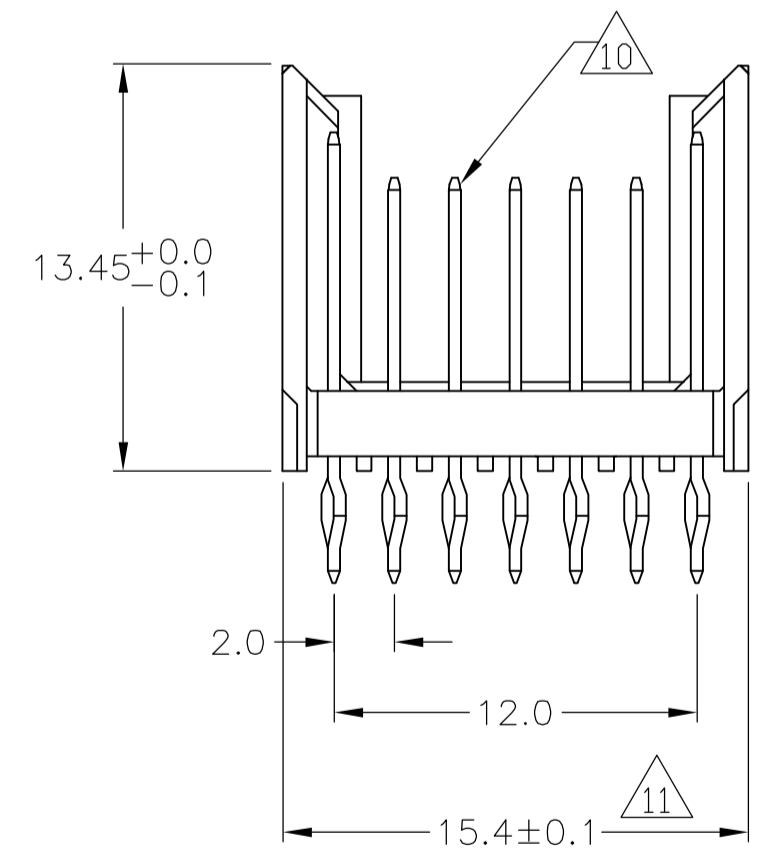
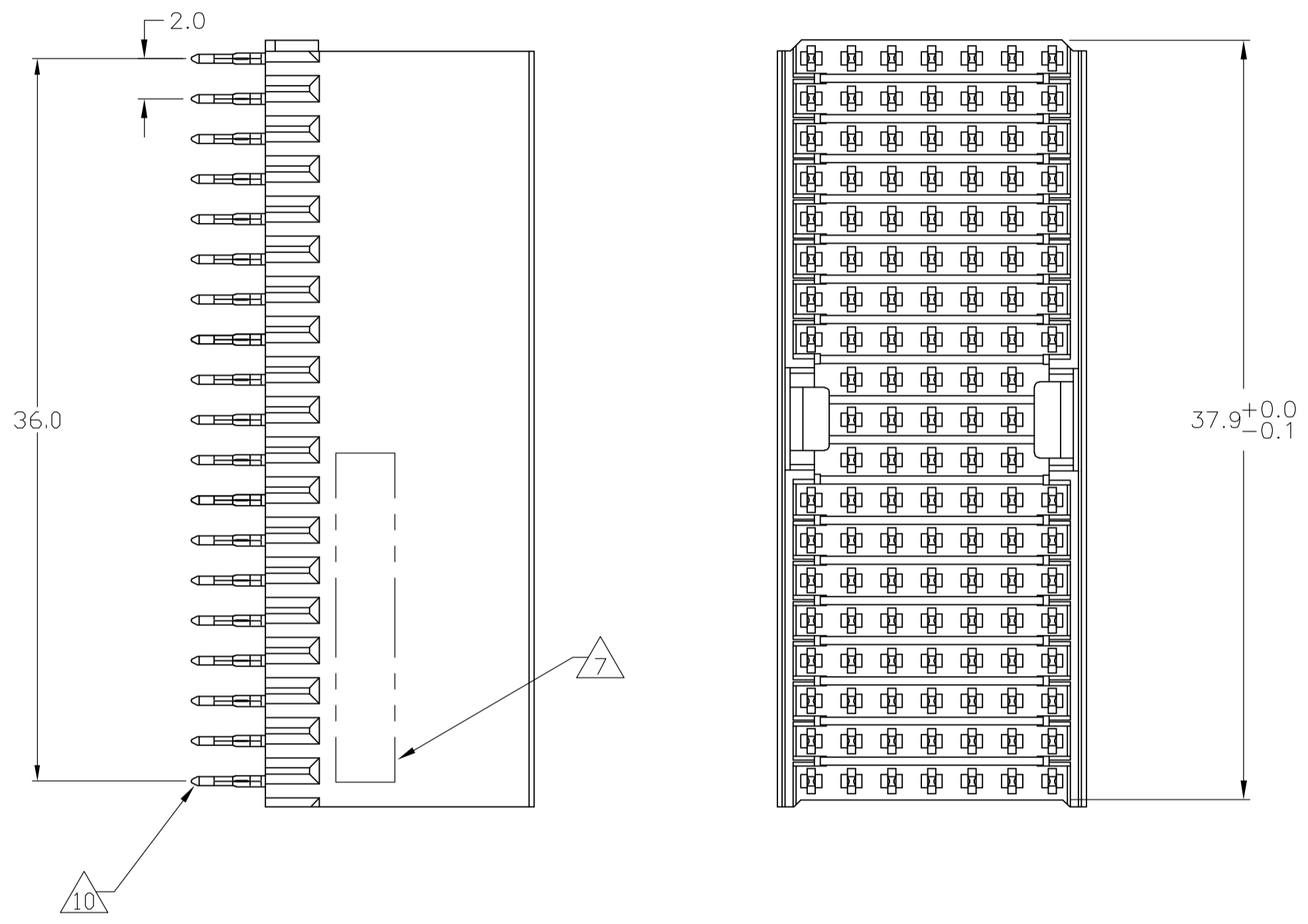
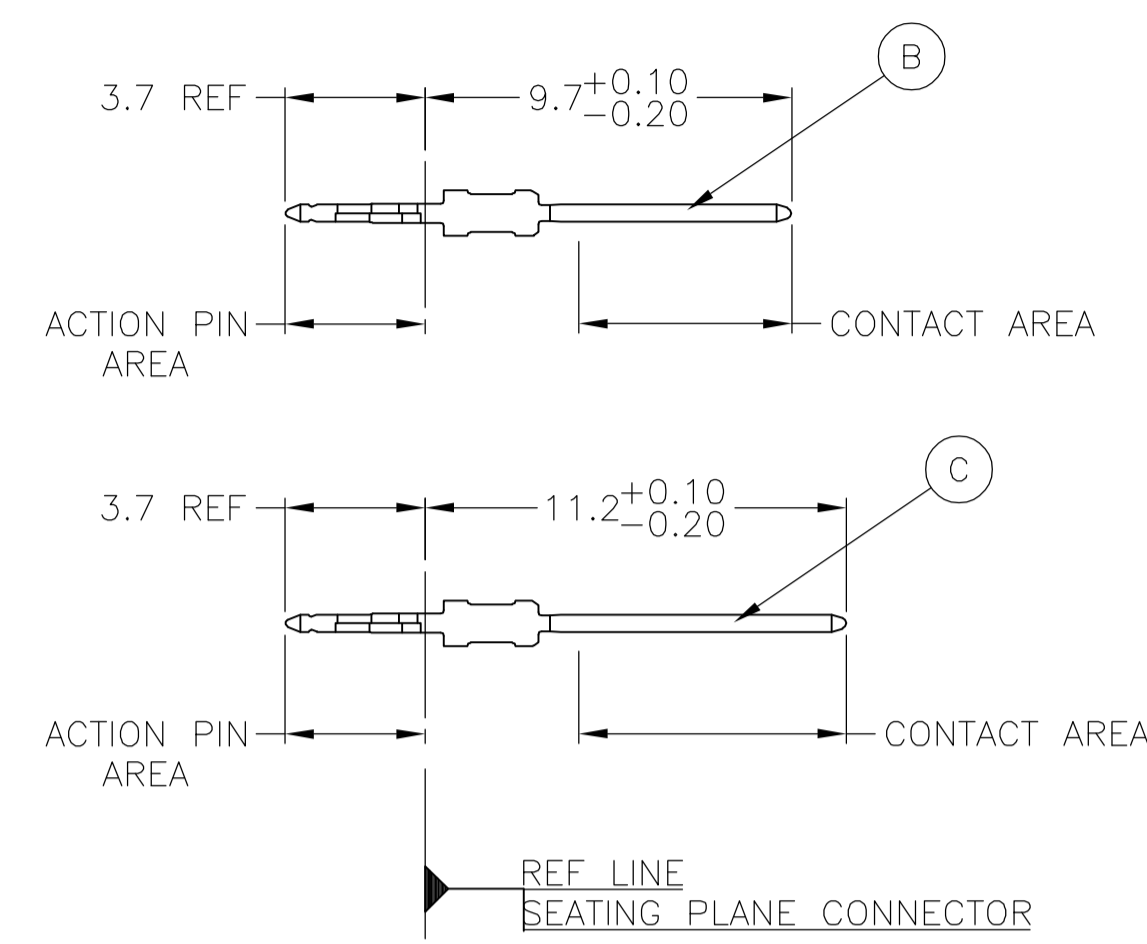


LOC		DIST		REVISIONS					
AD	00	REV	PER	EC	OS12-0318-04	DATE	DWN	APVD	
		0	REV	PER	EC	OS12-0318-04	29JUL05	BC	GS

CONNECTOR ASSEMBLY
 EXAMPLARY LOADED



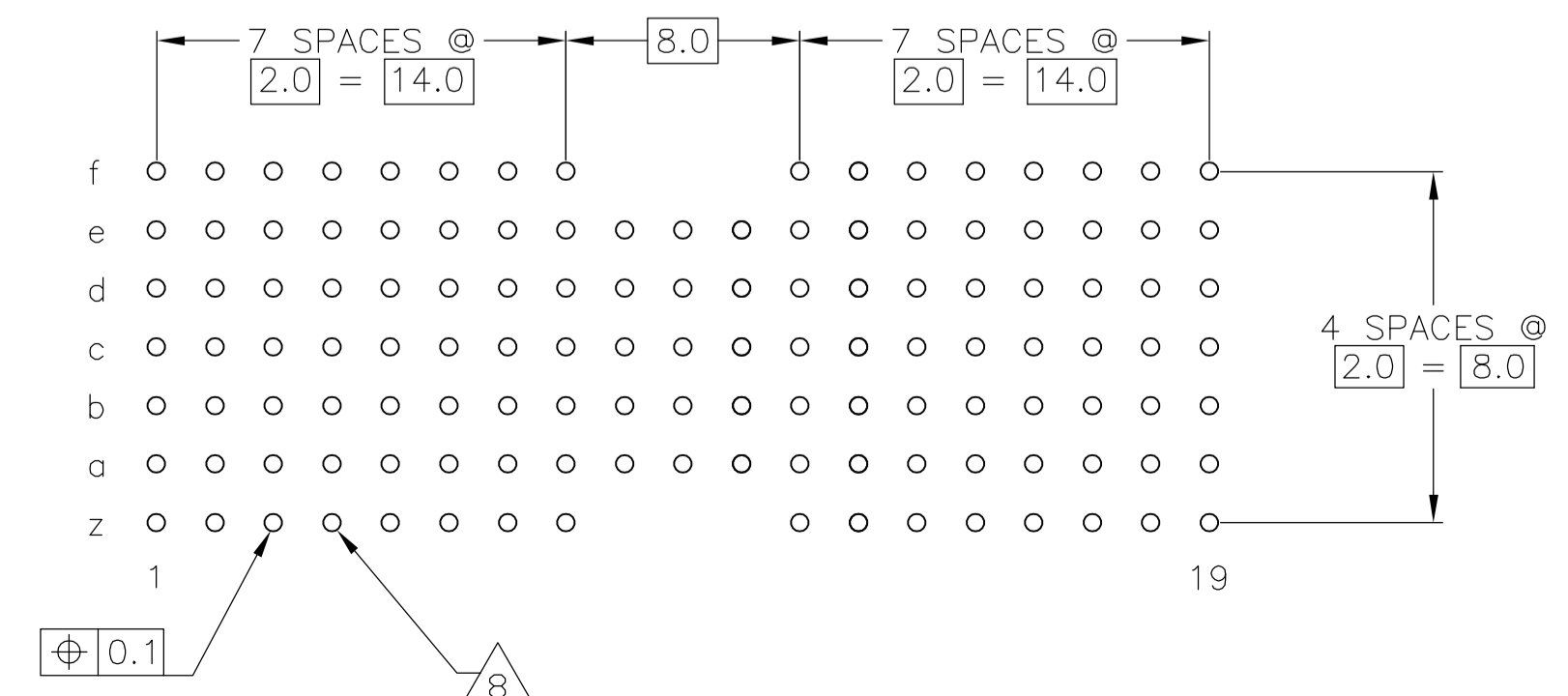
CONTACT DIMENSIONS
 SCALE 5:1



CONTACT LAYOUT

	z	a	b	c	d	e	f
1	C	B	B	B	B	B	C
2	C	B	B	B	B	B	C
3	C	B	B	B	B	B	C
4	C	B	B	B	B	B	C
5	C	B	B	B	B	B	C
6	C	B	B	B	B	B	C
7	C	B	B	B	B	B	C
8	C	B	B	B	B	B	C
9		B	B	B	B	B	
10		B	B	B	B	B	
11		B	B	B	B	B	
12	C	B	B	B	B	B	C
13	C	B	B	B	B	B	C
14	C	B	B	B	B	B	C
15	C	B	B	B	B	B	C
16	C	B	B	B	B	B	C
17	C	B	B	B	B	B	C
18	C	B	B	B	B	B	C
19	C	B	B	B	B	B	C

RECOMMENDED PCB-HOLE LAYOUT
 COMPONENT SIDE SHOWN



PLATED THRU HOLES PARAMETERS
 REFERENCE APPLICATION SPECIFICATION

2 6 12	1-5646532-9
2 5 12	5646532-9
2 4 4	5646532-4
2 3 3	5646532-1
FINISH	PART NUMBER

THIS DRAWING IS A CONTROLLED DOCUMENT.

DIMENSIONS: mm	TOLERANCES UNLESS OTHERWISE SPECIFIED:	DIN B CARBO 29JUL05	29JUL05	tyco Electronics	Tyco Electronics Corporation Harrisburg, Pa 17105-3608
0 PLC ± -	1 PLC ± 0.1	CHK G SKIPPER 29JUL05	29JUL05	NAME G SKIPPER	MALE ASSEMBLY, Z-PACK 2mm HM, TYPE A/B
2 PLC ± -	3 PLC ± -	APVD G SKIPPER 29JUL05	29JUL05	PRODUCT SPEC	108-19082
4 PLC ± -	ANGLES ± ±	APPLICATION SPEC	114-19029	SIZE	A1
MATERIAL 1	FINISH SEE TABLE	WEIGHT	-	CAGE CODE	00779
		CUSTOMER DRAWING		DRAWING NO	5646532
				RESTRICTED TO	-
				SCALE	4:1
				SHEET	1 OF 2
				REV	0

THIS DRAWING IS UNPUBLISHED. RELEASED FOR PUBLICATION
COPYRIGHT BY TYCO ELECTRONICS CORPORATION. ALL RIGHTS RESERVED.

LOC		DIST		REVISIONS			
AD	00	REV	DATE	BY	APP'D	DATE	BY
-	-	1	SEE SHEET 1	-	-	-	-

- 1 MATERIAL:
CONTACT: PHOSPHOR BRONZE.
HOUSING: GLASS-FILLED POLYESTER.
- 2 GENERAL PLATING SPECIFICATION: UNDERPLATING
(ENTIRE CONTACT): 1.27µm MIN NICKEL AND ACTION
PIN: 0.5µm MIN TIN.
FOR PLATING OF MATING SURFACES SEE APPLICABLE
SPECIFICATION REFERENCE FOR EACH DASH NUMBER.
- 3 CONFORMS TO ALL TESTING ACCORDING TO IEC 61076-4-101
PERFORMANCE LEVEL 2.
- 4 CONFORMS TO ALL TESTING ACCORDING TO IEC 61076-4-101
PERFORMANCE LEVEL 1.
- 5 CONNECTOR TESTED AND QUALIFIED AGAINST TELCORDIA GR-1217-CORE QUALITY LEVEL 3,
CENTRAL OFFICE APPLICATIONS.
- 6 CONNECTOR TESTED AND QUALIFIED AGAINST TELCORDIA GR-1217-CORE QUALITY LEVEL 3,
UNCONTROLLED ENVIROMENT APPLICATIONS.
- 7 CONNECTOR MARKED WITH PART NUMBER AND DATE CODE.
ADDITIONAL CHARACTERS OR MARKINGS, AS WELL AS THE LOCATION OF THE MARKINGS,
MAY BE ADDED FOR TRACEABILITY BASED UPON MANUFACTURERS DISCRETION.
- 8 PLATED-THROUGH HOLES AT 2x2mm SQUARE GRID
PATTERN DEFINED BY CONTACT LAYOUT.
- 9 FOR ACTUAL PIN LOADING SEE "CONTACT LAYOUT".
- 10 FOR ACTUAL PIN DIMENSIONS SEE "CONTACT DIMENSIONS".
- 11 TO BE MEASURED AT BOTTOM OF SHROUD.
- 12 CONNECTOR LUBRICATED WITH BELCORE APPROVED LUBRICANT,
TECHNICAL REFERENCE: TR-NWT-001217 ISSUE 1, SEP 1992.

THIS DRAWING IS A CONTROLLED DOCUMENT.		DWG B. CARBO	29JUL05	tyco Electronics	Tyco Electronics Corporation Harrisburg, Pa 17105-3608						
		CHK G. SKIPPER	29JUL05								
DIMENSIONS: mm		TOLERANCES UNLESS OTHERWISE SPECIFIED:		NAME							
		0 PLC	± -	PRODUCT SPEC							
		1 PLC	± 0.1	108-19082							
		2 PLC	± -	APPLICATION SPEC							
		3 PLC	± -	114-19029							
MATERIAL SEE SHEET 1		FINISH SEE SHEET 1		WEIGHT	-	RESTRICTED TO					
CUSTOMER DRAWING				SIZE	A1	CAGE CODE	00779	DRAWING NO	C=5646532	REV	-
				SCALE	4:1	SHEET	2	OF	2	REV	0