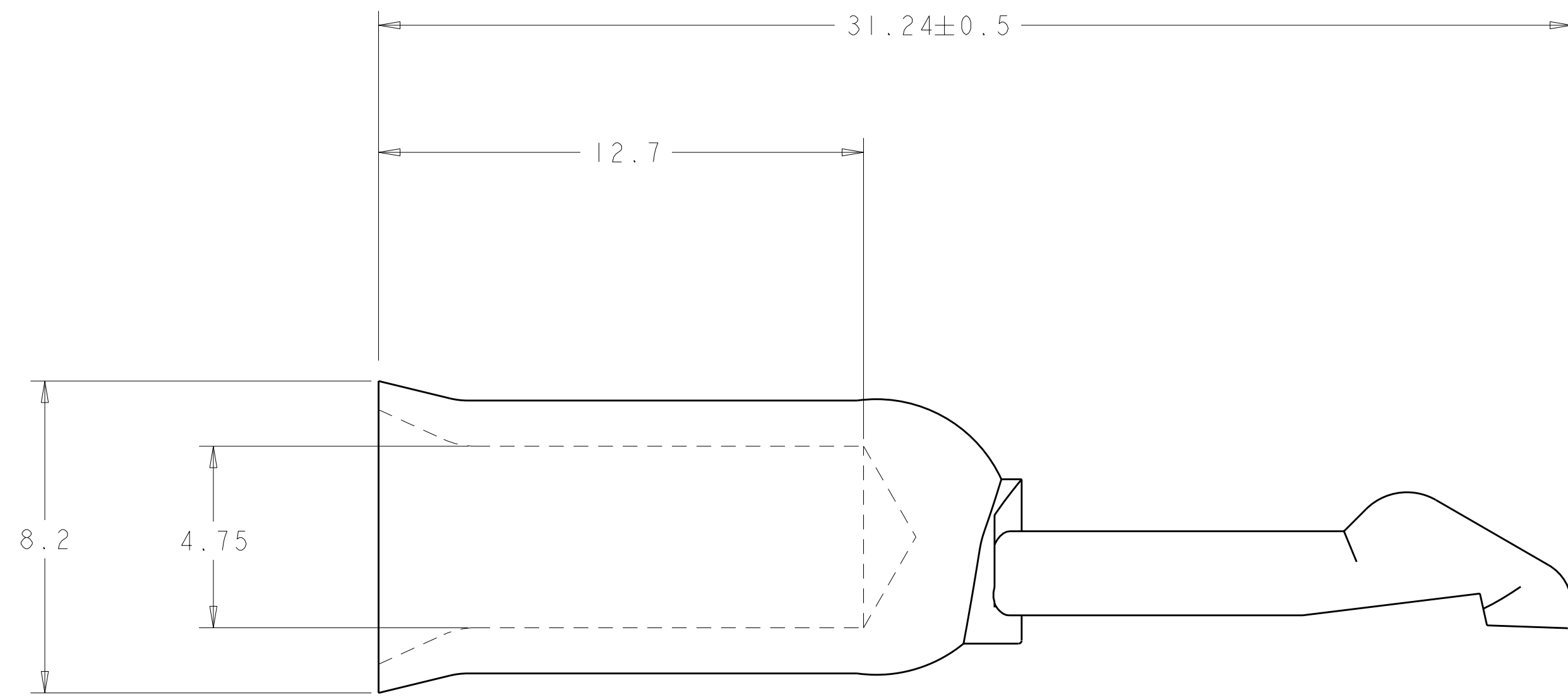
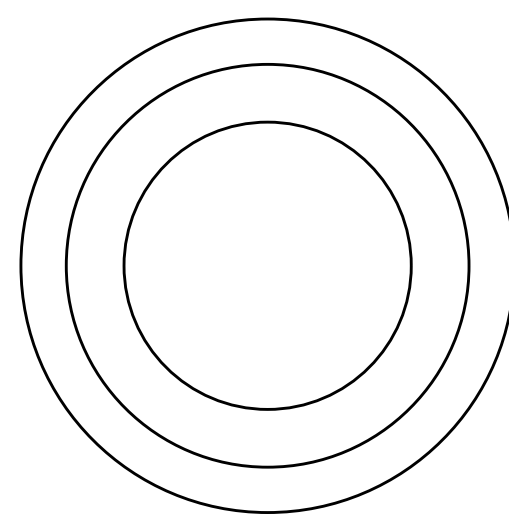
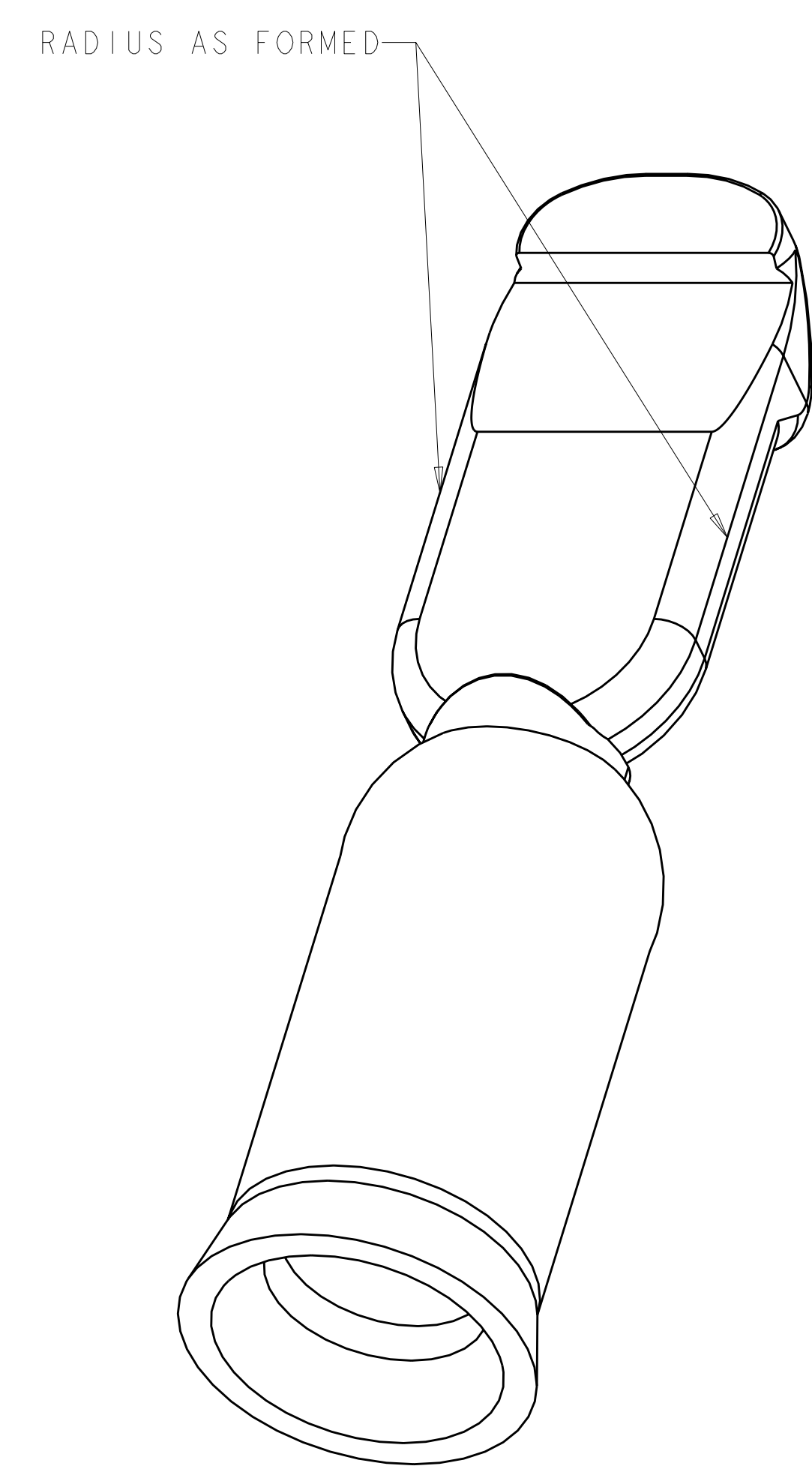
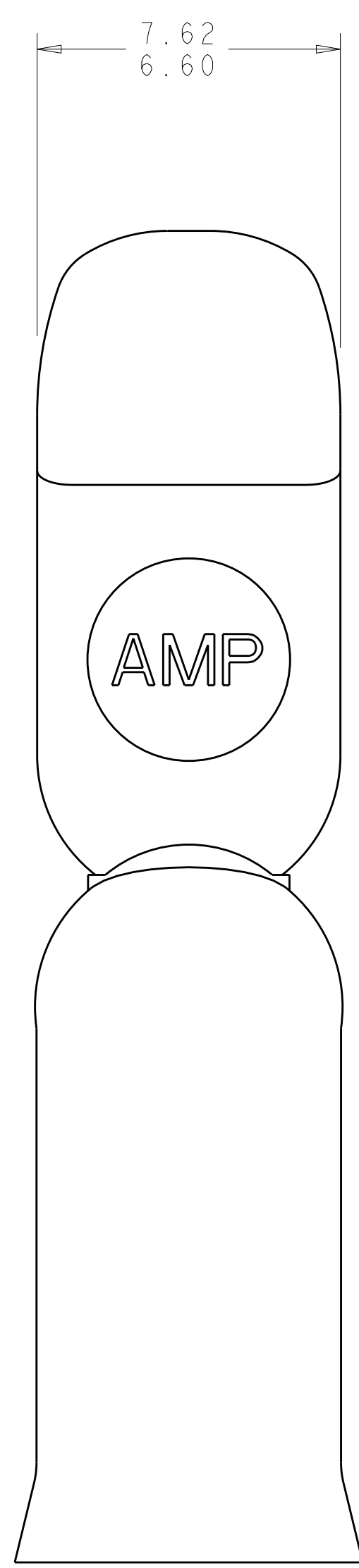


LOC	DIST	REVISIONS			
CM	00	REV	DATE	BY	APPD
		A	12-DEC-03	KW	JE
		B	15APR2008	KW	SR
		BI	23JUL2008	HMR	SR



1. MATERIAL: COPPER
2. PLATING: SILVER
3. THIS PRODUCT HAS PASSED VERIFICATION AND AGENCY APPROVALS TESTING AND IS COMPONENT RECOGNIZED PER UL 1977 AND CSA 22.2. TYCO ELECTRONICS PRODUCT QUALIFICATION TESTING IS NOT YET COMPLETE.

**METRIC**

647878-1  
PART NO

<small>THIS DRAWING IS UNPUBLISHED. RELEASED FOR PUBLICATION BY TYCO ELECTRONICS CORPORATION. ALL RIGHTS RESERVED.</small>		DWN: K. WHITAKER 05-FEB-04 CHK: J. ELLIS 05-FEB-04 APVD: J. ELLIS 05-FEB-04	Tyco Electronics Harrisburg, PA 17105-3608
DIMENSIONS: mm 	TOLERANCES UNLESS OTHERWISE SPECIFIED: 0 PLC ± 1 PLC ±0.13 2 PLC ± 3 PLC ± 4 PLC ± ANGLES ±5	NAME: CONTACT, 8 AWG, AMP POWER SERIES 50 / 75 PRODUCT SPEC: APPLICATION SPEC: WEIGHT: FINISH:	SIZE: A1 CAGE CODE: 00779 DRAWING NO: 647878 RESTRICTED TO:
MATERIAL: -		CUSTOMER DRAWING	
		SCALE: 8:1	SHEET 1 OF 1 REV: BI