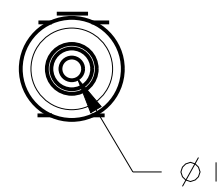
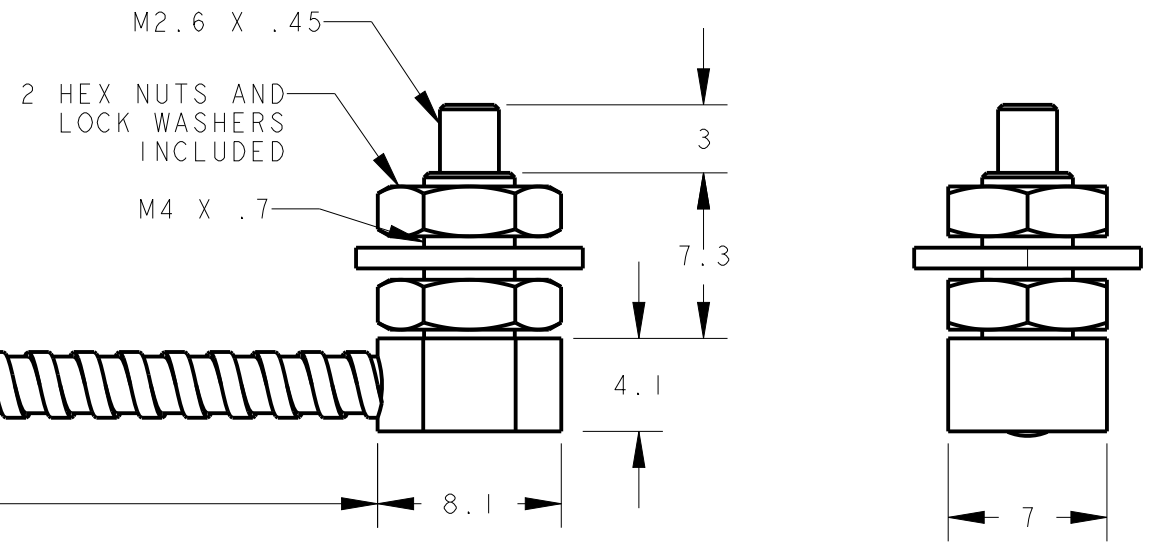
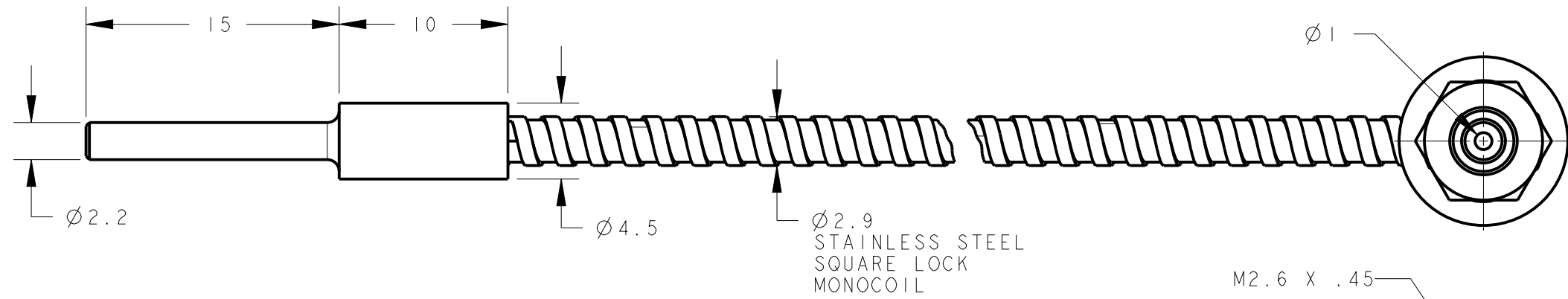


MODEL NO.	"L"	P/N
PIAT46TSL5TA-VL	2000	93951
PIAT43TSL5TA-VL	1000	93950

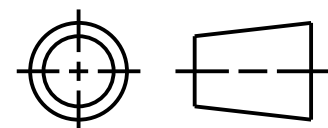


This drawing is the property of BANNER ENGINEERING CORP. and is proprietary in general and in detail. Its contents shall not be revealed to outside parties without written consent of BANNER.



BANNER ENGINEERING CORP.  
 P.O. BOX 9414  
 MINNEAPOLIS, MN 55440

THIRD ANGLE PROJECTION



TITLE

**PIAT4 VANTAGE LINE SERIES TERMINATED S.S SHEATHED**

SIZE B	DRAWING NO. <b>184513</b>	REV. <b>A</b>
-----------	------------------------------	------------------

SCALE 3:1	SHEET 1 OF 1
--------------	-----------------

- NOTES:  
 1. ALL DIMENSIONS ARE MILLIMETERS [INCHES] UNLESS OTHERWISE NOTED.  
 2. OPERATING TEMPERATURE  $-55^{\circ}\text{C} \sim +70^{\circ}\text{C}$ .  
 3. MINIMUM BEND RADIUS R25.