

4

3

2

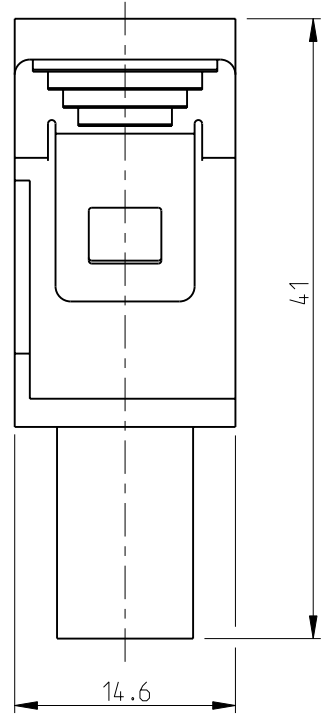
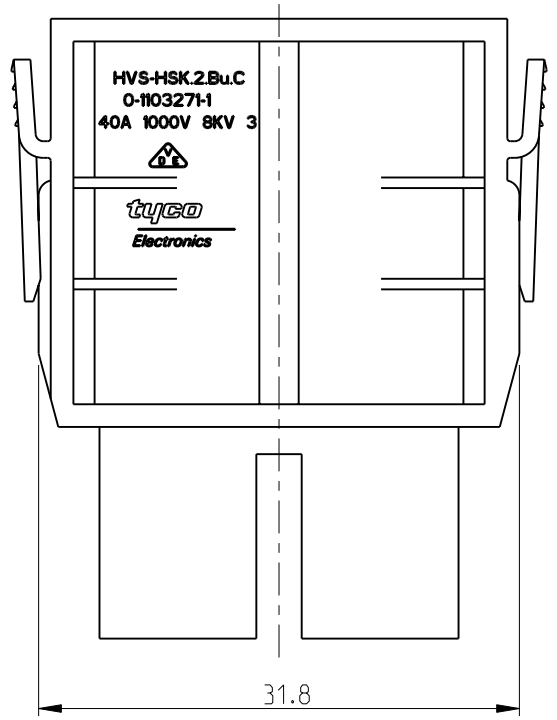
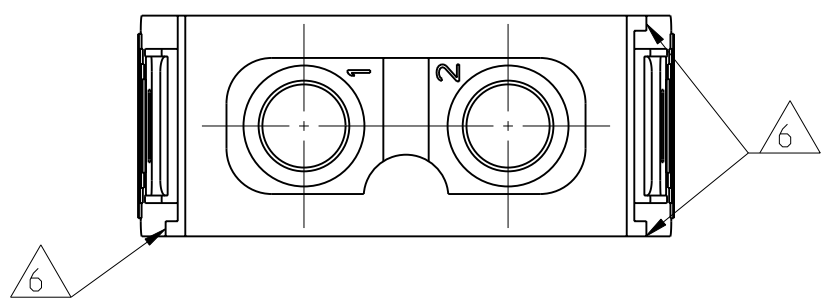
1

THIS DRAWING IS UNPUBLISHED. RELEASED FOR PUBLICATION 2000  
 © COPYRIGHT 2000 BY TYCO ELECTRONICS CORPORATION. ALL RIGHTS RESERVED.

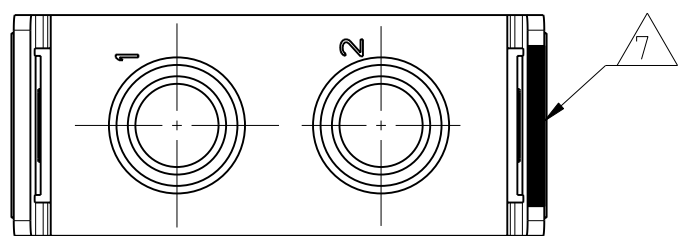
LOC	DIST	REVISIONS			
P	LTR	DESCRIPTION	DATE	DWN	APVD
	C1	ECR-10-023156	11NOV2010	SR	OH

PN 0-1 As Shown

Contact arrangement view from connecting side



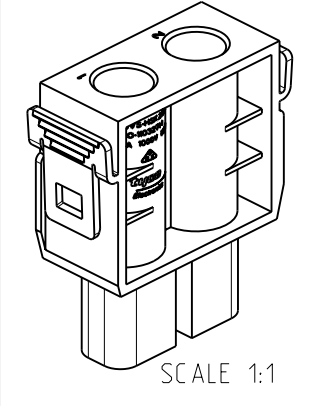
Contact arrangement view from termination side



NOTES

- 1 SUITABLE CRIMP CONTACTS: SERIES HSK  
CUSTOMER DRAWING: 1108756  
OUTER DIMENSIONS OF INSULATION: MAX. Ø8mm
- 2 SUITABLE MODULE FIXING FRAME: SERIES HVS SIZE 3 TO 8  
CUSTOMER DRAWING: 1103250
- 3 SUITABLE INSERTION TOOL:  
CUSTOMER DRAWING: 1102855
- 4 SUITABLE EXTRACTION TOOL:  
CUSTOMER DRAWING: 1102855
- 5 STANDARDS:  
DIN EN 61984; DIN EN 60664-1
- 6 POLARIZATION RIPS
- 7 MARKING OF POLARIZATION ACCORDING TO MARKING OF MODULE FRAME
- 8 PACKAGING:  
10 PIECES IN A CARTON

PN 0-1 As Shown



1	DESCRIPTION	MATERIAL	COLOR	ITEM NO
0-1	FEMALE INSERT	PC-GF20	LYGHT GREY	1
HVS-HSK.2.BU.C				

THIS DRAWING IS A CONTROLLED DOCUMENT FOR TYCO ELECTRONICS CORPORATION IT IS SUBJECT TO CHANGE AND THE CONTROLLING ENGINEERING ORGANIZATION SHOULD BE CONTACTED FOR THE LATEST REVISION.		DWN 20.02.2006 SCHNEIDER		Tyco Electronics AMP GmbH 53757 Sankt Augustin, Germany	
DIMENSIONS: mm		TOLERANCES UNLESS OTHERWISE SPECIFIED: ISO 8075 DIN ISO 2768 mH-E DIN 16901-120		CHK 20.02.2006 A.GAST	
		0 PLC ± 1 PLC ± 2 PLC ± 3 PLC ± 4 PLC ± ANGLES ±		APVD 20.02.2006 T.SCHNURPFIL	
MATERIAL		FINISH		NAME FEMALE INSERT ASSY HVS-HSK.2.BU.C	
				PRODUCT SPEC 108-74081	
				APPLICATION SPEC 114-74083	
				WEIGHT 0.008 kg	
CUSTOMER DRAWING				RESTRICTED TO	
SCALE 2:1				SIZE A3 CAGE CODE 00779 DRAWING NO C=1103271	
				SHEET 1 OF 1 REV C1	